



Color:  Ivory

UPC Code: 07847736393

Country Of Origin: Mexico

NEMA:  
5-20R



## M8300-SGI

### Item Description

Lev-Lok Duplex Receptacle Outlet, Extra Heavy-Duty Hospital Grade, Tamper-Resistant, Smooth Face, 20 Amp, 125 Volt, Modular, NEMA 5-20R, 2-Pole, 3-Wire, Self-Grounding - Ivory

**Mating Lev-Lok Wiring Module Required for Use**

### Technical Information

#### AC Horsepower Ratings

**Horsepower Rating:** 1 HP

#### Electrical Specifications

**Amperage:** 20 Amp

**Current Interrupting:** Certified for current interrupting at full rated current

**Dielectric Voltage:** Withstands 2000V per UL498

**Grounding:** Self-Grounding

**Maximum Working Voltage:** 125V as rated

**Pole:** 2-Pole

**Temperature Rise:** Max 30C after 250 cycles OL at 200 percent rated current

**Voltage:** 125 Volt

**Wire:** 3-Wire

#### Environmental Specifications

**Flammability:** Rated V-2 per UL94

**Operating Temperature:** -40C to 60C

#### Material Specifications

**Base Material:** Nylon

**Bushing:** Solid Brass

**Cover Material:** Nylon

**Ground Clips:** Nickel-Plated Brass

**Line Contacts:** 0.040" Thick Solid Brass

**Locking Pins:** Solid Brass

**Mounting Screws:** Triple Combination Head, Steel

**Mounting Strap:** Single Piece Nickel-Plated Brass with integral ground contact

**Shutter Mechanism:** Delrin® Acetal

#### Mechanical Specifications

**Product ID:** Ratings are permanently marked on device

**Termination:** Modular

#### Product Features

**Brand:** Lev-Lok

**Color:** Ivory

**Device Type:** Duplex Receptacle Outlet

**Grade:** Extra Heavy-Duty Hospital Grade

**NEMA:** 5-20R

#### Standards and Certifications

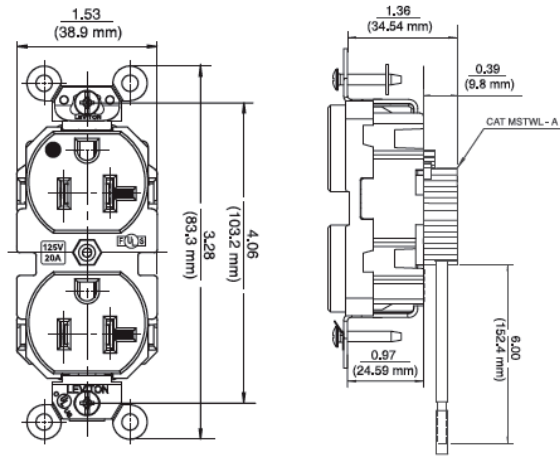
**ANSI:** C-73

**cULus:** Listed

**NEMA:** WD-1 & WD-6

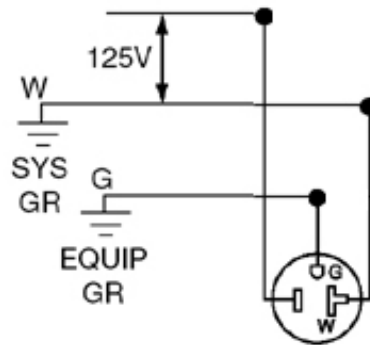
**NOM Certified:** 057

**Warranty:** 10 Year Limited



Tamper-Resistant

### Wiring Diagram



5-20R

### SPECIFICATION SUBMITTAL

JOB NAME:	CATALOG NUMBERS:	
<input type="text"/>	<input type="text"/>	<input type="text"/>
JOB NUMBER:	<input type="text"/>	<input type="text"/>

#### Leviton Manufacturing Co., Inc.

201 North Service Road, Melville, NY 11747

Teléfono: +1-800-323-8920 · FAX: +1-800-832-9538 · Tech Line (8:30AM-7:30PM E.S.T. Monday-Friday): +1-800-824-3005

#### Leviton Manufacturing of Canada, Ltd.

165 Hymus Boulevard, Pointe Claire, Quebec H9R 1E9 · Telephone: +1-800-469-7890 ·

FAX: +1-800-824-3005 · www.leviton.com/canada

#### Leviton S. de R.L. de C.V.

Lago Tana 43, Mexico DF, Mexico CP 11290 · Tel.: (+52)55-5082-1040 · FAX: (+52)5386-

1797 · www.leviton.com.mx

Visit our Website at: [www.leviton.com](http://www.leviton.com)

© 2018 Leviton Manufacturing Co., Inc. Todos los derechos reservados. Subject to change without notice.

#### Leviton has a global presence.

If you would like to know where your local Leviton office is located please go to:

[www.leviton.com/international/contacts/](http://www.leviton.com/international/contacts/)

