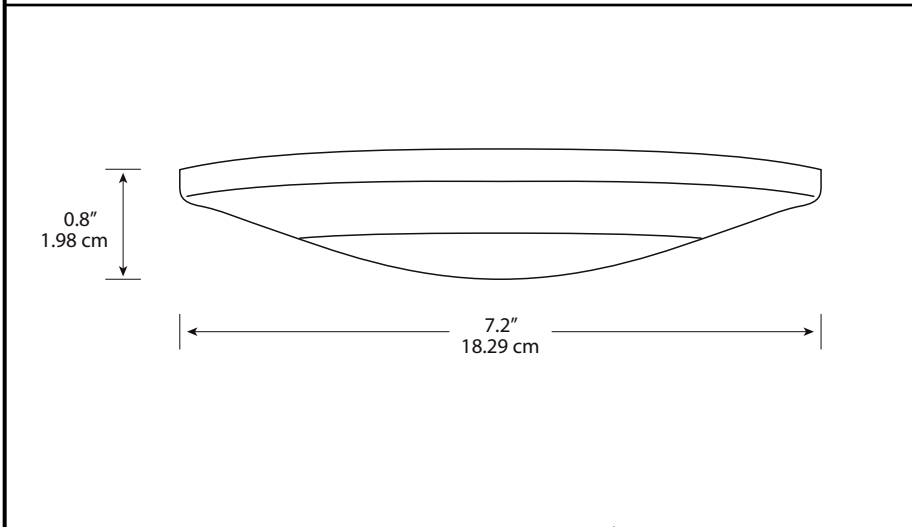


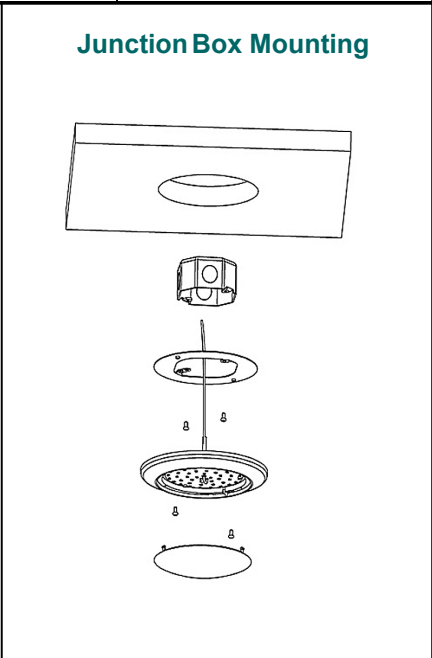
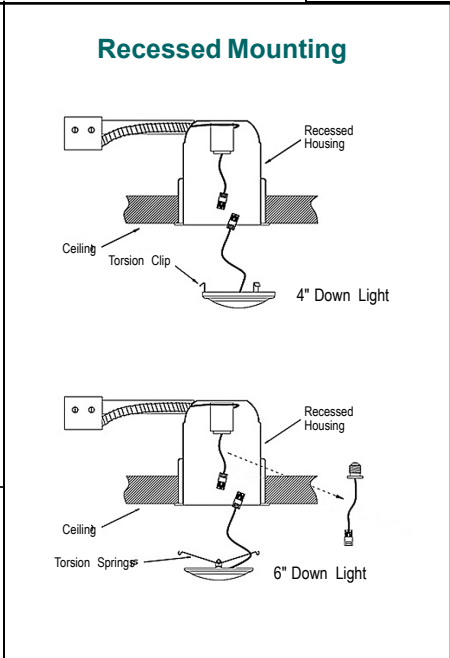
Surface/Recessed LED Down Light is a simple yet beautiful solution for flush mount and recessed applications without requiring the use of a recessed can.



Specifications	
Power Consumption	15W
LEDs	Epistar
LED Life	50,000 hours
CCT	2700K– 4000K
Lumens	1000
CRI	90+
Dimmable	Yes
Construction	Die cast aluminum, white polycarbonate lens
Appearance Size	7.2" W x 0.8" D (18.29 cm W x 1.98 cm D)

- ### Features
- 120V AC source, no driver needed
  - Installs easily on standard ceiling junction box with included hardware
  - Included mounting springs allow existing recessed cans to be retrofitted
  - Die cast aluminum trim routes heat away from electrical components
  - White polycarbonate diffuser eliminates hot spots creating uniform light distribution
  - Wet location listed suitable for virtually any application
  - Suitable for use in IC or NON-IC Applications 90+ CRI, the absolute best in the industry
  - Dimmable to 5% with most standard dimmers
  - Approved by ETL Standards for Canada and USA
  - Energy Star / T24 Compliant
  - 5 year warranty

- ### Applications
- Lobbies
  - Hallways
  - Banquet halls
  - Elevators
  - Stairways
  - Retail
  - Restaurants
  - Residential



### Ordering Code:

DL- 6 - 15D  -

**Color Temperature**  
 27 = 2700K  
 30 = 3000K  
 40 = 4000K

**Trim Color**  
 WH = White  
 RB = Rubbed Oil Bronze  
 SN = Satin Nickel

#### Trim Finish

White      Rubbed Oil Bronze      Satin Nickel

Project		Type	
Date		Contact	
Notes			