



Now, more is less. Economical retrofit downlights with more to offer. Available in standard or adjustable heads.

Color: White

Weight: 0.8 lbs

Project:	Type:
Prepared By:	Date:

Driver Info		LED Info	
Type:	Constant Current	Watts:	9W
120V:	0.078A	Color Temp:	3500K (Warm Neutral)
208V:	N/A	Color:	91 CRI
240V:	N/A	Accuracy:	L70 Lifespan: 50,000
277V:	N/A	Lumens:	786
Input Watts:	9W	Efficacy:	87 LPW
Efficiency:	N/A		

Technical Specifications

Listings

UL Listing:

Suitable for damp locations

ENERGY STAR® V2.0:

This product is ENERGY STAR® Version 2.0 Certified.

IESNA LM-79 & IESNA LM-80 Testing:

RAB LED luminaires and LED components have been tested by an independent laboratory in accordance with IESNA LM-79 and LM-80.

Electrical

Driver:

Constant Current, Class 2, 50/60 Hz, 120V: 0.078A

Dimming:

TRIAC and ELV dimming compatibility.

THD:

26.21% at 120V

Power Factor:

95.7% at 120V

Construction

Ambient Temperature:

-20°C to 40°C

Housing:

Precision, die-cast aluminum

Installation:

Torsion springs for secure installation

Socket Adapter:

Edison 26 Medium Base Socket adapter

Lens:

Frosted acrylic lens

Finish:

Chip and fade-resistant polyester powder coat finish

Green Technology:

Mercury and UV-free. RoHS compliant components.

LED Characteristics

LEDs:

Multi-chip, high-output, long-life LEDs

Lifespan:

50,000-hour LED lifespan based on IES LM-80 results and TM-21 calculations

Other

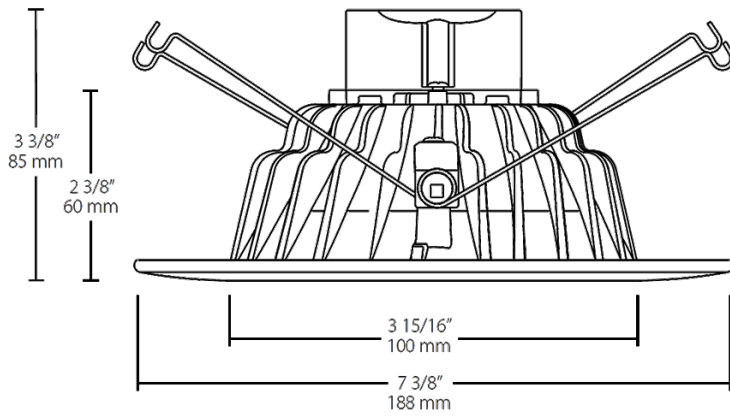
Warranty:

RAB warrants that our LED products will be free from defects in materials and workmanship for a period of five (5) years from the date of delivery to the end user, including coverage of light output, color stability, driver performance and fixture finish. RAB's warranty is subject to all terms and conditions found at

Buy American Act Compliance:

RAB values USA manufacturing! Upon request, RAB may be able to manufacture this product to be compliant with the Buy American Act (BAA). Please contact customer service to request a quote for the product to be made BAA compliant.

Dimensions



Features

- Superior thermal management with heat-dissipating fins
- Specification-grade 90 CRI standard
- Edison E26 Medium Base socket adapter included
- 5-Year, No-Compromise Warranty

Ordering Matrix

Family	Size	Shape	Wattage	Color Temp
DLED	6	R	9	YN
	6 = 6" 4 = 4"	R = Round AR = Adjustable Round	9 = 9W 11 = 11W 14 = 14W	YN = 3500K (Warm Neutral) Y = 3000K (Warm) YY = 2700K (Residential Warm)