



MR16/GU10/PAR16 LED

7MR16/LED/F35/830/DIM AF2 10/1

Philips MR16 Dimmable LED Lamps provide ambient level light to illuminate hard to maintain applications. Increased transformer compatibility allows for operation on a wider range of transformers. Available in dimmable and non-dimmable versions, these lamps are ideal for track and open recessed fixtures in retail, hospitality and residential spaces.

Product data

General Information	
Cap-Base	GU5.3 [GU5.3]
Nominal Lifetime (Nom)	25000 h
Switching Cycle	50000X
Technical Type	7-50W
Light Technical	
Color Code	930 [CCT of 3000K]
Beam Angle (Nom)	35 °
Light Distribution	Medium beam 35°
Initial lumen (Nom)	500 lm
Luminous Flux (Rated) (Nom)	500 lm
Luminous Intensity (Nom)	1350 cd
Color Designation	White (WH)
Rated Beam Angle	35 °
Correlated Color Temperature (Nom)	3000 K
Luminous Efficacy (rated) (Nom)	71 lm/W
Color Consistency	<6
Color Rendering Index (Nom)	90
LLMF At End Of Nominal Lifetime (Nom)	70 %
Luminous Flux in 90° Cone (Rated)	500 lm

Operating and Electrical	
Power (Rated) (Nom)	7 W
Lamp Current (Nom)	720 mA
Wattage Equivalent	50 W
Starting Time (Nom)	0.5 s
Warm Up Time to 60% Light (Nom)	1 s
Power Factor (Nom)	0.7
Voltage (Nom)	12 V
Temperature	
T-Case Maximum (Nom)	92 °C
Controls and Dimming	
Dimmable	Yes
Approval and Application	
Energy star mark	Energy star
Energy Saving Product	Yes
Suitable For Accent Lighting	Yes
Energy Efficiency Label (EEL)	Not applicable
Energy Consumption kWh/1000 h	8 kWh

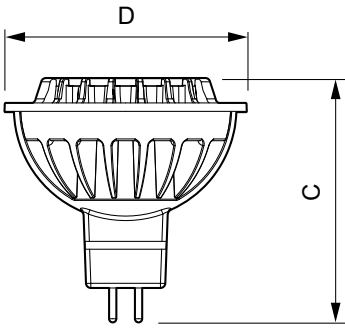
MR16/GU10/PAR16 LED

Product Data

Order product name	7MR16/LED/F35/830/DIM AF2 10/1
EAN/UPC - Product	046677461591
Order code	461590
Numerator - Quantity Per Pack	1

Numerator - Packs per outer box	10
Material Nr. (12NC)	929001153234
Net Weight (Piece)	0.045 kg

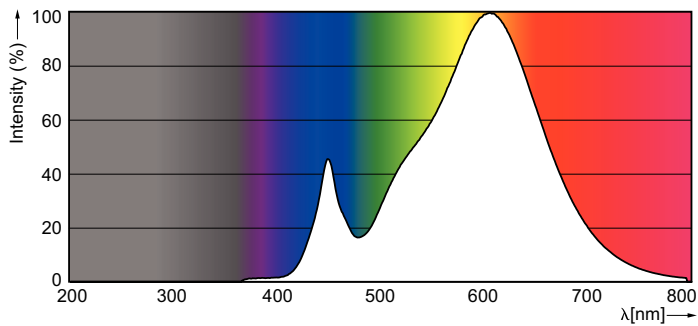
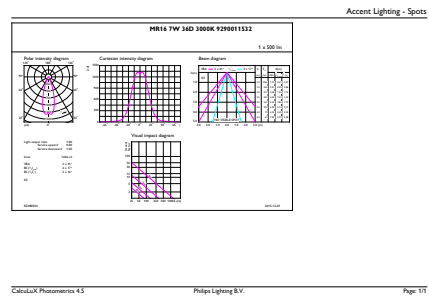
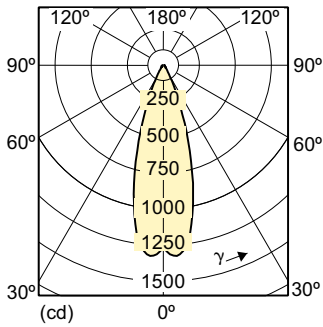
Dimensional drawing



LED D 7-35W 830 MR16 36D

Product	D	C
7MR16/LED/F35/830/DIM AF2 10/1	51 mm	51 mm

Photometric data



8-50 W GU5.3 /830 MR16

MR16/GU10/PAR16 LED

