

1254-I

Tamper Resistant Receptacles

Item Description

15 Amp, 125 Volt, NEMA 5-15R, 2P, 3W, Industrial Series Extra Heavy Duty Specification Grade, 4-In-1 Receptacle, Straight Blade, Grounding, Steel Strap, - IVORY



UPC Code: 07847783043

Country of Origin: Mexico - *Eligible for
ARRA funded projects > \$7,443,000

NEMA: 5-15R



Technical Information

AC Horsepower Ratings

At Rated Voltage: 1/2 HP

Electrical Specifications

Grounding: Grounding

Amperage: 15 Amp

Voltage: 125 Volt

NEMA: 5-15R

Pole: 2

Wire: 3

Dielectric Voltage: Withstands 2000V per
UL498

Current Limiting: Full Rated Current

Temperature Rise: Max 30C after 50
cycles OL at 150 percent rated current

Environmental Specifications

Flammability: Rated V-2 per UL94

Operating Temperature: -40C to 60C

Material Specifications

Terminal Screws: Brass 8-32

Grounding Screw: Steel 8-32 w/ 12AWG
Green 8 Inch Pigtail

Face Material: Nylon

Body Material: Nylon

Line Contacts: Phosphor Bronze

Terminal Screws: Plated Brass

Grounding Screw: Plated Steel

Strap Material: Galvanized Steel with
Riveted Ground Contacts

Color: Ivory

Mechanical Specifications

Terminal ID: Brass-Hot, Green-Ground,
White-Neutral

Terminal ID: Brass-Hot, Green-Ground,
Silver-Neutral

Terminal Accom.: 14-12 AWG

Product ID: Ratings are permanently
marked on device

Torque Range: 12-14 inch pounds

Product Features

NEMA: 5-15R

Color: Ivory

Standards and Certifications

NEMA: WD-1 WD-6

ANSI: C-73

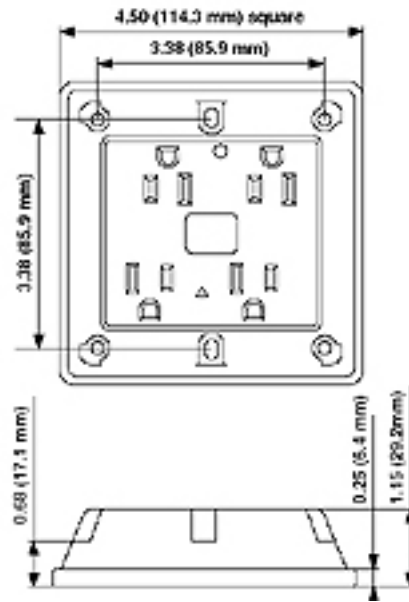
UL498: File E13399

CSA C22.2 No. 42: File 152105

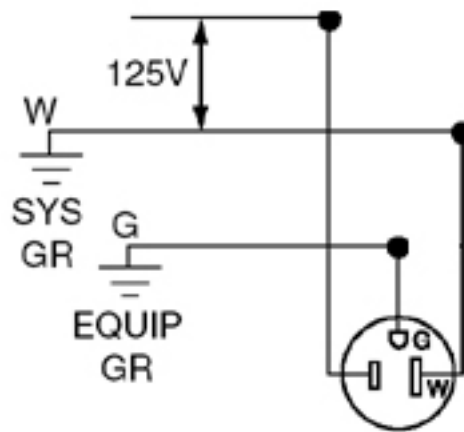
NOM: 057

Warranty: 10 Year Limited

Dimensional Diagram



Wiring Diagram



5-15R

SPECIFICATION SUBMITTAL

JOB NAME: <input type="text"/>	CATALOG NUMBERS: <input type="text"/>	
JOB NUMBER: <input type="text"/>	<input type="text"/>	<input type="text"/>

Leviton Manufacturing Co., Inc.

201 North Service Road, Melville, NY 11747

Telephone: 1-800-323-8920 · FAX: 1-800-832-9538 · Tech Line (8:30AM-7:30PM E.S.T. Monday-Friday): 1-800-824-3005

Leviton Manufacturing of Canada, Ltd.

165 Hymus Boulevard, Pointe Claire, Quebec H9R 1E9 · Telephone: 1-800-469-7890 ·

FAX: 1-800-824-3005 · www.leviton.com/canada

Leviton S. de R.L. de C.V.

Lago Tana 43, Mexico DF, Mexico CP 11290 · Tel.: (+52)55-5082-1040 · FAX: (+52)5386-1797 · www.leviton.com.mx

Visit our Website at: www.leviton.com

© 2012-2016 Leviton Manufacturing Co., Inc. All rights reserved. Subject to change without notice.



Leviton has a global presence.

If you would like to know where your local Leviton office is located please go to: www.leviton.com/international/contacts/

**Buy American Compliant Logo -- The American Recovery And Reinvestment Act of 2009 ("ARRA") provides federal grants and loans for projects throughout the country. Section 1605 of the Act, named the "Buy American" provision, requires that certain materials and manufactured products used in projects funded by the Act be manufactured in the United States. The appearance of the Recovery Act Logo in relation to a Leviton product is only intended to reflect that such product may be used in an ARRA funded project. It does not mean that such product or Leviton is sponsored or endorsed by, or that Leviton receives funds from, the federal government or the Recovery Accountability and Transparency Board. Nothing in Leviton's use of the logo is intended to suggest anything regarding the requirements for funding under ARRA.*