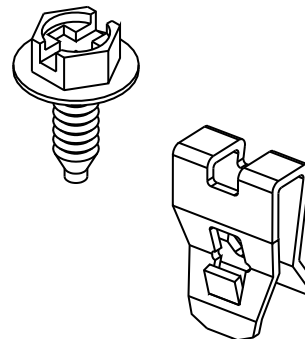


SPECIFICATION & FEATURES

GROUND SCREWS & CLIP

DESCRIPTION:

Orbit Industries' Ground Screws and Grounding Clip



CERTIFICATION:

UL file E227970, conforms to UL514A.



CONFIGURATION DATA

Catalog No.	Description	Std. Pkg.	Master Carton
GS-1032	Ground Screw 10-32 x 3/8", Green, Slotted/Philips/Hex Washer Head	100	1000
GS-1032-PT	GS-1032 with 7" Solid Cu. #12AWG Pigtail	50	250
GS-1032-PT-10	GS-1032 with 10" Solid Cu. #12AWG Pigtail	50	1000
GS-1032-PT-12	GS-1032 with 12" Solid Cu. #12AWG Pigtail	50	250
PTST-8	GS-1032 with 8" Stranded Cu. #12AWG Pigtail and Flanged Spade Terminal	50	250
GC	Grounding Clip, for #14 - #10 AWG Copper	100	1000

