

DATE: _____ LOCATION: _____
 TYPE: _____ PROJECT: _____
 CATALOG #: _____

tradeSELECT®

FEATURES

- 1x4, 2x2, and 2x4 sizes
- 80 CRI
- 0–10V dimming
- Recessed, Surface, or Cable Mount
- Universal voltage (120–277V)
- IC rated
- Unique curved 1/8" frame
- Suitable for ISO Class 5–9 positive pressure cleanrooms



SPECIFICATIONS

CONSTRUCTION

- Extruded aluminum frame has a matte white finish and smooth frame-to-lens transition

OPTICS

- Edge-to-edge illumination without pixelation or bright spots

INSTALLATION

- Integral T-bar clips for secure mounting

ELECTRICAL

- 60,000 hour LEDs at L70 (up to 180,000 projected life) for reduced maintenance

CERTIFICATIONS

- All luminaires are built to UL1598 standards and bear appropriate ETL labels
- Damp location label standard
- Tested in accordance with ISO 14644-1; suitable for ISO Class 5–9 positive pressure cleanrooms

- DLC® (DesignLights Consortium) Qualified, with some Premium Qualified configurations. Please refer to the DLC website for specific product qualifications at www.designlights.org

WARRANTY

- 5 year warranty
- See [HLI Standard Warranty](#) for additional information

ORDERING GUIDE

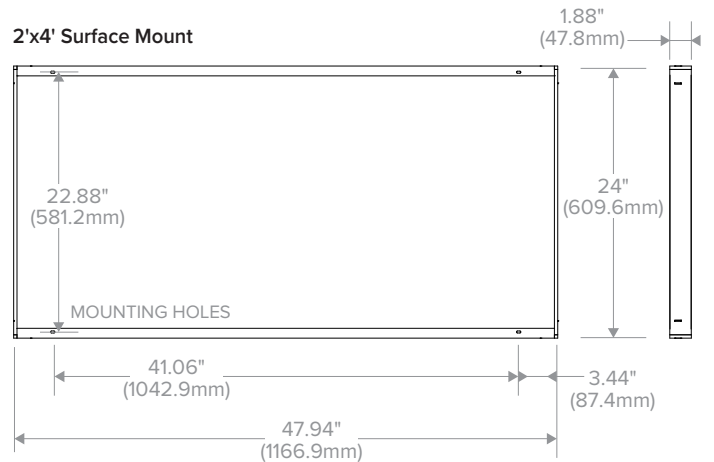
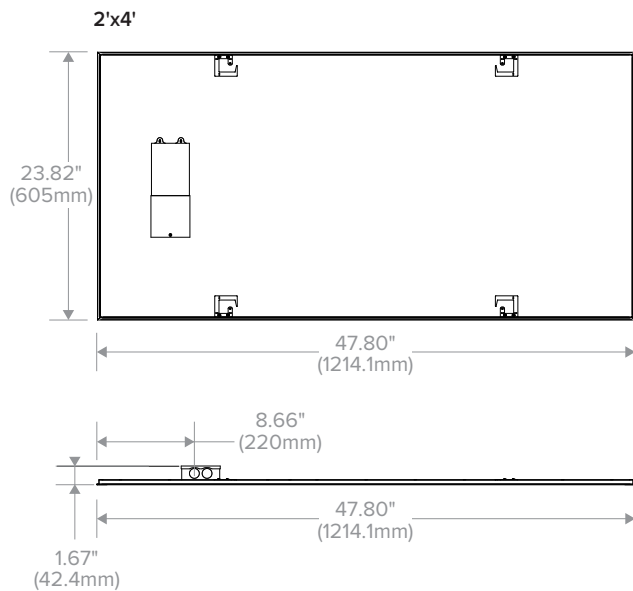
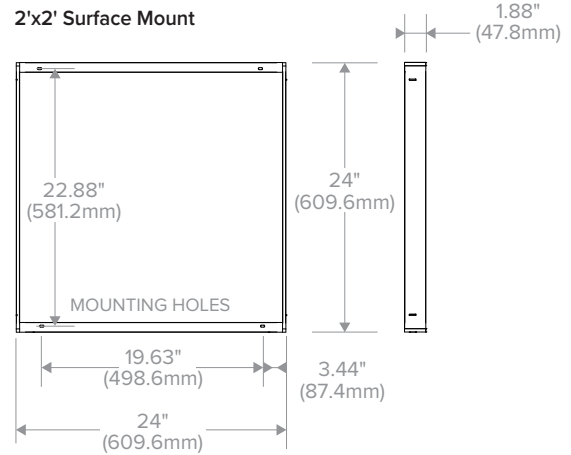
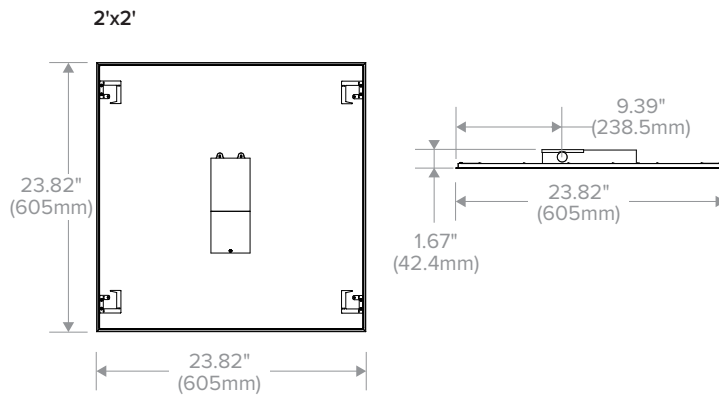
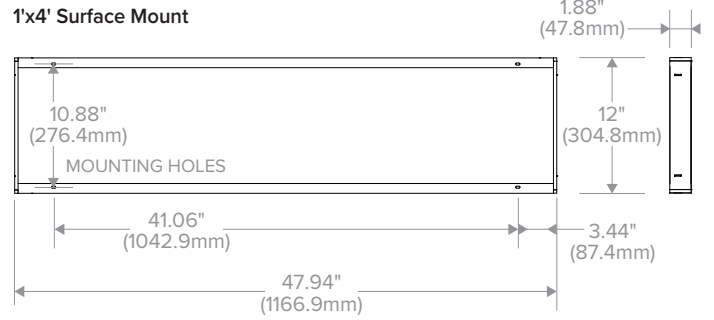
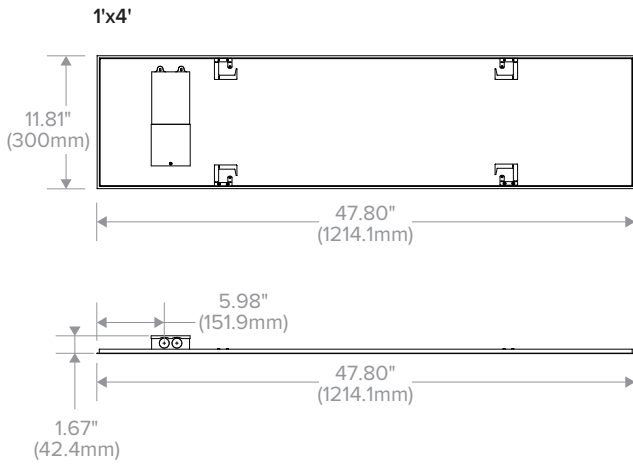
Catalog Number	Description	Delivered Lumens	Watts	LPW	Qty on Pallet
CFP14-4035 ¹	1x4 Edge-Lit Flat Panel, 3500K	3951	39	101	48
CFP14-4040 ¹	1x4 Edge-Lit Flat Panel, 4000K	4102	39	105	48
CFP22-3335 ¹	2x2 Edge-Lit Flat Panel, 3500K	3382	32	106	36
CFP22-3335-HE ²	2x2 Edge-Lit Flat Panel, 3500K, High Efficacy	3299	26	125	36
CFP22-3340 ¹	2x2 Edge-Lit Flat Panel, 4000K	3475	32	109	36
CFP22-3340-HE ²	2x2 Edge-Lit Flat Panel, 4000K, High Efficacy	3430	27	127	36
CFP22-4035 ¹	2x2 Edge-Lit Flat Panel, 3500K	4302	41	105	36
CFP22-4040 ¹	2x2 Edge-Lit Flat Panel, 4000K	4074	40	102	36
CFP24-4135 ¹	2x4 Edge-Lit Flat Panel, 3500K	4307	40	107	24
CFP24-4135-HE ²	2x4 Edge-Lit Flat Panel, 3500K, High Efficacy	4229	34	124	24
CFP24-4140 ¹	2x4 Edge-Lit Flat Panel, 4000K	4123	40	103	24
CFP24-4140-HE ²	2x4 Edge-Lit Flat Panel, 4000K, High Efficacy	4334	34	127	24
CFP24-5535 ¹	2x4 Edge-Lit Flat Panel, 3500K	5447	49	110	24
CFP24-5540 ¹	2x4 Edge-Lit Flat Panel, 4000K	5608	50	112	24

Notes:
 1 DLC® (DesignLights Consortium) Qualified - see www.designlights.org
 2 DLC® (DesignLights Consortium) Premium Qualified - see www.designlights.org

Accessories (Order Separately)	
PLD10M	Dual-Lite® Emergency LED Battery Pack, field installed
PLRTS	Remote Test Switch/Charge Indicator Module (fits single-gang box)
FK14	1' x 4' Single Flange Kit
FK22	2' x 2' Single Flange Kit
FK24	2' x 4' Single Flange Kit
CFPSMK-14	1' x 4' CFP Surface Mount Kit
CFPSMK-22	2' x 2' CFP Surface Mount Kit
CFPSMK-24	2' x 4' CFP Surface Mount Kit
CFPCM36YSC5F-KIT	36" Cable Mount Kit for 1' or 2' wide Cable Mount fixtures, 5-wire

KEY DATA	
Lumen Range	3299–5608
Wattage Range	26–50
Efficacy Range (LPW)	101–127
Reported Life (Hours)	L70/60,000
Input Current (mA)	93–216

DIMENSIONS



PHOTOMETRY

CFP22-3335

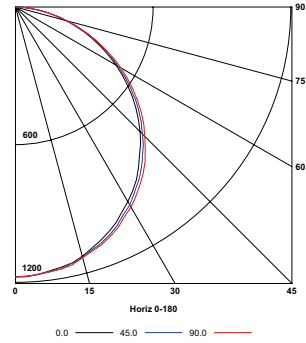
LUMINAIRE DATA

Test No.	17.01571
Description	CFP, Recessed 2' x 2' Flat Panel LED
Delivered Lumens	3384
Watts	32.03
Efficacy	106
Mounting	Recessed
Spacing Criterion	0° = 1.24 90° = 1.27

ZONAL LUMEN SUMMARY

Zone	Lumens	% Luminaire
0-30	914	27
0-40	1497	44.2
0-60	2649	78.3
0-90	3384	100
0-180	3384	100

POLAR GRAPH



CFP24-4135

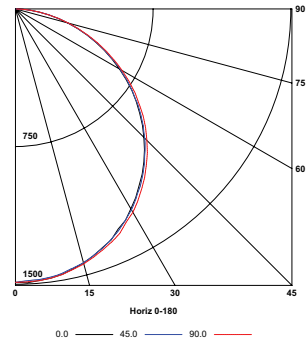
LUMINAIRE DATA

Test No.	17.01569
Description	CFP, Recessed 2' x 2' Flat Panel LED
Delivered Lumens	4309
Watts	40.43
Efficacy	107
Mounting	Recessed
Spacing Criterion	0° = 1.25 90° = 1.27

ZONAL LUMEN SUMMARY

Zone	Lumens	% Luminaire
0-30	1160	26.9
0-40	1901	44.1
0-60	3369	78.2
0-90	4309	100
0-180	4309	100

POLAR GRAPH



CFP24-5540

LUMINAIRE DATA

Test No.	17.02370
Description	CFP, Recessed 2' x 2' Flat Panel LED
Delivered Lumens	5611
Watts	49.90
Efficacy	112
Mounting	Recessed
Spacing Criterion	0° = 1.24 90° = 1.27

ZONAL LUMEN SUMMARY

Zone	Lumens	% Luminaire
0-30	1518	27.1
0-40	2489	44.4
0-60	4404	78.5
0-90	5611	100
0-180	5611	100

POLAR GRAPH

