

# Atlas Lighting Products® Extra-Wide Flood

## PFMXW43LED 43 Watt LED Extra-Wide Flood Light



3000K or warmer CCTs only

### SPECIFICATIONS:

	PFMXW43LED3K	PFMXW43LED4K	PFMXW43LED	PFMXW43LED5K
<b>Lumens:</b>	5025	5025	5025	5229
<b>Watts:</b>	43.19	43.19	43.19	43.20
<b>Lumens/Watt:</b>	116.35	116.35	116.35	121.06
<b>CRI:</b>	80	80	80	80
<b>CCT:</b>	3000	4000	4500	5000
<b>DLC Prod. ID:</b>	P825UL5Y	PPGDXG1Y	P22PSA1E	PR4TUEWL

### Construction:

Designed for commercial and industrial applications, providing cooler operating temperatures, brighter light and longer LED life. Apertures for field or factory installed photocontrol. Heavy duty knuckle with 90° adjustment.

### Extra Wide Distribution Pattern:

Designed to provide maximum light spread for short set backs when lighting signs and washing walls.

### Thermal Management:

Atlas Extra-Wide Flood Lights are designed as a complete system to optimize LED life and light output. The Patent Pending thermal stacking heat removal technology extracts heat from within the housing moving it away from LEDs and components. The lower temperatures result in long LED life (200,000+ hrs) and component life and also allows for higher light output.

### Listings:

Luminaire is certified to UL/cUL Standards for Wet Locations DesignLights Consortium Premium qualified luminaire, eligible for rebates from DLC member utilities.

### AC Input:

120/208/240/277 V

### Driver:

Constant current, Class 2, 120-277 VAC, 50-60 Hz  
High Efficiency – min. 84%  
Off-State Power: 0 Watts  
0-10 V Dimming

### LEDs:

3000K, 4000K, 4500K, 5000K CCT  
Epoxy Guard™ protective conformal coated boards  
Atlas LEDs provide higher lumen output, greater energy efficiency and more reliable fixture performance.

### Testing:

Atlas LED luminaires have been tested by an independent laboratory in accordance with IESNA LM-79 & LM-80.

**Warranty:** Five-year limited warranty

### Photo Control:

For factory installed 120V button photo control add suffix PC to part number.

### Project Information

Job Name

Fixture Type 43 Watt LED Extra-Wide Flood Light

Catalog Number PFMXW43LED

Approved by

**Alpha Series LED**  
PROFESSIONAL GRADE

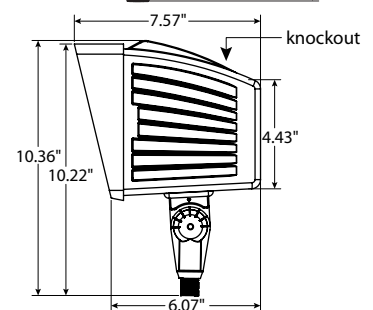
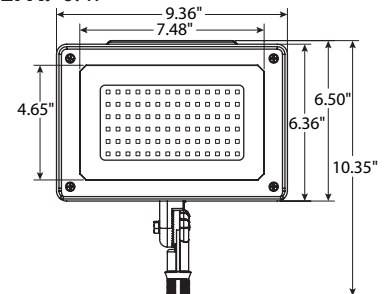


**PFMXW43LED**  
Design is Protected  
by US Patent D710,530

### DIMENSIONS:

**Weight:** 10 lbs.

**EPA:** 0.47



<sup>1</sup>LED Life Span Based Upon LM-80 Test Results

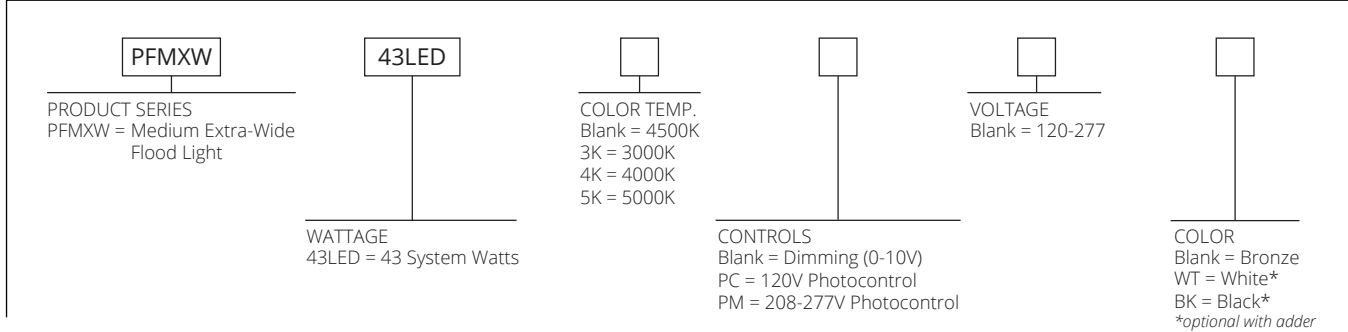
## ATLAS LIGHTING PRODUCTS, INC.

PO BOX 2348 | BURLINGTON, NC 27216  
800-849-8485 | FAX: 1-855-847-2794 | www.atlasled.com

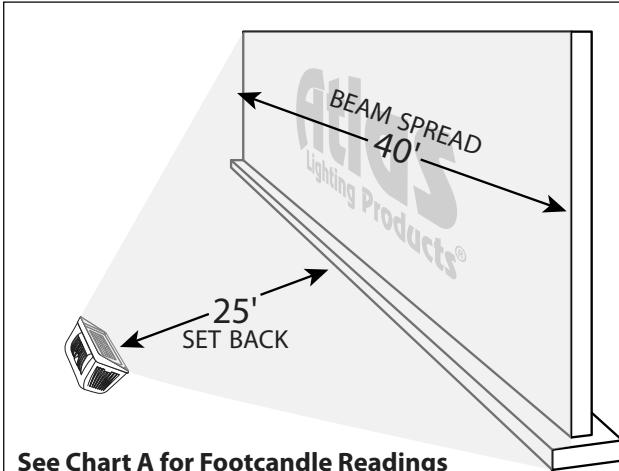
**Rebates and Incentives are available in many areas.  
Contact an Atlas Representative for more information.**

\*The majority of Atlas Lighting Products are assembled in USA facilities by an American Workforce utilizing both Domestic and Foreign components. Meets Buy American requirements within the ARRA.

## ORDERING FORMAT



## PHOTOMETRIC



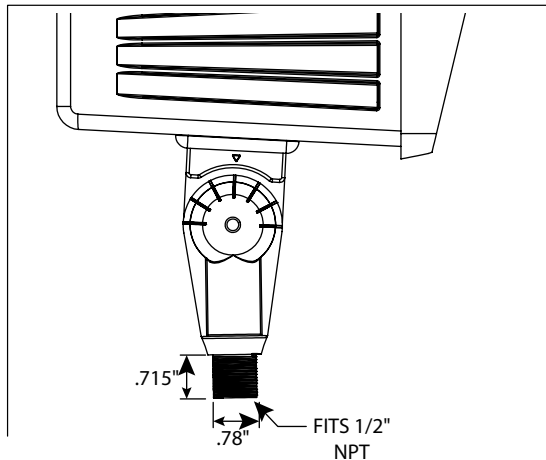
See Chart A for Footcandle Readings

FOOTCANDLE READINGS (CHART A)				
0'	5'	10'	15'	20'
3.9	3.6	3.0	2.2	1.6

## ENERGY SAVINGS

LED		HID			ANNUAL SAVINGS
WATTAGE	ANNUAL COST	SOURCE WATTAGE	TOTAL WATTAGE USED	ANNUAL COST	
43	\$19	100	129	\$77	\$58
43	\$19	150	185	\$100	\$81
43	\$19	175	210	\$112	\$93

## MOUNTING DETAIL



## ATLAS LIGHTING PRODUCTS, INC.

PO BOX 2348 | BURLINGTON, NC 27216  
800-849-8485 | FAX: 1-855-847-2794 | www.atlasled.com

The majority of Atlas Lighting Products are assembled in USA facilities by an American Workforce utilizing both Domestic and Foreign components. Meets Buy American requirements within the ARRA.