

Standard

STANDARD LO1322TPM

Available for many fluorescent lamp types sold today, including Preheat, Rapid Start, 2-pin CFL, Slimline, High Output, Very High Output and Circline. Magnetic ballasts can be used in any application where these lamps are used.

Product data

General Information		Rated Lamp Power	20 W
Lamp Type	F20T12	Wiring	
Number of Lamps	1 piece/unit	Wire Striplength	0.50/0.375 mm
Lamp Footage	-	Lamp Connection	Series
Ballast Type	Magnetic Fluorescent	Wire Length by Color	See data sheet
Base Model	LO1322TP	Wire Gauge (Nom)	18AWG mm
Suitable For Outdoor Use	Yes	Wire Type	Solid
Automatic Restart	Yes	Remote Wiring Configuration Allowed	Yes
Operating and Electrical		Tandem Wiring Configuration Allowed	No
Input Voltage	120 V	Through Wiring Configuration Allowed	No
Input Frequency	60 Hz	Max Ballast-Lamp Distance Remote Wiring	30'
Total Harmonic Distortion USA	15 %	Max Ballast-Lamp Distance Tandem Wiring	-
Ignition Method	Preheat	Max Ballast-Lamp Distance Through Wiring	-
Crestfactor (Nom)	1.5	Mechanical and Housing	
Ignition Time (Nom)	1 s	Housing Material	Metal
Input Current (Open Circuit)	0	Housing	X3
Input Current (Starting)	0.43	Housing Dimensions	3.06" x 1.44" x 1.81"
Ballast Factor (Nom)	0.78	Approval and Application	
Power Factor (Nom)	0.53	EMC Immunity Standard	FCC Non-Consumer
Input Current (Nom)	0.28 A	Approval Marks	CSA certificate UL certificate RoHS Compliant
Input Power (Nom)	18 W		

Standard

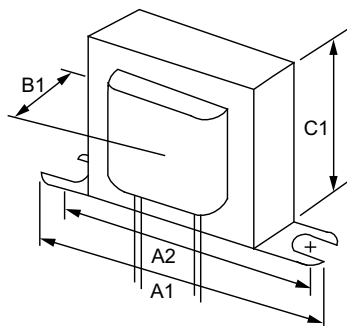
Hum And Noise Level	A
UL Recognized	No

Product Data

Order product name	STANDARD LO1322TPM
EAN/UPC - Product	781087003602
Order code	913700509209

Numerator - Quantity Per Pack	1
Numerator - Packs per outer box	72
Material Nr. (12NC)	913700509209
Net Weight (Piece)	0.259 kg

Dimensional drawing



MAG BALLAST (1) F20T12 PH 120V

Product	A1	A2	B1	C1
STANDARD LO1322TPM	3.06 in	2.75 in	1.44 in	1.81 in

