

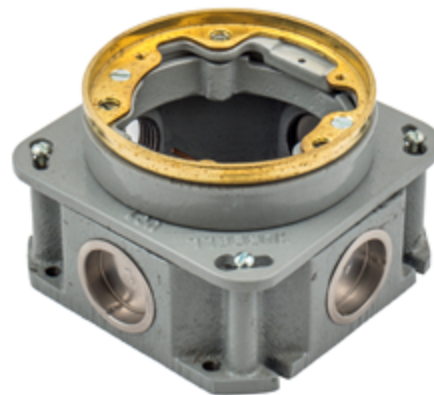
Floor Boxes
 Flush Round Cast Iron
 Concrete Floor Boxes

HUBBELL



Features

- Corrosion resistant for on-grade applications
- Gray Powder Coat Paint
- Adjustable Before Concrete Pour



Ordering Information

Description	Collar Material	UPC Number	Catalog Number
1 Gang Floor Box	Brass	783585101903	B2536

Listings

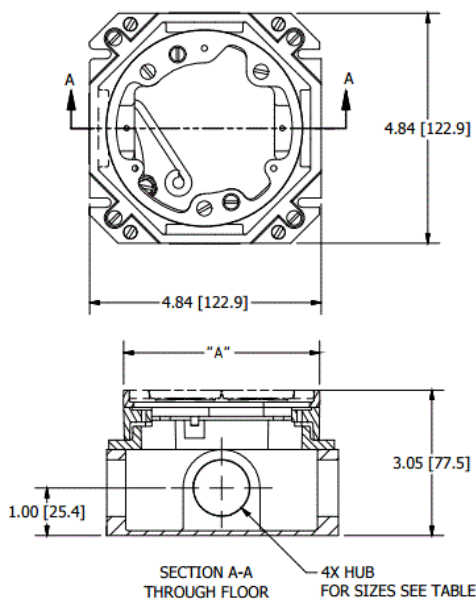
UL File Number E31999
 CSA File Number LR18416

Specifications

Style	Cast Iron
Cubic Inch Capacity	33.0 cu. in. (540.7 cm ³)
Threaded NPT Hubs	(4) 3/4"

Performance

Installation Information	
Min. Depth of Pour	3.75" (95.3)
Post Pour Adjustment	0.38"



Complementary Products

Replacement Collar	C2500
Replacement Brass Cover Flange	S5016

Online Resources

Customer Use Drawing
 eCatalog
 Installation Instructions

Dimensions in Inches (mm)

Hubbell Wiring Device-Kellems • Hubbell Incorporated (Delaware) • 40 Waterview Drive • Shelton, CT 06484

Phone (800) 288-6000 • Fax (800) 255-1031 • Specifications subject to change without notice.

