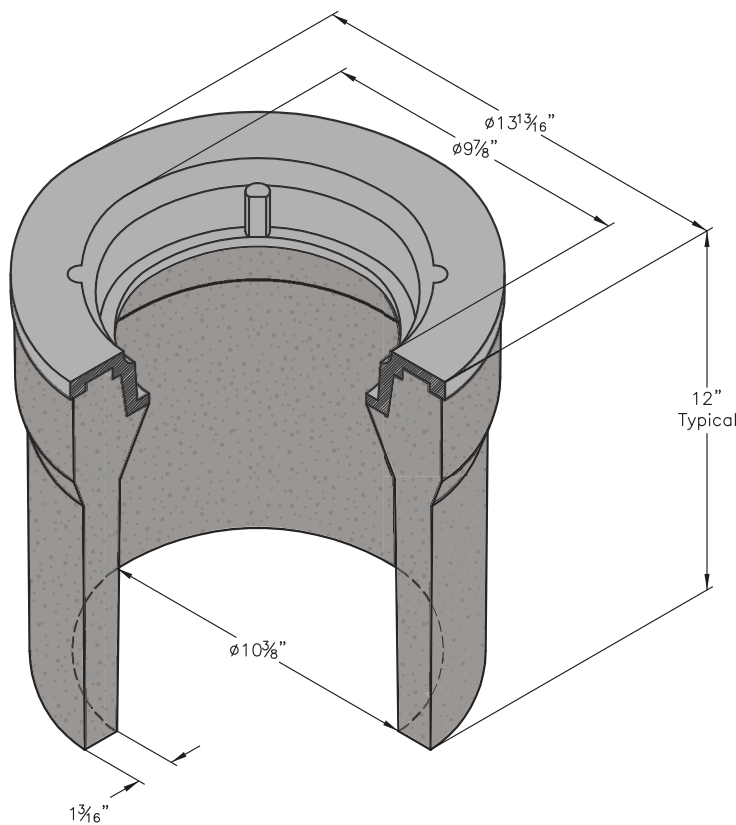
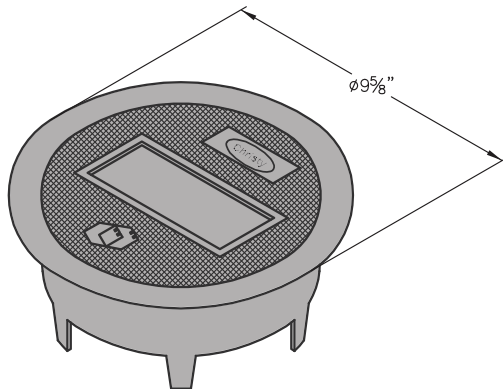


# G03



**COVER:**

Style: Flush  
 Material: Cast Iron  
 Model: 10" Dia.  
 Weight: 14 lbs  
 Options: Special Markings  
 Surface: Skid Resistant & Marked\*  
 Coefficient of Friction: >0.6 ASTM 1028  
 Performance: H20, AASHTO M309

**BODY:**

Material: Reinforced Concrete with Steel Frame  
 Model: 10" Dia  
 Weight: 72 lbs  
 Wall Type: Straight  
 Mouseholes: 0  
 Performance: H20, AASHTO M309

**EXTENSION:**

Material: High Density Polyethylene  
 Size: 6", 8", 12", 18" & 10' Depth



**Traffic Rated: Continuous Roadway Traffic**

All information contained on this sheet is current at the time of printing. Oldcastle Precast, Inc. reserves the right to discontinue or update product information without notice.

Actual load rating is determined by the box and cover combination. Weights and dimensions may vary slightly.

Rev 12/2016 ©2016 Oldcastle, Inc.

\*Cover comes standard with permanent markings for manufacturer, load rating, model size and manufacturing location.

Contact your Oldcastle Enclosure Solutions Distribution Center for specific information and additional options.