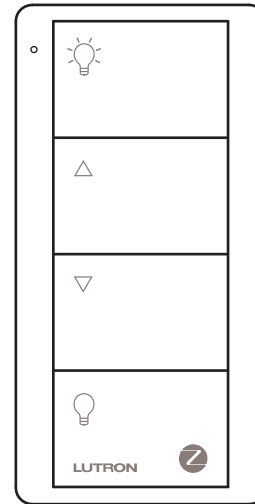


## Lutron® Connected Bulb Remote Control

The Lutron® Connected Bulb Remote Control is a flexible and easy to use device that allows the user to control connected bulbs from anywhere in the space. This battery-operated remote control requires no external power or communication wiring.

### Features

- Provides instant and direct control of connected bulbs that utilize ZigBee® wireless technology. The complete list of compatible bulbs can be found at [www.lutron.com/ConnectedBulbRemote](http://www.lutron.com/ConnectedBulbRemote)
- Provides dimming capabilities without the need for a hub, bridge, or smartphone.
- Easy reconfiguration for use as:
  - Handheld remote control
  - Wall-mount remote control (with or without wallplate; wallplate adapter kit sold separately)
  - Car visor remote control (car visor clip sold separately)
  - Table-top remote control (table-top pedestal sold separately)
- Utilizes ZigBee® wireless technology.
- Control up to 30 connected bulbs per remote control.
- Battery-powered. Requires no wiring.
- 5 year battery life\* (one CR2032 battery included).
- Part of a ZigBee® mesh network allowing for communication and interoperability with compatible ZigBee® connected bulbs, hubs, and bridges.
- Flush buttons provide a seamless aesthetic.
- Indicator LED provides visual confirmation of button presses when paired with a ZigBee® device.



**Lutron® Connected Bulb Remote Control**

\* Based on a 1 year shelf life, an average of 10 button presses per day, and an ambient temperature of 77 °F (25 °C). Actual life may vary based on usage and environmental conditions.

<b>Job Name:</b>	<b>Model Numbers:</b>
<b>Job Number:</b>	

## Specifications

### Regulatory Approvals

- Lutron® Quality Systems registered to ISO 9001:2008.
- FCC Certified (U.S.A.)
- IC Certified (Canada)

### Power

- Operating Voltage 3 V<sup>---</sup>
- (1) CR2032 battery (included)

### System Communication and Capacity

- Communicates using Radio Frequency (RF) at 2.4 GHz.
- Thousands of system addresses prevent interference between systems.
- Part of a ZigBee® mesh network. Range is dependent on density of the ZigBee® network and the devices that are being controlled.

### Mounting Considerations

- Mounting of any RF devices on or in close proximity to a metal surface will drastically reduce the effective range of radio signal transmission or reception.
- All RF devices must be mounted on non-metal materials to ensure proper performance.

### Environment

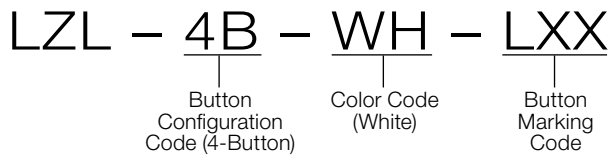
- Ambient operating temperature:  
32 °F to 140 °F (0 °C to 60 °C)
- Maximum 90% non-condensing relative humidity
- Indoor use only

### Warranty

- 1 Year Limited Warranty. For additional Warranty information, please visit [www.lutron.com/TechnicalDocumentLibrary/369-119\\_Wallbox\\_Warranty.pdf](http://www.lutron.com/TechnicalDocumentLibrary/369-119_Wallbox_Warranty.pdf)

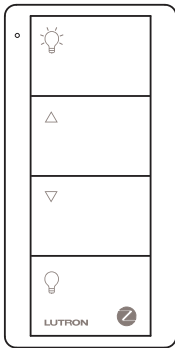
<b>Job Name:</b>	<b>Model Numbers:</b>
<b>Job Number:</b>	

## Model Number



## Button Marking Codes

### Zone Control



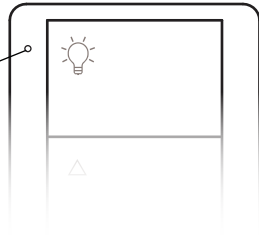
-L01

Job Name:	Model Numbers:
Job Number:	

## Operation

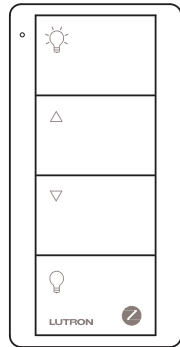
### Indicator LED

Flashes to indicate a button press when controlling a connected bulb or when unit is in programming mode.



### Zone Control

Lights Model: L01



#### ON Button

Lights brighten to full intensity.

#### Raise Button

Lights increase in intensity.

#### Lower Button

Lights decrease in intensity.

#### OFF Button

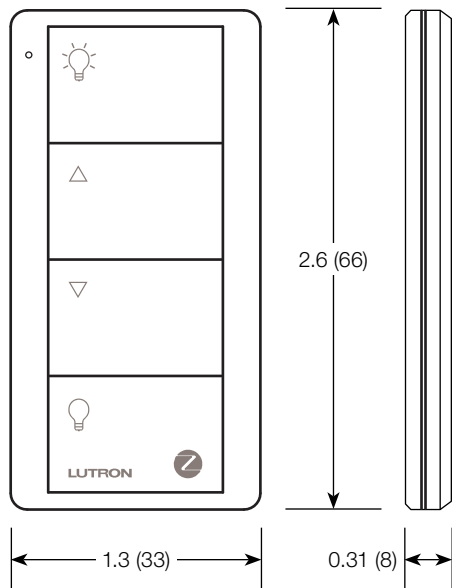
Lights dim to off.

## Dimensions

Measurements shown as: in (mm)

Front view

Side view



Job Name:	Model Numbers:
Job Number:	

## Pedestal Model Number

Pedestals sold separately.

L – PEDX – XX

|                      |

Capacity        Color

Code                Code

### Capacity Codes

Capacity	Code
Single	1
Double	2
Triple	3
Quadruple	4

### Color Codes

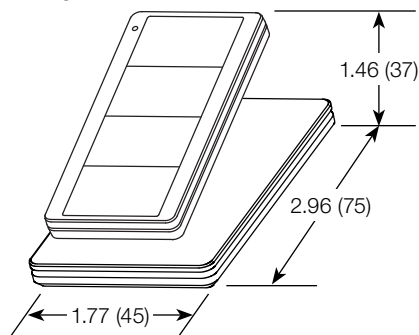
Available in gloss finish only.

Color	Code
White	WH
Black	BL

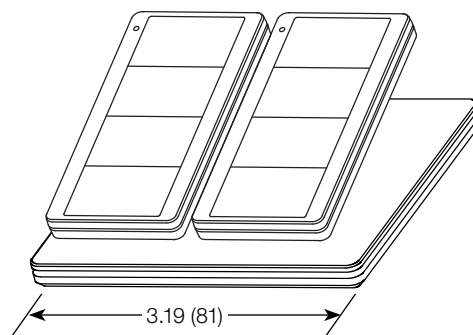
## Dimensions

Measurements shown as: in (mm)

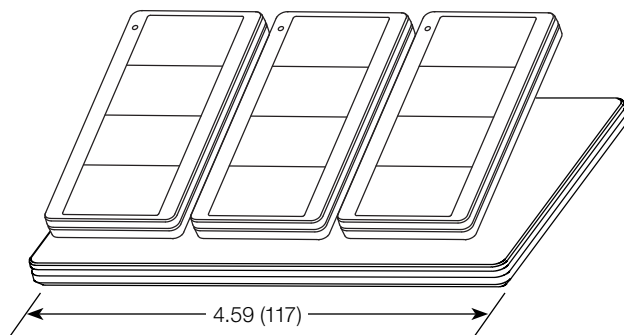
Single Pedestal



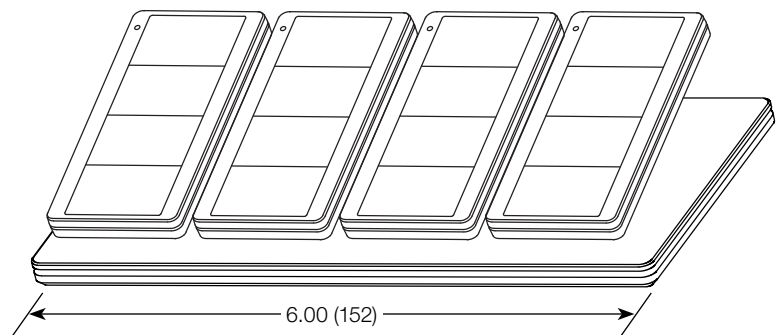
Double Pedestal



Triple Pedestal



Quadruple Pedestal



Job Name:

Model Numbers:

Job Number:

# Mounting Options

## Stand-Alone Mounting: Adhesive-Mount

(included)



## Stand-Alone Mounting: Screw-Mount

Model PICO-SM-KIT  
(sold separately)

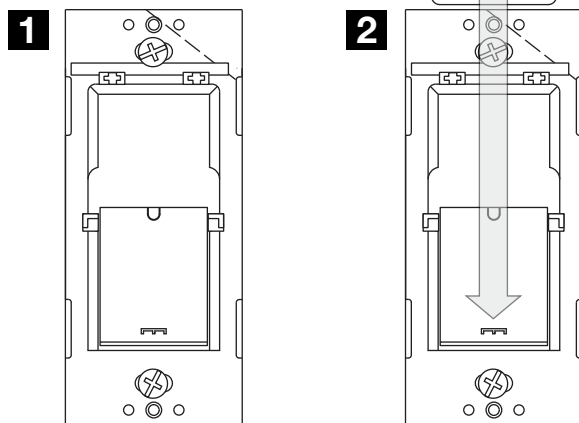
Kit includes special screws to be used for more permanent mounting and/or for non-smooth surfaces.



## Wallbox Adapter

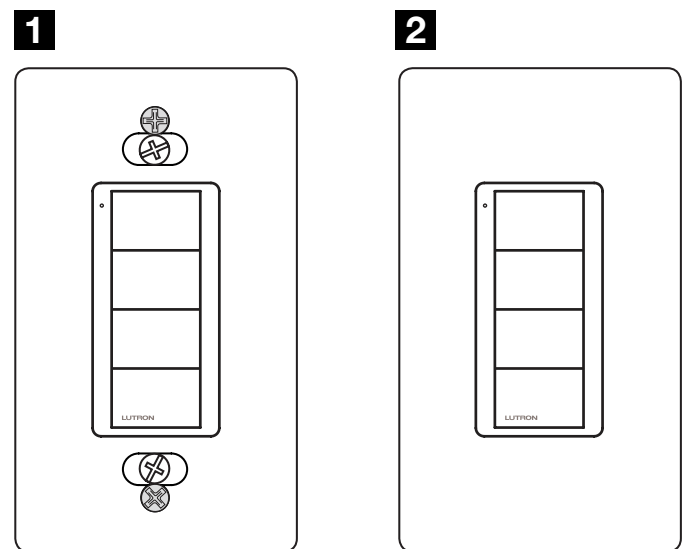
Model PICO-WBX-ADAPT  
(sold separately)

Wallplate adapter/wallplate  
sold separately.



## Mount in Claro® Wallplate

CW-1-WH  
(sold separately)



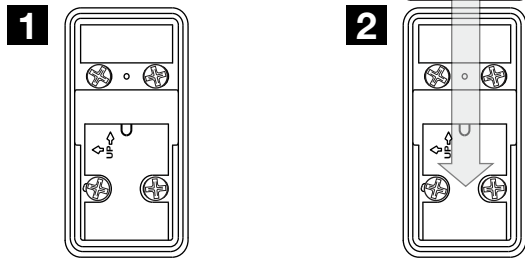
(continued on next page...)

<p>Job Name:</p>  <p>Job Number:</p>	<p>Model Numbers:</p>
--	-----------------------

## Mounting Options (continued)

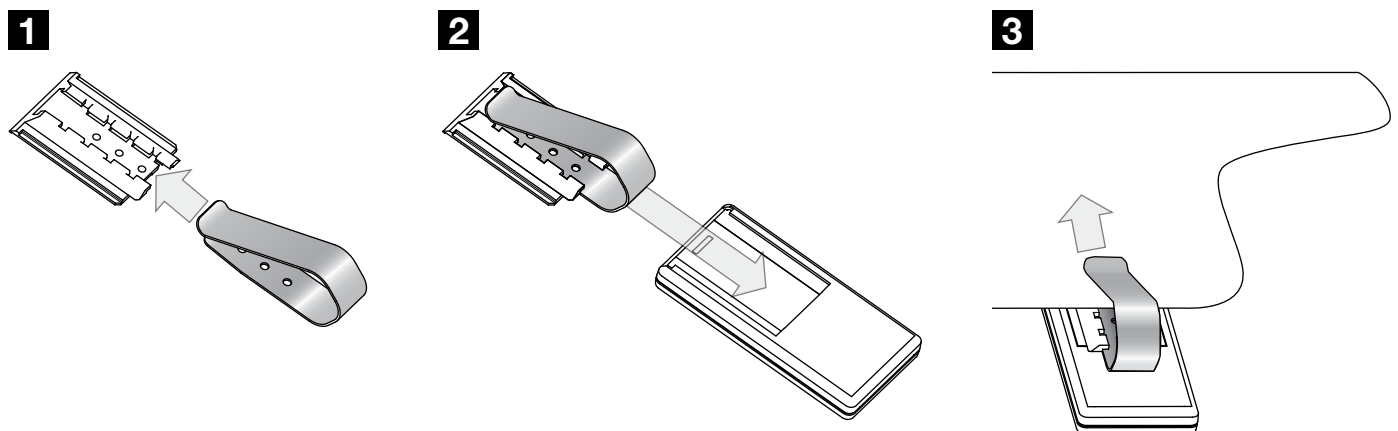
### Mounting to Metal Surfaces

Contact Lutron Customer Service for availability.  
(sold separately)



### Mounting to Car Visor

Model PICO-CARVISOR-CL  
(sold separately)



Job Name:	Model Numbers:
Job Number:	