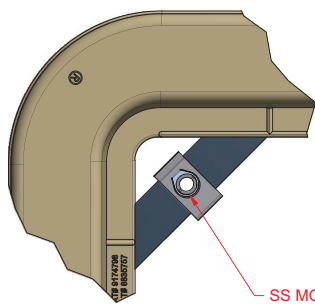
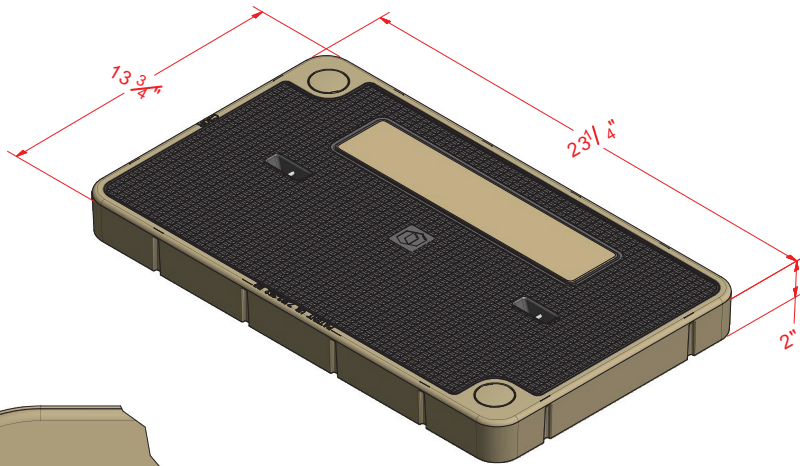
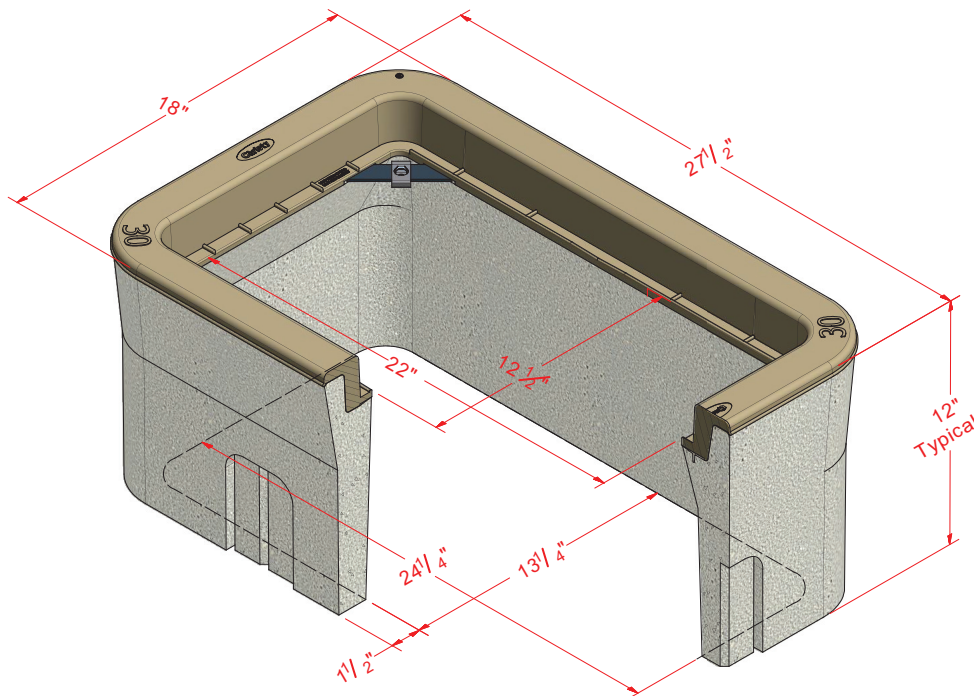


N30



SS MOUNTING PLATE AND NUT

Bolt Down Detail



COVER:

- Style: Flush
- Material: Composite with UV Inhibitor
- Model: 14" x 23"
- Weight: 44 lbs
- Options: Special Markings
- Surface: Skid Resistant & Marked*
- Coefficient of Friction: >0.6 ASTM 1028
- Performance: ASTM C 857, WUC 3.6

BODY:

- Material: Reinforced Concrete with Composite Cap
- Model: 18" x 27"
- Weight: 138 lbs
- Wall Type: Straight
- Mouseholes: 0 - 2
- Performance: ASTM C 857, WUC 3.6

EXTENSION:

- Material: Reinforced Concrete
- Depth: 12"
- Weight: 116 lbs



Light Duty:
Pedestrian Only

Actual load rating is determined by the box and cover combination. Weights and dimensions may vary slightly.
Rev 12/2016 ©2016 Oldcastle, Inc.

Contact your Oldcastle Enclosure Solutions Distribution Center for specific information and additional options.

N30

Options:

R-Series Covers:

Flush Solid
Bolt Down Locking Available

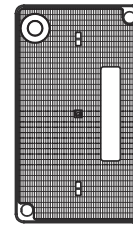
Steel Checker Plate Covers:

Flush Solid
Galvanizing Available

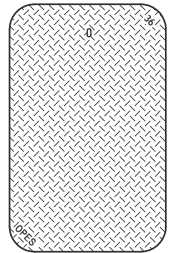
Add On Options:

EMS Marker
Lid Gaskets*

*Lid Gaskets inhibit water flow into the box,
they do not make Enclosure fully waterproof.



R-Series



Steel

**Product Load
Rating:**



Light Duty : Pedestrian Only

Note:

Actual load rating is determined by the box and cover combination. Weights and dimensions may vary slightly
All information contained on this sheet is current at the time of printing.
Oldcastle Precast, Inc. reserves the right to discontinue or update product information without notice.



Rev 12/2016 ©2016 Oldcastle, Inc.