

DCL SERIES

LED WALLPACK 50W | 5248 LUMENS | REPLACES 150W

ORDER NUMBER: **MED-DCL15090-50-4-D-8-PC-BZ**



KEY BENEFITS

UL wet listed die-cast aluminum construction with tempered glass lens or borosilicate glass reflectors, complete with stainless steel hardware. Mounts to standard 4 inch square electrical junction boxes. Alternate junction box mounting possible via universal mounting ring. Ingress resistant gasket included. Same foot print as traditional HID fixtures

- LED Philips® and YG® driver technology
- Dimming option available
- Precision die-cast Aluminum
- Wet location rated fixture for outdoor use
- Chip and fade resistant powder coat finish in any color
- Precision prismatic refractor
- Industrial grade, Button-type photocell.

APPLICATIONS

Suitable for building-mounted doorway, pathway and security illumination

CERTIFICATIONS

- DLC 4.1 Premium
- cUL-us Listed



* Please refer to the DLC QPL website for the latest and most complete information at www.designlights.org/QPL

PRODUCT PERFORMANCE

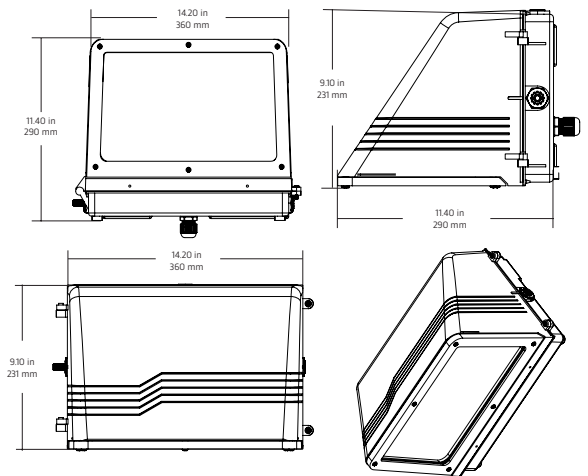
SYSTEM WATTAGE	LED WATTAGE	LUMENS	LP/W	CRI	REPLACES (MH)
50W	51W	5248 lm	98 lm/w	≥80	150W

PRODUCT SUMMARY

EFFICACY	98 lm/w
LED CHIP	Philips®
CCT	4000K
DRIVER	YG® driver technology, Dimmable LED power supplies, Current can be adjusted the 120-277V Dimming type is continuous, The product can dim to 10%
DRIVER EFFICIENCY	>85%
INDIVIDUAL CARTON DIMENSIONS	15 x 10.5 x 13.5 in
INDIVIDUAL CARTON WEIGHT	10 lbs
STANDARD LIFETIME	Design minimum 50,000 + hours
STANDARD WARRANTY	5 Years
WATER PROOFING GRADE	Wet Location
HOUSING FINISH	Bronze - Outdoor rated powder coat

PRODUCT WEIGHT: 10 lbs

PRODUCT DIMENSIONS



PRODUCT PHOTOMETRY

