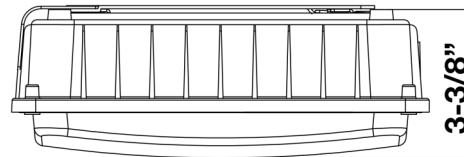
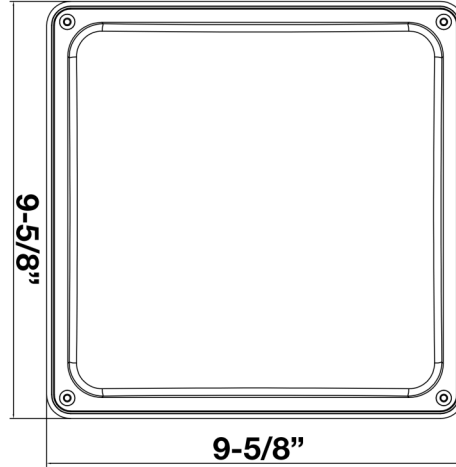




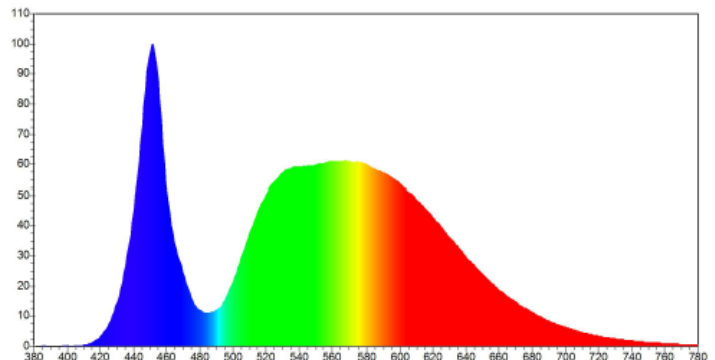
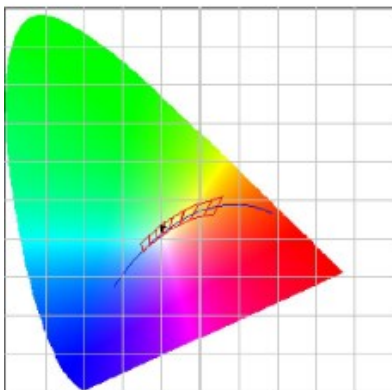
ULTRATHIN CANOPY SURFACE MOUNT 45W



- Features:
- Thin Appearance
 - Good Heat Dissipation
 - Convenient Installation
 - Pendant or Surface Mount
 - Long Life high Efficiency LEDs

Part#	Housing Color	Wattage	Lumens	CCT	Voltage	Dimming	Lumens/Watt	DLC#
71603B	Bronze	45W	5000	5000K	120-277	0-10V	110	PL9DPILKJN18

PHOTOMETRY





ULTRATHIN CANOPY SURFACE MOUNT 45W

Technical Specifications:

Electrical:

Input Voltage: 120 thru 277

Current: .378A@120V; .189A@277V

Frequency: 60Hz

Power Factor: $\geq .9$

Product Parameters:

45 Watts

Efficacy: 110 lumens per watt

50,000+ LED Life Span

CCT: 5000K (Cool White)

Chromaticity Measurements:

Beam Angle: 140°

CRI: ≥ 70

R9: -23.3

DUV: 0.0067

Chromaticity (x,y): x=.3457; y= .3657

Chromaticity (u,v): u=.2065; v= .3277

Component Specifications:

LED: SSC3030

Driver: 120-277V 50-60HZ

Driver Output Volts: 120-277

Driver Output Amps: 132mA

Surge Protection: 10,000V

Dimming: 0-10

Operating Temperature:

Minimum Starting -31° - 122° F

Construction:

Housing: Aluminum Housing

Powder Coat Bronze Finish

IP Rating: IP65 Wet Location Rated

Lens Material: Prismatic Polycarbonate Lens

Mounting: Ceiling Mount

(Drywall / Sheetrock)

Listings: ETL

DLC#: PL9DPILKJN18

Carton Qty: 1

Weight: 8 lb

Warranty:

Morris Products carries a 5 year warranty from date of purchase against defects in materials and workmanship (assuming normal and proper usage).