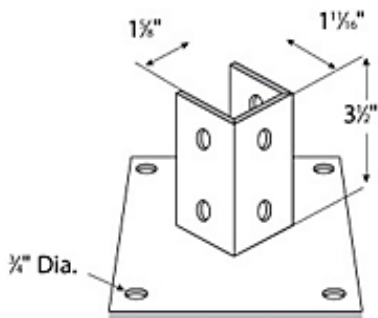




Actual



Line Art

Catalog Number: AP232EG
Product ID: 7TAA005350R0003
UPC Number: 61601301370
Status: Active

Connector, Diagonal Post Base, Post Height 3-1/2 Inches, Post Length 1-11/16 Inch, Width 1-5/8 Inch, 4 Holes, Hole Diameter 3/4 Inch, Electro Galvanized Steel

- Excellent corrosion resistance

North American Specifications (UNSPSC)

UNSPSC	31162502 Angle brackets
IGCC	3010 Angle brackets
Brand Name	Superstrut
Type	Post Bases
Special Features	Excellent corrosion resistance
Application	For use in metal framing applications
Material	Steel
Height	3-1/2 Inches
Width	1-5/8 Inches
Finish	SilverGalv/Electro-Galvanized
Number Of Holes	4

European Specifications (ETIM)

ETIM	EC000482 Mounting element for support/profile rail
Suitable for	U-profile
Model	Mounting base
With screw accessories	N
Material	Steel
Surface protection	Galvanic/electrolytic zinc plated

Packaging

Outer Quantity	10
Outer Dimensions (inches)	16.7x11.3x5.2
Weight Uom	357.5 lbs. per 100

Documents / Support Tools

Technical Drawing / Data Sheet US	Available on Website
Technical Drawing / Data Sheet Canada	Available on Website

For further technical assistance, please contact us...

Thomas & Betts - USA
 8155 T&B Blvd.
 Memphis, TN 38125
 www.tnb.com

T&B Technical Support
 MS 3B-50
 8155 T&B Blvd.
 Memphis, TN 38125

Hours: 7AM - 6PM CDT
 Monday-Friday
 Phone: (888) 862-3289
 Fax: (901) 252-1321
 Email:techsupport@tnb.com