



Project:	Type:
Prepared By:	Date:

Driver Info		LED Info	
Type	Constant Current	Watts	20.00W
120V	0.18A	Color Temp	3500K (Warm Neutral)
208V	0.1A	Color Accuracy	84 CRI
240V	0.08A	L70 Lifespan	50,000
277V	0.07A	Lumens	2,538
Input Watts	19.10W	Efficacy	132.9 LPW
Efficiency	N/A		

Technical Specifications

Listings

UL Listed:

Suitable for damp locations

IESNA LM-79 & IESNA LM-80 Testing:

RAB LED luminaires have been tested by an independent laboratory in accordance with IESNA LM-79 and LM-80

DLC Listed:

This product is listed by Design Lights Consortium (DLC) as an ultra-efficient premium product that qualifies for the highest tier of rebates from DLC Member Utilities. DLC Product Code: PDIEP8HX

LED Characteristics

Lifespan:

50,000-hour LED lifespan based on IES LM-80 results and TM-21 calculations

LEDs:

Long-life, high-efficacy, surface-mount LEDs

Color Stability:

LED color temperature is warrantied to shift no more than 200K in CCT over a 5-year period

Color Uniformity:

RAB's range of CCT (Correlated Color Temperature) follows the guidelines of the American National Standard for Specifications for the Chromaticity of Solid State Lighting (SSL) Products, ANSI C78.377-2017.

Construction

Cold Weather Starting:

The minimum starting temperature is -20°C (-4°F)

Maximum Ambient Temperature:

Suitable for use in 50°C (122°F)

Housing:

Sheet metal stamping 24 gauge, cold-rolled steel

Mounting:

Comes standard with surface mounting hardware. Accessories available for suspension hook mounting or J-Box mounting (purchased separately).

Connecting Adaptor:

May link up to 25 fixtures using connecting adaptor included with each fixture for easy installation. Separate connecting plate (order as accessory) recommended for each connection point.

Finish:

Formulated for high durability and long-lasting color

Green Technology:

Mercury and UV free. RoHS-compliant components.

Other

5 Yr Limited Warranty:

The RAB 5-year, limited warranty covers light output, driver performance and paint finish. RAB's warranty is subject to all terms and conditions found at rablighting.com/warranty.

Accessories:

STRP BPLATE - Bracket plate for mechanically joining fixtures, for runs need one less than fixture quantity. [Click here.](#)

STRP SHOOK - Suspension "S" hook and 9 1/2" chain. Sold in pairs, need 1 pair for each fixture. [Click here.](#)

JBSTRP - White flat cover for junction-box installations, sold individually. [Click here.](#)

Buy American Act Compliance:

RAB values USA manufacturing! Upon request, RAB may be able to manufacture this product to be compliant with the Buy American Act (BAA). Please contact customer service to request a quote for the product to be made BAA compliant.

Electrical

Driver:

Constant Current, 120-277V, 50/60 Hz, 120V: 0.18A, 208V: 0.1A, 240V: 0.08A, 277V: 0.07A

THD:

5.72% at 120V, 6.79% at 277V

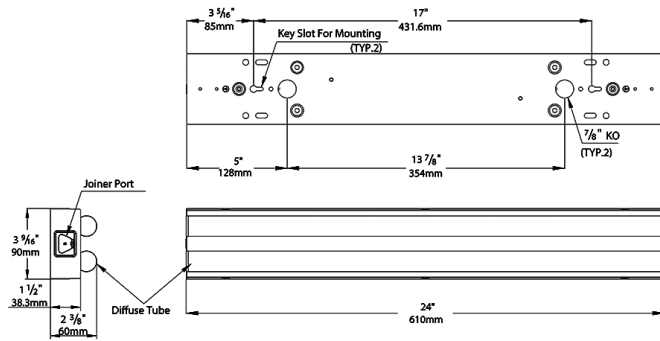
Technical Specifications (continued)

Electrical

Power Factor:

99.7% at 120V, 97.1% at 277V

Dimensions



Features

Traditional, fluorescent tube look; energy-saving LED technology

Surface-mount ready; accessories available for junction box or suspended mount

0-10V dimming

50,000-Hour LED lifespan

Ordering Matrix

Family	Length/Wattage		CRI/Color Temp	Voltage	Options
STRP	220	—	835	U	
	210 = Single tube 2ft, 10W 220 = Double tube 2ft, 20W 420 = Single tube 4ft, 20W 440 = Double tube 4ft, 40W		850 = 5000K (Cool), 80 CRI 840 = 4000K (Neutral), 80 CRI 835 = 3500K (Warm Neutral), 80 CRI	U = 120-277V	Blank = No Option /MVS = Microwave Bi-Level Motion Sensor *Available only to STRP440 ¹ /E2 = Emergency Backup *Available only to STRP440 ¹

¹ Available with the STRP440 only