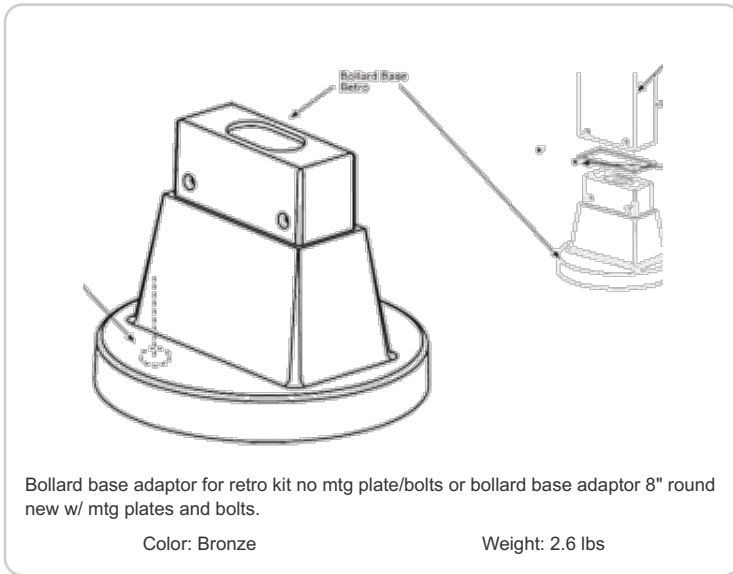


# BOLBASE RETRO



Project:	Type:
Prepared By:	Date:

## Technical Specifications

### Construction

#### Retrofit:

Retrofit Bollard Base for BLED5, BLED10, BLED13's(Bollards with Fixtures sold separately) for retrofit application for existing concrete or base.

### Other

#### Buy American Act Compliance:

RAB values USA manufacturing! Upon request, RAB may be able to manufacture this product to be compliant with the Buy American Act (BAA). Please contact customer service to request a quote for the product to be made BAA compliant.

## Dimensions

