



# EXTERNAL DRIVE LED

TYPE C LED TUBES

## KTLD-4LT5HE-UV-12C-VDIM

CONSTANT CURRENT LED DRIVER FOR TYPE C T5HE LAMPS

### DESCRIPTION

Constant Current Output | 120–277V Input | 0–10V Dimming



**DRIVER TYPE:** Constant Current

**OUTPUT CURRENT:** 270A × 4 Channels

**INPUT POWER:** 13W × 4

**MAX. CURRENT** 0.49A@120V

**MAX. OUTPUT POWER:** 48W

**WARRANTY:** 5 Years

### PRODUCT FEATURES

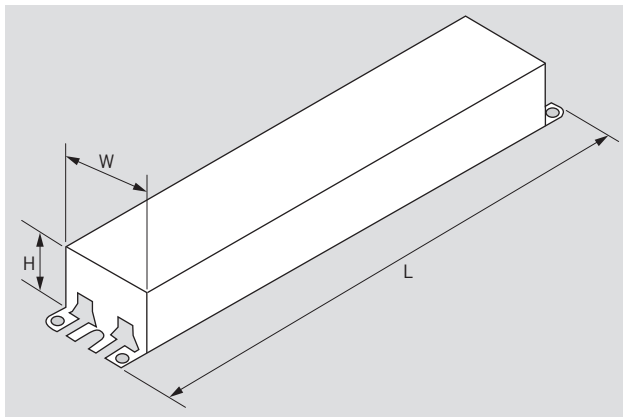
- Compatible with Keystone external drive T5HE LED lamps
- Meets FCC Part 15 (Class B) consumer limits
- Short circuit overload and open load protection
- Type 1 outdoor, suitable for dry and damp locations
- UL8750 Recognized component
- Dimmable with 0–10V Dimmer
- Operating temperature: –20°C/–4°F to 45°C/113°F
- 85°C/185°F maximum case temperature
- Input frequency: 50/60 Hz
- THD: < 20%

### ELECTRICAL SPECIFICATIONS

INPUT CHARACTERISTICS				OUTPUT CHARACTERISTICS			FEATURES
Input Voltage	Input Power	Power Factor	Max. Current	Max. Output Power	Max. Current	Output Voltage	Efficiency
120–277Vac	13W × 4	>0.9	0.49A@120V	48W	270A × 4 Channels	36–45Vdc	88%

### MECHANICAL SPECIFICATIONS

#### CASE DIMENSIONS



LENGTH (L)	9.60"
WIDTH (W)	1.80"
HEIGHT (H)	1.30"

\*TC Point (85°C) is noted on each driver label



# EXTERNAL DRIVE LED

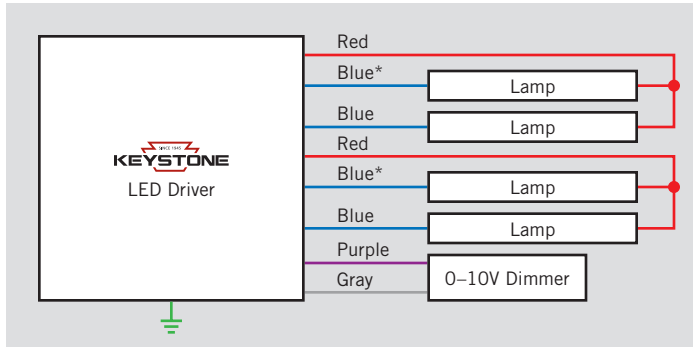
TYPE C LED TUBES

## KTLD-4LT5HE-UV-12C-VDIM

CONSTANT CURRENT LED DRIVER FOR TYPE C T5HE LAMPS

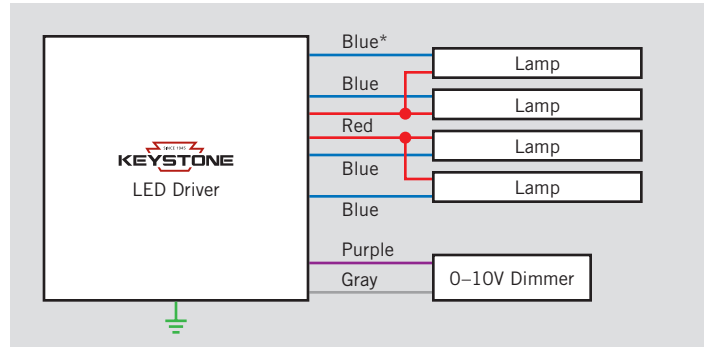
### WIRING

#### DOUBLE-ENDED WIRING



\* For 3 lamp application, cap off 1 blue lead

#### SINGLE-ENDED WIRING



\* For 3 lamp application, cap off 1 blue lead

#### STANDARD LEAD LENGTHS\*

Input	Black	30.00"
	White	30.00"
Output	Red	30.00"
	Blue	30.00"
Dimming	Purple	30.00"
	Gray	30.00"

Lead wires are 18 AWG 105° C/600V.

\*Consult Keystone for special lead length requirements.

### ORDERING INFORMATION

Order Code	Packaging Style	Pack Quantity	Item Status
KTLD-4LT5HE-UV-12C-VDIM-CP	Carton Pack	25	Active

### CATALOG NUMBER BREAKDOWN

# KTLD-4LT5HE-UV-12C-VDIM-CP

1 2 3 4 5 6 7 8

- 1 Keystone Technologies LED Driver
- 2 Number of Lamps
- 3 Lamp Type
- 4 High Efficiency
- 5 120-277V Input
- 6 Lamp Wattage
- 7 0-10V Dimming
- 8 Packaging Style