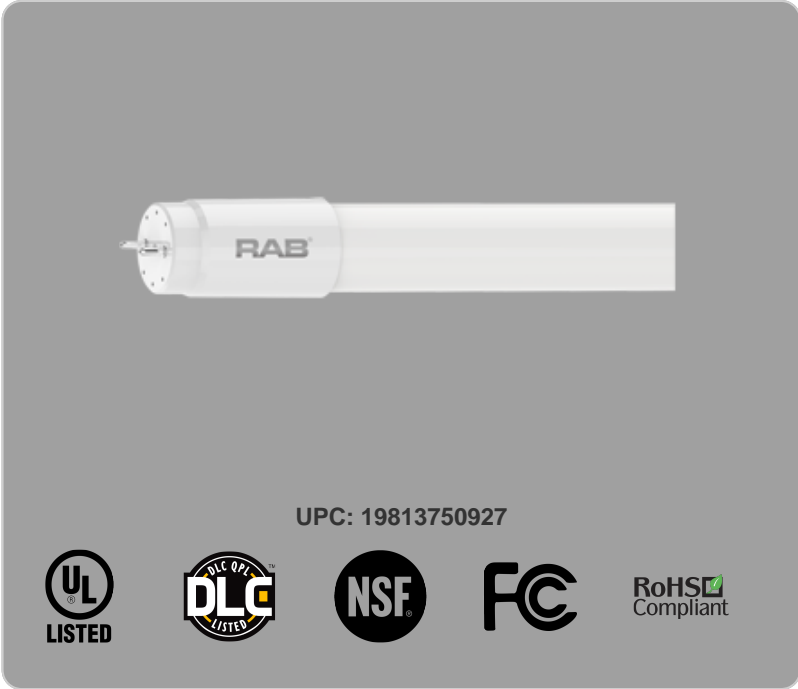


Project:	Type:	Prepared By:	Date:
-----------------	--------------	---------------------	--------------



Features and Benefits

FLUORESCENT REPLACEMENT - Replace conventional fluorescent T8 linear tubes

EASY TO INSTALL - Simply plug and play No rewiring, no tools, no instructions

50,000-HOUR LIFESPAN - Lasts 1.6x longer than conventional fluorescent tubes

ENCLOSED FIXTURE RATED - May be used in enclosed and open fixtures

DIFFUSION COATING - Will maintain the same light quality over time and won't yellow, shrink, or wrinkle

BALLAST COMPATIBLE - Please check Compatibility List

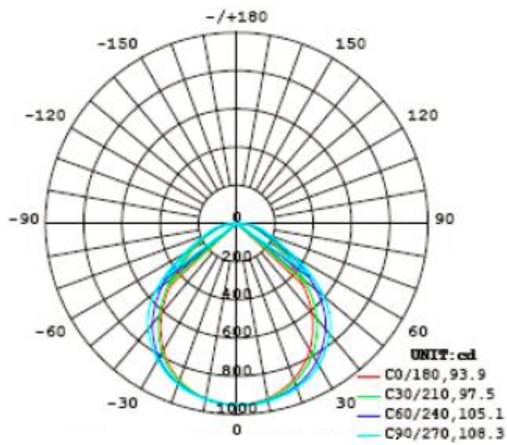
SAVE ENERGY AND MONEY - Approximately 40% more efficient than conventional T8 lamps

INSTANT ON - No warmup time required, full brightness instantly

MERCURY FREE - Environmentally friendly vs fluorescent technologies

Technical Specifications		Electrical Characteristics	
Product Type	Linear	Input Voltage	Ballast Dependent
Bulb Shape	T8	Power Factor	Ballast Dependent
Nominal Length	2FT	Operating Frequency	Ballast Dependent
Finish	Frosted	Input Current @ 120V	Ballast Dependent
Wattage	6W	Input Current @ 277V	Ballast Dependent
Wattage Equivalency	17W Fluorescent	Flicker	≤40%
Typical Lumen Output	900	THDi	<25%
Efficacy	150 lm/W		
Color Temperature	4000K Cool White	Listings	
CRI	82	UL Listed	Yes
Base Type	G13	NSF Listed	Meets NSF/ANSI standards for use in Food Zone (non-contact), Splash, and Non-Food Zones
L70 Lifespan	50,000 hours	DLC Listed	This product is on the Design Lights Consortium (DLC) Qualified Products List and is eligible for rebates from DLC Member Utilities. DLC Product Code: PXE36ZF3
Operating Temperature	-20°C - 45°C	DLC Model Number	T8-6-24G-840-DIR
Dimmable	No	DLC Product Code	PXE36ZF3
Beam Angle	240°	CEC Status	Lawful for sale in California
Warranty	5-Year, No-Compromise Warranty		
For Use in Emergency Fixtures	No		
For Use Outdoors in Open Fixtures	No		

Light Distribution



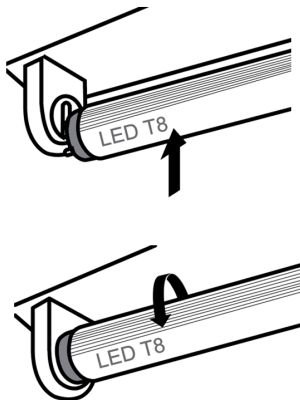
Ballast Performance

	0.78BF	0.88BF	1.88BF
Lumens	810	935	1120
System Power (W)	6.5	7.5	9

Case and Pallet Dimensions

	QTY	LENGTH	WIDTH	HEIGHT
CASE	25	25.3	7.9	7.3
PALLET	60	49.2	39.4	48.8

Wiring Diagram



Dimension

