

Straight Blade Devices  
 30A, 125/250V, 3 Pole, 3 Wire Non-Grounding  
 Plug

# HUBBELL



## Ordering Information

Description	Cord Diameter	UPC	Catalog Number
Plug, nylon, angle, 4-position	.625"-1.187" (15.9-30.1)	783585015422	HBL9333

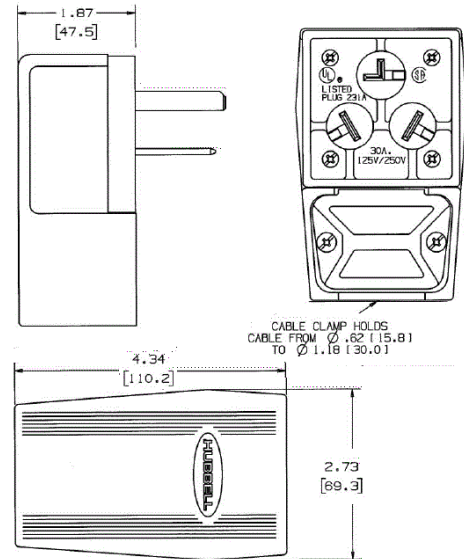


## Specifications

Housing	Supertough Nylon
Blade Holder	Reinforced Thermoplastic Polyester
Terminal Retainer	Reinforced Thermoplastic Polyester
Cord Clamp	Reinforced Thermoplastic Polyester
Box Terminals	Brass

## Performance

<b>Electrical</b>	
Current Interrupting	Certified for current interrupting at full rated current
Dielectric Voltage	Withstands 2,000V minimum
<b>Mechanical</b>	
Product Identification	Ratings are a permanent part of the device
Terminal Accommodation	#12-#4 AWG copper stranded or solid conductor only
Terminal Identification	Terminals identified in accordance with UL 498 and CSA
<b>Environmental</b>	
Flammability	UL 94 V-2
IP Suitability	IP20
Operating Temperatures	Maximum continuous 75°C; minimum -40°C (w/o impact)



## Resources

Customer Use Drawing  
 eCatalog

Dimensions in Inches (mm)

Hubbell Wiring Device-Kellems • Hubbell Incorporated (Delaware) • 40 Waterview Drive • Shelton, CT 06484

Phone (800) 288-6000 • Fax (800) 255-1031 • Specifications subject to change without notice.

