

Project		Catalog #		Type	
Prepared by		Notes		Date	



Metalux

SWLED

Surface and Wall LED

Typical Applications

Commercial • Industrial

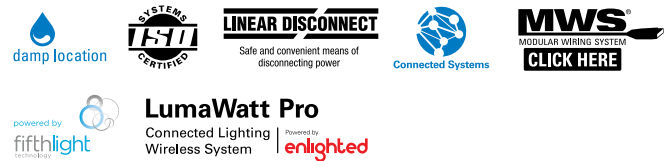
Interactive Menu

- Order Information [page 2](#)
- Photometric Data [page 3](#)
- Control Solutions [page 5](#)
- Product Warranty

Product Certification



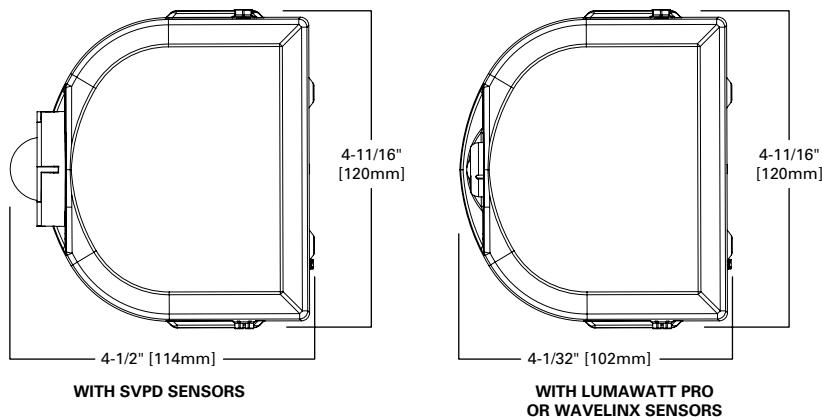
Product Features



Top Product Features

- Lumen packages up to 2000 lumens per foot for high mounting locations
- Excellent performance with lm/W, ranging up to 150 lm/W with LC lens
- 4ft. and 2ft. product configurations for mounting versatility
- Multiple sensor options for connected or control at multiple heights
- Standard 0-10V driver with optional DALI, 1% and step dimming options

Dimensional and Mounting Details



[additional product diagrams](#)

Order Information

SAMPLE ORDER NUMBER: **4SWLED-40SL-LW-UNV-L840-CD1-SVPD2-U**

Length	Series	Lumen Output		Optic	Voltage	Emergency Options
2=2 ft. Length 4=4 ft. Length	SWLED=LED Surface and Wall	LED Lumens ⁽¹⁾ 8SL=900 ⁽²⁾ 16SL=1600 20SL=2000 24HL=2400 28HL=2800 28SL=2800 ⁽³⁾ 32SL=3200 36SL=3600 40SL=4000	44HL=4400 48HL=4800 52HL=5200 56HL=5600 60HL=6000 64HL=6400 67HL=6700 72HL=7200 78HL=7800 80HL=8000	LC=Clear Lens LN=Semi-Frost Lens- Narrow LW= Full Frost Lens- Wide	UNV=Universal Voltage 120-277V 347V=347 Volt ⁽⁸⁾ UNC=347V/480V ⁽¹⁹⁾	EL7W=7-watt, 120V-277V emergency battery pack installed ⁽⁴⁾ EL14W=14-watt 120V-277V emergency battery pack installed ⁽⁴⁾ GTR2=Bodine Generator Transfer Relay ⁽¹¹⁾ ETRD=Emergency Transfer Relay with dimming control ⁽¹¹⁾
	Notes (9) DesignLights Consortium® Qualified and classified for both DLC Standard and DLC Premium, refer to www.designlights.org for details.	Notes (1) Nominal lumen output see table for performance values. (2) 2 ft. model. (3) Integral options only available in 4ft model.			Notes (8) 347V option - 60HL and above uses two drivers. (19) 347V listing in DLC is for standard 347V ONLY driver. No DLC listing for UNC.	Notes (3) Integral options only available in 4ft model. (4) With integral test switch/indicator/laser test. For approximate delivered lumens multiply the lumens per watt of the desired fixture by the wattage of the emergency battery pack (100 lm/W x 7=700 lumens). IES-format photometry for luminaire under emergency operation available. (7) Integral EL battery pack is rated for 35°C. (11) Used to bypass local control during outage. Must be used in conjunction with UL 1008 device (provided by others). GTR2 option includes 2 relays on fixtures with dimming drivers. ETRD option only requires one relay when used on a dimming fixture. Must specify voltage as 120V or 277V when ordering these devices.

CCT	Driver Type	Number of Drivers	Integrated Sensing Systems	Packaging
L835=3500K L840=4000K L850=5000K	CD=0-10V Dimming Driver HCD=0-10V Dimming Driver (1% - 100% Dimming) SD=Step-Dim Driver SLTD=Fifth Light (DALI) Driver SR=Sensor-ready (1%-100% Dimming) ⁽¹²⁾	1=1 Driver 2=2 Drivers ⁽⁸⁾	SWPD1=WaveLinX Wireless Integrated Sensor ^{(17),(18),(A)} LWIPD1=LumaWatt Pro Wireless Integrated Sensor ^{(12),(6)} LWTPD1=LumaWatt Pro Wireless Tile-mount Sensor ^{(15),(16),(6)} SVPD1=0-10V Stand-alone, Integrated occupancy and daylight dimming sensor, 500 sq. ft. coverage ⁽⁶⁾ SVPD2=Integrated occupancy and daylight dimming sensor, 900 sq. ft. coverage ^{(6),(10),(14)} SVPD3=Integrated occupancy and daylight dimming sensor, 1200 sq. ft. coverage ^{(5),(14)}	U=Unit Pack
	Notes (12) SR driver compatible with LWI option only.	Notes (8) 347V option - 60HL and above uses two drivers.	Notes (5) For mounting heights up to 30 ft. (6) For mounting heights up to 12 ft. (10) For wall mount applications. (12) SR driver compatible with LWI option only. (14) Integral sensor works with CD and HCD driver and is factory prewired to the driver for stand-alone control. (15) LWT compatible with CD and HCD drivers only. (16) LWT sensor is external to luminaire, cable factory wired. (17)SW compatible with CD and HCD drivers only. (18) SW option must be used in conjunction with a Cooper Lighting Solutions control system. For complete Cooper Lighting Solutions wireless system solutions, visit www.cooperlighting.com Integrated options must be used in conjunction with the associated system and may not be compatible with other options or accessories. Please refer to the following: (A) Consult WaveLinX system pages for additional details and compatibility. (B) Consult LumaWatt Pro system pages for additional details and compatibility. (D) Consult SVPD series system pages for additional details and compatibility.	

Accessories

Accessories (order separately)
SCF=Fixed Stem Set (Specify Length) SCS=Swivel Stem Set (Specify Length) SCA=Adjustable 48" Stem Set A1B/Spacer-U=Spacer 1-1/2" to 2-1/2" from ceiling (Use 2 Per Fixture) ISHH-01=Programming Remote for Integrated Sensor ISHH-02=Personal Control Remote for Integrated Sensor
Notes Integrated options must be used in conjunction with the associated system and may not be compatible with other options or accessories. Please refer to the following: (D) Consult SVPD series system pages for additional details and compatibility.

Product Specifications

Construction

- Die formed cold rolled steel housing
- Decorative white opaque injection molded end plates
- Reflector/channel wireway cover secured by fasteners for easy access
- Numerous channel KO's for easy installation

Controls

- 0-10V dimming to 1% standard
- WaveLinX sensor compatible for IoT capability
- LumaWatt Pro sensor compatible for IoT capability
- SVPD sensor compatible for out of the box functionality
- DLVP sensor and driver compatible for low voltage applications
- DALI 2.0, Lutron, and stepdimming available

Electrical

- Long-life LED system with electrical driver for optimal performance
- Available in 3500K, 4000K, or 5000K with minimum 80 CRI
- TM21 rating up to L91 > 60,000hours

Emergency Battery Pack Option

- Optional 120V-277V integral battery pack in 7w or 14w options
- 90 minute backup period
- Test switch/indicator button with laser pointer testing feature for ground testing
- EZ Key system prevents accidental discharge during construction
- Emergency/Generator transfer options available

Finish

- High reflective post painted finish (PAF)
- Treated in multistage iron phosphate pretreatment

Shielding

- Three lens options available: LC (clear), LN (semi-frost with narrow distribution), and LW (full frost with wide distribution)
- Lens is held in place by removable injection molded white end caps

Installation

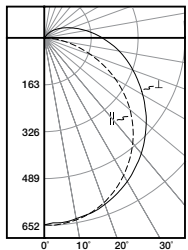
- Surface mount (www woo ceiling)
- Suspended mount

Compliance

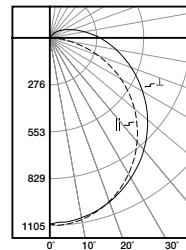
- cULus listed for up to 40C ambient environments
- Damp location listed for ceiling and wall mounting
- Comply with IESNA LM-79 and LM-80 testing standards
- Suitable for use in clothes closets
- Recommended for use in stairwells when installed to NEC 410.16 spacing requirements
- Can be used for State of California Title 24 high efficacy luminaire
- DesignLights Consortium Qualified and classified for both DLC Standard and DLC Premium

Photometric Data

 [View IES files](#)



2SWLED-24HL-LW-UNV-L840-CD1-U
 Electronic Driver
 Linear LED 4000K
 Spacing criterion: (||) 1.25 x mounting height,
 (⊥) 1.32 x mounting height
 Lumens: 2475
 Input Watts: 24W
 Efficacy: 103.1 lm/W
 Test Report: 2SWLED-24HL-LW-UNV-L840-CD1-U-IES



4SWLED-40SL-LW-UNV-L840-CD1-U
 Electronic Driver
 Linear LED 4000K
 Spacing criterion: (||) 1.25 x mounting height,
 (⊥) 1.29 x mounting height
 Lumens: 4015
 Input Watts: 37.9W
 Efficacy: 105.9 lm/W
 Test Report: 4SWLED-40SL-LW-UNV-L840-CD1-U-IES

Energy and Performance Data

Lens Type	Lumen Type	Length	Catalog Number	Nominal Lumens	Wattage	lm/W with LW Lens	Approx. lm/W with LC/LN Lens
Full Frost (LW)	Standard	2 ft.	2SWLED-8SL-LW-UNV-L840-CD1-U	914	9.0	102	120
Full Frost (LW)	Standard	2 ft.	2SWLED-16SL-LW-UNV-L840-CD1-U	1597	15.9	100	118
Full Frost (LW)	Standard	2 ft.	2SWLED-20SL-LW-UNV-L840-CD1-U	1987	20.6	96	115
Full Frost (LW)	High	2 ft.	2SWLED-24HL-LW-UNV-L840-CD1-U	2475	24	103	133
Full Frost (LW)	High	2 ft.	2SWLED-28HL-LW-UNV-L840-CD1-U	2813	27.9	101	130
Full Frost (LW)	Standard	4 ft.	4SWLED-16SL-LW-UNV-L840-CD1-U	1626	14.3	114	148
Full Frost (LW)	Standard	4 ft.	4SWLED-16SL-LW-UNV-L840-CD1-U	1983	17.6	113	146
Full Frost (LW)	Standard	4 ft.	4SWLED-28SL-LW-UNV-L840-CD1-U	2841	24.8	115	148
Full Frost (LW)	Standard	4 ft.	4SWLED-32SL-LW-UNV-L840-CD1-U	3217	28.6	112	145
Full Frost (LW)	Standard	4 ft.	4SWLED-36SL-LW-UNV-L840-CD1-U	3573	32.8	109	141
Full Frost (LW)	Standard	4 ft.	4SWLED-40SL-LW-UNV-L840-CD1-U	4015	37.9	106	137
Full Frost (LW)	Standard	4 ft.	4SWLED-44HL-LW-UNV-L840-CD1-U	4436	39.7	106	145
Full Frost (LW)	High	4 ft.	4SWLED-48HL-LW-UNV-L840-CD1-U	4899	44.6	110	143
Full Frost (LW)	High	4 ft.	4SWLED-52HL-LW-UNV-L840-CD1-U	5175	47.7	108	140
Full Frost (LW)	High	4 ft.	4SWLED-56HL-LW-UNV-L840-CD1-U	5623	52.9	106	137
Full Frost (LW)	High	4 ft.	4SWLED-60HL-LW-UNV-L840-CD1-U	5977	53.7	111	144
Full Frost (LW)	High	4 ft.	4SWLED-64HL-LW-UNV-L840-CD1-U	6369	58.2	109	141
Full Frost (LW)	High	4 ft.	4SWLED-67HL-LW-UNV-L840-CD1-U	6708	61.9	108	140
Full Frost (LW)	High	4 ft.	4SWLED-72HL-LW-UNV-L840-CD1-U	7201	67.7	106	137
Full Frost (LW)	High	4 ft.	4SWLED-78HL-LW-UNV-L840-CD1-U	7832	75.4	104	135
Full Frost (LW)	High	4 ft.	4SWLED-80HL-LW-UNV-L840-CD1-U	8060	78.4	103	133

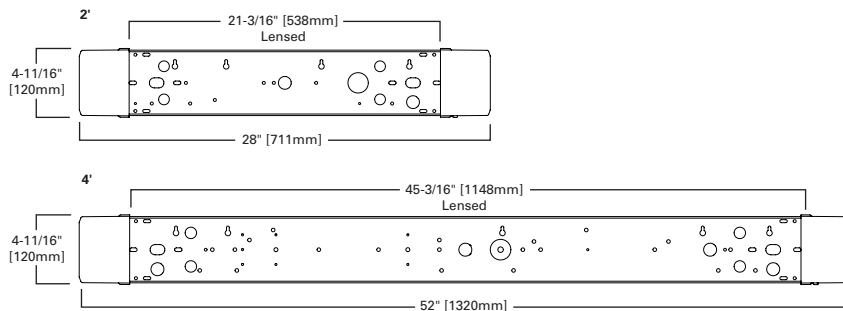
CCT Table

Approximate Color Temperature Multiplier	
5000K	1.03
4000K	1.00
3500K	0.98

Shipping Data

Catalog No.	Wt.
2SWLED	6 lbs.
4SWLED	12 lbs.

Dimensional and Mounting Details



Control Systems

- WaveLinx
- DLVP
- LumaWatt Pro
- iLumin Plus
- VividTune

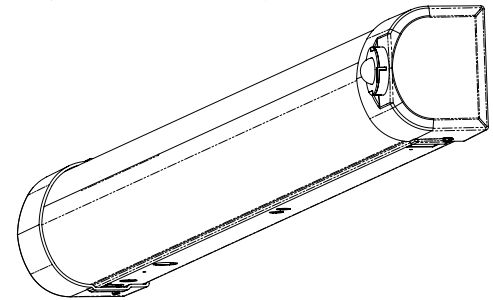
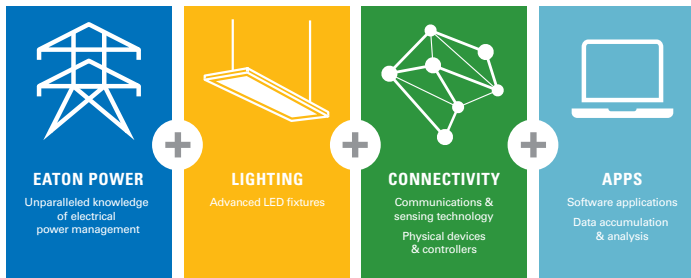
The SWLED with Integrated Sensor technology provides automatic energy savings without sacrificing performance. Traditionally, these types of energy savings required coordination between the luminaire and a lighting control system. The SWLED delivers superior lighting with integrated occupancy and daylighting controls.

Capture the benefits of traditional lighting controls, without complicated coverage planning or special wiring. Ideal for new construction or retrofit, the SWLED delivers automatic ON to an energy saving light level, while ensuring lighting is turned OFF when the space is unoccupied.

The integral daylight sensor reduces the need for special daylight zone planning. Each luminaire will automatically adjust the light level based on reflected light beneath the sensor in a closed loop method.

The integral sensor can be offered in both standalone (SVPD1) and networked (SWPD1, LWIPD1, and SLVPD1) for application versatility.

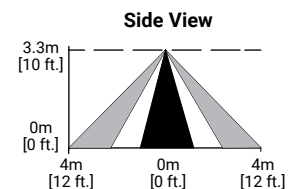
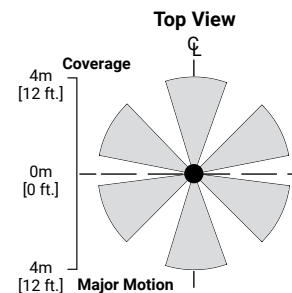
We make connections work



Systems comparison chart

Eaton provides many lighting system solutions designed to satisfy code requirements and meet the unique needs of any project.

	Distributed Low-Voltage Power System	WaveLinx	LumaWatt Pro
Space type	Interior	Interior/Outdoor	Any
Stand-alone or Network	Stand-alone	Both	Network
Need-based feature progression			
Basic compliance only	●	●	●
Occupancy sensing	●	●	●
Daylight harvesting	●	●	●
Zone control	●	●	●
Scheduling	●	●	●
0-10V dimming	●	●	●
Individual fixture control	●	●	●
Retrofit+Building Integration	●	●	●
Total wireless connectivity		●	●
A/V integration		●	●
BMS integration		●	●
UI options (touchscreen, apps, etc.)		●	●
Enterprise level building integration		●	●
Facility management & tools		●	●
Floor plan & reporting tools		●	●
Value-added services			●
Asset tracking			●
API integration		●	●
Analytics/higher problem solving			●



Recommended Mounting Height 8-12 ft.

Installation of integrated sensors within 3-ft (1m) of HVAC air vents is not recommended.