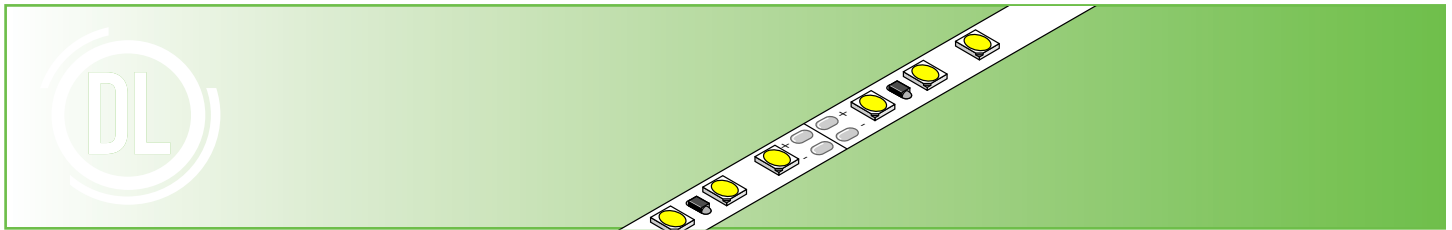


Item # _____

Project _____



		12V-BLBSC1	12V-BLBSC2	24V-BLBSC1	24V-BLBSC2	24V-BLBSC3
Voltage		12VDC		24VDC		
Wattage		1.46W /ft.	2.93/ft.	1.46W /ft.	2.93/ft.	4.5W /ft.
Lumens	2700K	117/ft.	212/ft.	113/ft.	233/ft.	338/ft.
	3000K	121/ft.	221/ft.	117/ft.	237/ft.	344/ft.
	3500K	117/ft.	236/ft.	126/ft.	249/ft.	329/ft.
	4200K	131/ft.	252/ft.	133/ft.	265/ft.	344/ft.
	5000K	130/ft.	256/ft.	132/ft.	261/ft.	338/ft.
	6300K	121/ft.	272/ft.	123/ft.	276/ft.	341/ft.
Max. Run¹		27 ft.	20 ft.	55 ft.	40 ft.	22 ft.
Cut Points		2 in.	1 in.	4 in.	2 in.	2 in.
LED Chips		18/ft	36/ft	18/ft	36/ft	36/ft
Color Temperature		2700K, 3000K, 3500K, 4200K, 5000K, 6300K				
CRI		90+				
Dimmable		Yes				
Dimensions		0.39 x 0.1 in. (W x H)				
Environment²		Indoor / Damp Location				
Certification		UL Listed 2108				
Warranty		7-Year Warranty				

SKU Builder

DI	-	<input type="text"/>	-	<input type="text"/>	-	<input type="text"/>	-	<input type="text"/>
		Voltage		Model		Color Temp		Length (in.)
		12V		BLBSC1		27 42		Length (in.) (Custom)
		24V		BLBSC2		30 50		SP16 (Spool)
				BLBSC3		35 63		SP100 (Spool)

Example: DI-24V-BLBSC3-27-016 = Diode LED, 24 Volt, BLAZE™ BASICS, Type 3, 2,700° CCT, 16.4 foot
 © 2020 Elemental LED, Inc. All rights reserved. Specifications are subject to change without notice.

Toll Free: 877.817.6028 | Fax: 415.592.1596 | www.DiodeLED.com | info@DiodeLED.com

BLAZE™ BASICS 100/200/300 LED Tape Light

SPECIFICATION SHEET

SPECIFICATIONS

- LED Chip Type: 3528 GuangMu Chip
- LED Chip Beam Angle: 120°
- Luminous Efficacy³ (lm/w): 70~77
- Mounting⁴: 3M 55236 Adhesive Backing
- Connections⁵: 2.5 inch hard-wire lead: 20/2 AWG
- Ambient Temp⁶: -4 ~ 122°F (-20 ~ 50°C)
- Operating Temp⁷: -4 ~ 176°F (-20 ~ 80°C)

COMPLIANCE & REGULATORY APPROVALS

Safety

- UL Listed 2108 Low Voltage Lighting System / Low Voltage Luminaire. UL 1598 / CSA 250.0-08, UL 8750. UL 879 / CAN/CSA-C22.2 no. 207-M89. Certified for United States and Canada. File # E469769.
- UL Listed Field Cuttable.
- UL Recognized Component - Sign Accessories. Available in UL Sign Components Manual (SAMS Manual). File # E469770.
- CE & EMC Compliant: Verification No. GZEM141200683705V
- Approved for storage areas of clothes closets per NEC 410.16.A.3 and 410.16.C.5

Environmental

- RoHS Compliant: Verification No. CANEC1610091501

Performance

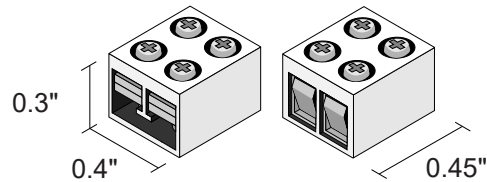
- Can be used to comply with TITLE 24 Part 6 High efficacy LED requirements - JA8-2016-E
- LED chip data measured in accordance to IES LM-80-08.
- Photometric & Colorimetry data measured in accordance to IES LM-79-08, in Elemental LED's Innovation Lab.

COMPATIBLE DRIVERS & CONTROLS

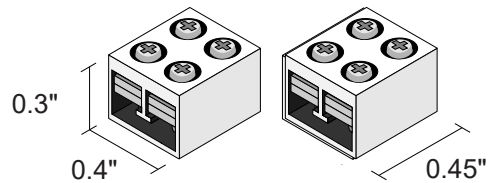
Visit the product page at www.DiodelED.com for compatible LED drivers & controls. See the Installation Guide for system diagrams.

ACCESSORIES

TERMINAL BLOCK CONNECTOR (Tape-to-Wire) DI-TB-CONN-TTW



TERMINAL BLOCK CONNECTOR (Tape-to-Tape) DI-TB-CONN-TTT



ADDITIONAL ACCESSORIES

Accessories listed below fully support our Tape Light product line. Further information on these products and more accessories can be found in our latest catalog or online at www.DiodelED.com.

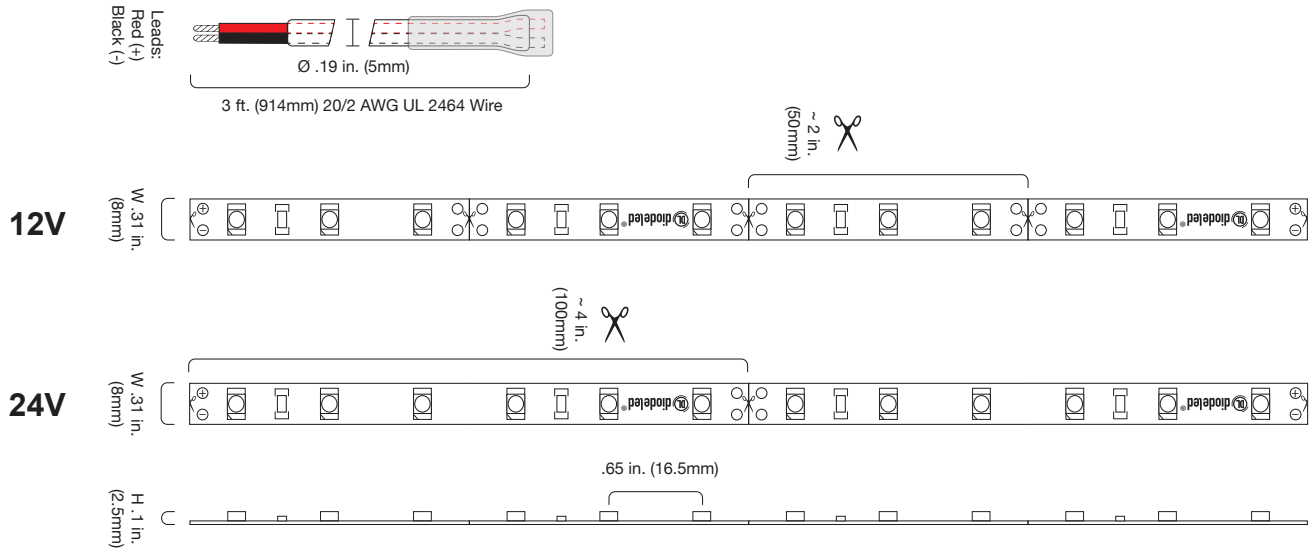
1. Each maximum run requires a dedicated power feed from the driver. Do not extend beyond the recommended maximum run length.
2. All plastics are affected by the elements and may shift in color and other properties after product installation, particularly with direct exposure to sun, chlorinated water, and other chemicals.
3. Actual efficacy value is dependent to specified LED driver (power supply). An estimated efficacy value can be calculated as follows: Lumen value divided by average power consumption per foot.
4. Ideal tape application temperature range is 70°F to 100°F (21°C to 38°C). Initial tape application to surfaces at temperatures below 50°F (10°C) is not recommended because the adhesive becomes too firm to adhere readily. However, once properly applied, low temperature holding is generally satisfactory.
5. Wire leads and accessories are not rated for in-wall installation unless otherwise noted. Attached wire leads and connections are field-cuttable.
6. Do not install product in an environment outside the listed ambient temperature. Exceeding the maximum ambient temperature may damage LED chips, reduce the total lamp life, lumen output, and/or adversely impact color consistency.
7. Operating temperature is measured according to the minimum and maximum ambient temperature environment.

BLAZE™ BASICS 100/200/300 LED Tape Light

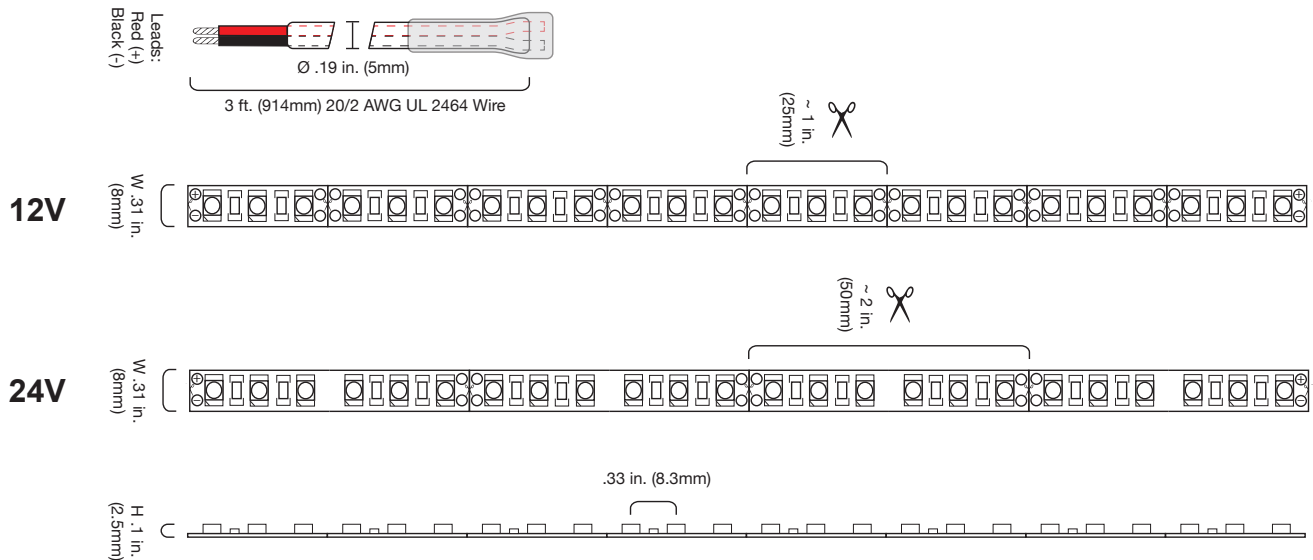
SPECIFICATION SHEET

MECHANICAL DIAGRAMS

BLAZE™ BASIC 100



BLAZE™ BASIC 200 & 300



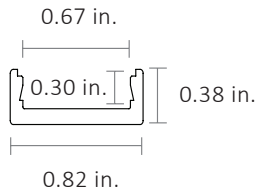
BLAZE™ BASICS 100/200/300 LED Tape Light

SPECIFICATION SHEET

CHROMAPATH BUILDER CHANNELS

NOTE: Chromapath Builder channel covers are sold separately.

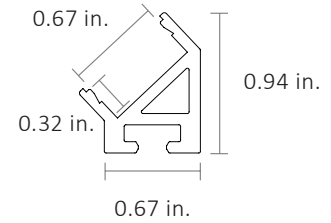
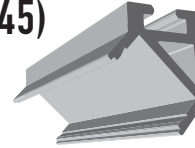
CHROMAPATH® BUILDER SLIM (SL)



CHANNEL ONLY SKU	FINISH	LENGTH	PRODUCT INCLUDES
DI-CPCHA-SL48**	AL	48 in.	Mounting Clips sold separately.
DI-CPCHA-SL48W**	WH		
DI-CPCHA-SL48B**	BL		
DI-CPCHA-SL96**	AL	96 in.	
DI-CPCHA-SL96W**	WH		
DI-CPCHA-SL96B**	BL		

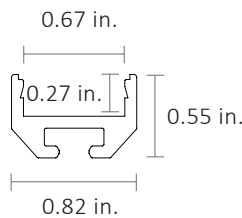
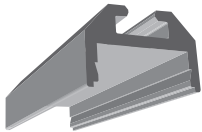
** - SKUs listed above are for Single Channels only. Add a -10 for a 10 pack bundle (10 pack will include 10x the amount included accessories)

CHROMAPATH® BUILDER 45° (45)



CHANNEL ONLY SKU	FINISH	LENGTH	PRODUCT INCLUDES
DI-CPCHA-4548**	AL	48 in.	4 Mounting Clips with screws and 2 End-to-End Interconnects.
DI-CPCHA-4548W**	WH		
DI-CPCHA-4548B**	BL		
DI-CPCHA-4596**	AL	96 in.	8 Mounting Clips with screws and 4 End-to-End Interconnects.
DI-CPCHA-4596W**	WH		
DI-CPCHA-4596B**	BL		

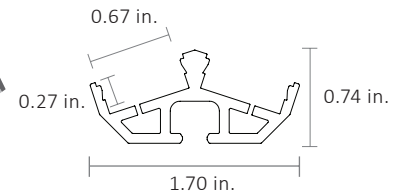
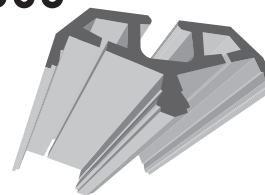
CHROMAPATH® BUILDER SQUARE (SQ)



CHANNEL ONLY SKU	FINISH	LENGTH	PRODUCT INCLUDES
DI-CPCHA-SQ48**	AL	48 in.	4 Mounting Clips with screws and 2 End-to-End Interconnects.
DI-CPCHA-SQ48W**	WH		
DI-CPCHA-SQ48B**	BL		
DI-CPCHA-SQ96**	AL	96 in.	8 Mounting Clips with screws and 4 End-to-End Interconnects.
DI-CPCHA-SQ96W**	WH		
DI-CPCHA-SQ96B**	BL		

** - SKUs listed above are for Single Channels. Add a -10 for a 10 pack bundle (10 pack will include 10x the amount included accessories)

CHROMAPATH® BUILDER DUO



SKU	FINISH	LENGTH	PRODUCT INCLUDES
DI-CPCHA-DU48**	AL	48 in.	4 Mounting Clips
DI-CPCHA-DU48W**	WH		
DI-CPCHA-DU48B**	BL		

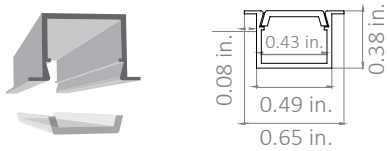
BLAZE™ BASICS 100/200/300 LED Tape Light

SPECIFICATION SHEET

CHROMAPATH BUNDLE CHANNELS

NOTE: CHROMAPATH Bundles are not interchangeable with each other nor compatible with CHROMAPATH Builder channels.

CHROMAPATH® BUNDLE SLIM RECESSED (SLR)



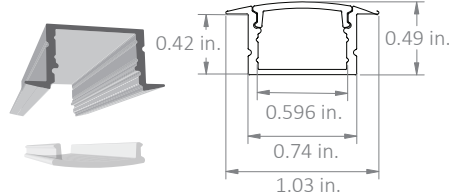
CHANNEL ONLY SKU

PRODUCT INCLUDES

DI-CPCHA-SLR48
DI-CPCHA-SLR96

- 48 and 96 in. channel & frosted cover
- End caps: 1x open square, 1x open round, 1x closed square.

CHROMAPATH® BUNDLE RECESSED (REC)



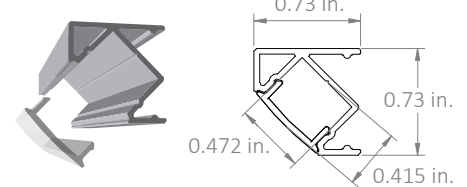
CHANNEL ONLY SKU

PRODUCT INCLUDES

DI-CPCHB-REC-48
DI-CPCHB-REC-96

- 48 and 96 in. channel & frosted cover
- End caps: 1x open, 1x closed
- Mounting hardware

CHROMAPATH® BUNDLE 45° DECO (45DC)



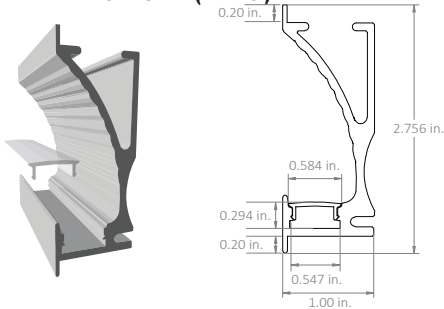
CHANNEL ONLY SKU

PRODUCT INCLUDES

DI-CPCHB-45DCO-48
DI-CPCHB-45DCO-96

- 48 & 96 in. channel & frosted cover
- End caps: 1x open, 1x closed
- Mounting hardware

CHROMAPATH® BUNDLE REFLECTOR (RFC)



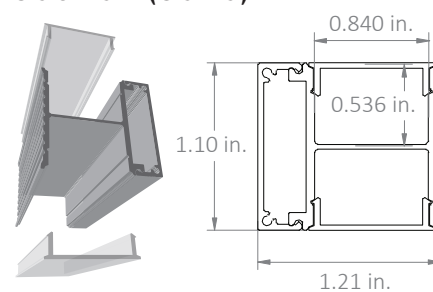
CHANNEL ONLY SKU

PRODUCT INCLUDES

DI-CPCHB-RFCTR-48
DI-CPCHB-RFCTR-96

- 48 and 96 in. channel & frosted cover
- End caps: 1x open, 1x closed

CHROMAPATH® BUNDLE SCONCE (SCNC)



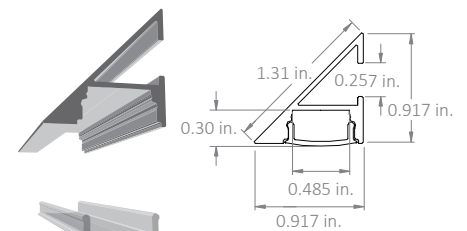
CHANNEL ONLY SKU

PRODUCT INCLUDES

DI-CPCHB-SCNC-48
DI-CPCHB-SCNC-96

- 48 and 96 in. channel, 48 in. mounting plate, 2x frosted covers
- End caps: 1x open, 1x closed

CHROMAPATH® BUNDLE 90° SIDEVIEW (90DC)



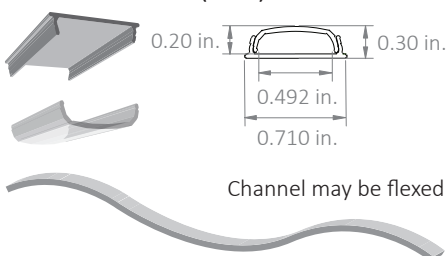
CHANNEL ONLY SKU

PRODUCT INCLUDES

DI-CPCHB-REC-48
DI-CPCHB-REC-96

- 48 and 96 in. channel & frosted cover
- End-caps: 1x open, 1x closed
- Mounting hardware

CHROMAPATH® BUNDLE WAVEFORM (WF)



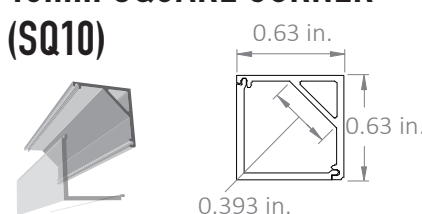
CHANNEL ONLY SKU

PRODUCT INCLUDES

DI-CPCHB-WF-48
DI-CPCHB-WF-96

- 48 and 96 in. channel & frosted cover
- End caps: 1x open, 1x closed
- 2x mounting clip

CHROMAPATH® BUNDLE 10mm SQUARE CORNER (SQ10)



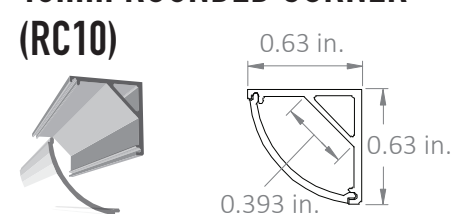
CHANNEL ONLY SKU

PRODUCT INCLUDES

DI-CPCHB-SQC10-48
DI-CPCHB-SQC10-96

- 48 and 96 in. channel & frosted cover
- End-caps: 1x open, 1x closed
- Mounting hardware

CHROMAPATH® BUNDLE 10mm ROUNDED CORNER (RC10)



CHANNEL ONLY SKU

PRODUCT INCLUDES

DI-CPCHB-RC10-48
DI-CPCHB-RC10-96

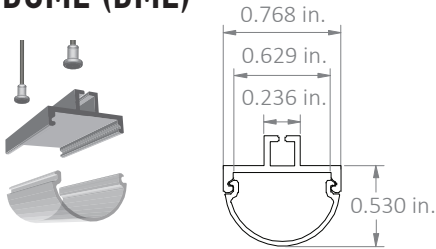
- 48 and 96 in. channel & frosted cover
- End-caps: 1x open, 1x closed
- Mounting hardware

BLAZE™ BASICS 100/200/300 LED Tape Light

SPECIFICATION SHEET

CHROMAPATH BUNDLE CHANNELS (CONT.)

CHROMAPATH® BUNDLE DOME (DME)



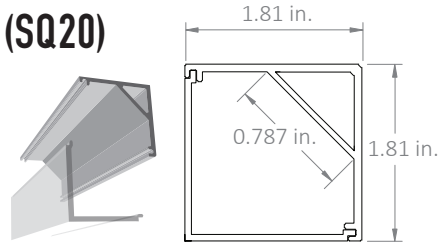
CHANNEL ONLY SKU

DI-CPCHB-DOME-48
DI-CPCHB-DOME-96

PRODUCT INCLUDES

- 48 and 96 in. channel & frosted cover
- End caps: 1x open, 1x closed
- 2x pendant hardware

CHROMAPATH® BUNDLE 20mm SQUARE CORNER (SQ20)



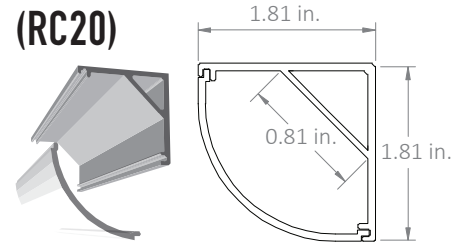
CHANNEL ONLY SKU

DI-CPCHB-SQC20-48
DI-CPCHB-SQC20-96

PRODUCT INCLUDES

- 48 and 96 in. channel & frosted cover
- End-caps: 1x open, 1x closed
- Mounting hardware

CHROMAPATH® BUNDLE 20mm ROUNDED CORNER (RC20)



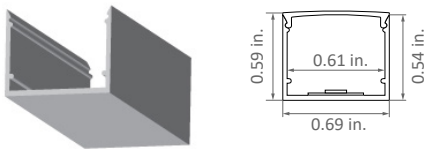
CHANNEL ONLY SKU

DI-CPCHB-RC20-48
DI-CPCHB-RC20-96

PRODUCT INCLUDES

- 48 and 96 in. channel & frosted cover
- End-caps: 1x open, 1x closed
- Mounting hardware

CHROMAPATH® BUNDLE CANAL (CA)



CHANNEL ONLY SKU

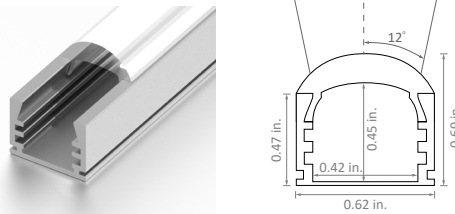
DI-CPCHB-CAN48

DI-CPCHB-CAN96

PRODUCT INCLUDES

- 48 and 96 in. channel & opal cover
- End caps: 1x open, 1x closed
- 2x mounting clip
- 96 in. channel & opal cover
- End caps: 2x open, 2x closed
- 4x mounting clip

CHROMAPATH® BUNDLE GRAZER NARROW BEAM (GRZNB)



CHANNEL ONLY SKU

DI-CPCHB-GZRN-48

DI-CPCHB-GZRN-96

PRODUCT INCLUDES

- 48 in. channel & clear matte optic lens
- End caps: 48 in. 1x open, 1x closed
- 2x mounting clip
- 96 in. channel & clear matte optic lens
- End caps: 2x open, 2x closed
- 4x mounting clips

BLAZE™ BASICS 100/200/300 LED Tape Light

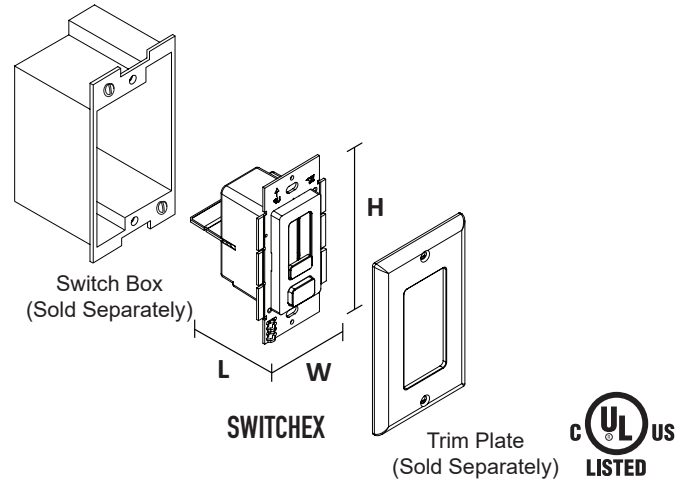
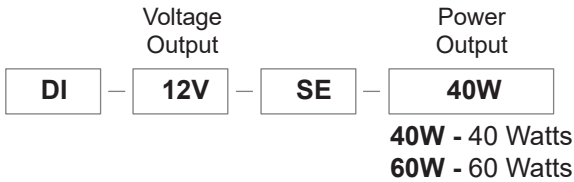
SPECIFICATION SHEET

12V LED DRIVERS (Required)

The following Listed LED Drivers are recommended to meet NEC code when installed according to specifications. For additional LED Driver options see Diode LED's product page at: <https://www.diodeled.com/products/led-power-supplies.html>

SWITCHEX® DRIVER + DIMMER SWITCH

SWITCHEX combines an LED driver and LED dimmer switch into a single integrated unit. Fits into standard switch boxes.

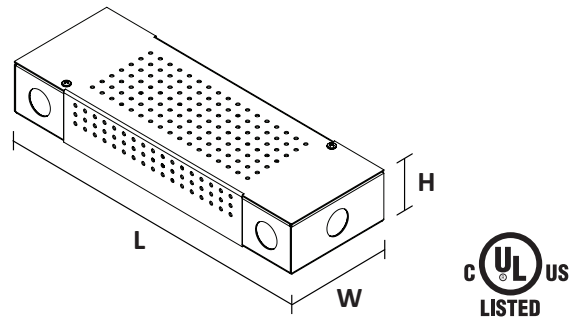
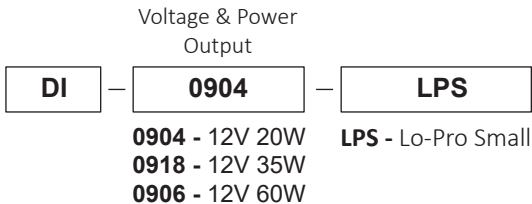


SKU	L - LENGTH	W - WIDTH	H - HEIGHT
DI-12V-SE-40W			
DI-12V-SE-60W			

Fits in Standard Switch Box

LO-PRO® JUNCTION BOX & DRIVER COMBO - 12V CONSTANT VOLTAGE LED DRIVER

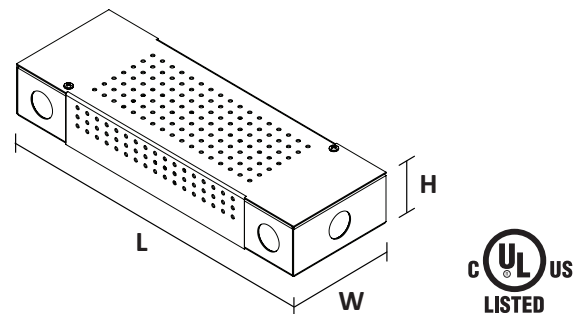
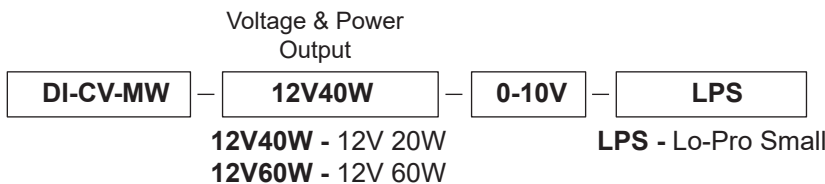
Use Constant Voltage Drivers to power your low voltage tape light. Compatible with Standard 120VAC On/Off Switches, REIGN® 12-24V Low Voltage Dimmers, TOUCHDIAL™ Control System, DMX Decoders, and PWM Controls.



SKU	L - LENGTH	W - WIDTH	H - HEIGHT
DI-0904-LPS			
DI-0918-LPS	11.25 in.	3.75 in.	1.90 in.
DI-0906-LPS			

LO-PRO® JUNCTION BOX & DRIVER COMBO - 12V COMMERCIAL GRADE 0-10V LED DIMMABLE DRIVER

Compatible with 0-10V controls and dimmer systems.



SKU	L - LENGTH	W - WIDTH	H - HEIGHT
DI-CV-MW-12V40W-0-10V-LPS			
DI-CV-MW-12V60W-0-10V-LPS	11.25 in.	3.75 in.	1.90 in.

BLAZE™ BASICS 100/200/300 LED Tape Light

SPECIFICATION SHEET

12V LED DRIVERS (Required)

The following Listed LED Drivers are recommended to meet NEC code when installed according to specifications. For additional LED Driver options see Diode LED's product page at: <https://www.diodeled.com/products/led-power-supplies.html>

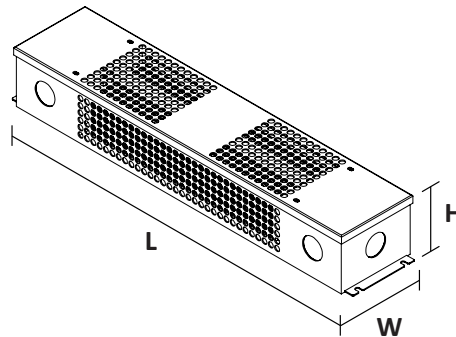
OMNIDRIVE® 2 ELECTRONIC DIMMABLE LED DRIVER

OMNIDRIVE 2 features a zero minimum load and 100-5% dimming range. Compatible with Forward Phase and Reverse Phase Dimmers.

Voltage & Power
Output



12V24W - 12V 24W
12V60W - 12V 60W
12V120W - 12V 120W
12V200W - 12V 200W



SKU	L - LENGTH	W - WIDTH	H - HEIGHT
DI-OD2-12V24W	13.75 in.	3.00 in.	1.60 in.
DI-OD2-12V60W	13.75 in.	3.00 in.	1.60 in.
DI-OD2-12V120W	15.00 in.	3.10 in.	2.40 in.
DI-OD2-12V200W	16.10 in.	3.40 in.	2.40 in.

LUTRON® Hi-lume 1% LED DIMMABLE DRIVER

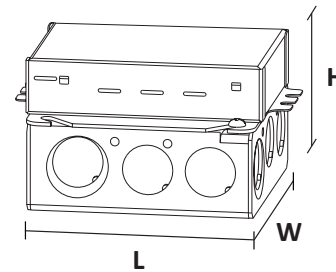
Hi-lume 1% LED driver has a minimum load of 5W and Dims from 100-1%.

Voltage & Power
Output

3-Wire or 2-Wire Dimmers



L3D - Lutron Hi-lume 1% EcoSystem /3-Wire Voltage LED Driver
LTE - Lutron Hi-lume 1% 2-Wire LED Driver (120V Forward Phase Only)



SKU	L - LENGTH	W - WIDTH	H - HEIGHT
DI-DM-12V40W-L3D	4.89 in.	4.00 in.	2.62 in.
DDI-DM-12V40W-LTE			

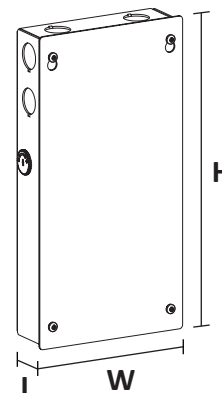
LUTRON® Hi-lume Premier 0.1% LED DIMMABLE DRIVER

Hi-Lume Premier 0.1% LED driver has a minimum load of 5W and Dims from 100-0.1%.

Voltage & Power
Output



L3D - Lutron Hi-lume Premier 0.1% EcoSystem/3-Wire LED Driver



SKU	L - LENGTH	W - WIDTH	H - HEIGHT
DI-DM-24V96W-L3D	5.50 in.	2.20 in.	10.50 in.

BLAZE™ BASICS 100/200/300 LED Tape Light

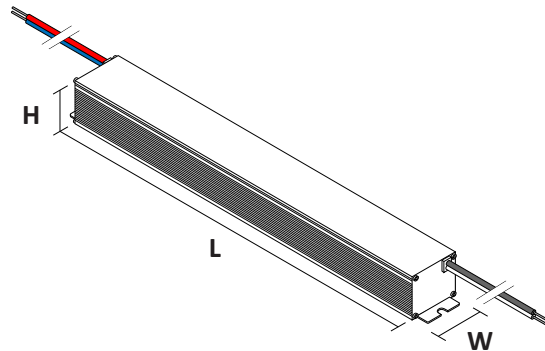
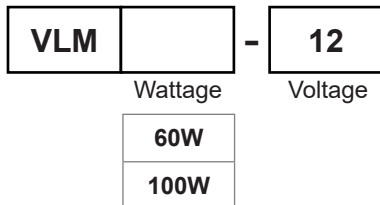
SPECIFICATION SHEET

12V LED DRIVERS (Required)

The following Listed LED Drivers are recommended to meet NEC code when installed according to specifications. For additional LED Driver options see Diode LED's product page at: <https://www.diodeled.com/products/led-power-supplies.html>

VLM SERIES CONSTANT VOLTAGE DRIVER

Use Constant Voltage Drivers to power your low voltage tape light. Compatible with Standard 120VAC On/Off Switches, REIGN® 12-24V Low Voltage Dimmers, TOUCHDIAL™ Control System, DMX Decoders, and PWM Controls.



SKU	L - LENGTH	W - WIDTH	H - HEIGHT
VLM60W-12	5.1 in.	.75 in.	.77 in.
VLM100W-12	5.38 in.	1 in.	.77 in.

BLAZE™ BASICS 100/200/300 LED Tape Light

SPECIFICATION SHEET

24V LED DRIVERS (Required)

The following Listed LED Drivers are recommended for compatibility and to meet NEC code when installed according to specifications. For additional LED Driver options see Diode LED's product page at: <https://www.diodeled.com/products/led-power-supplies.html>

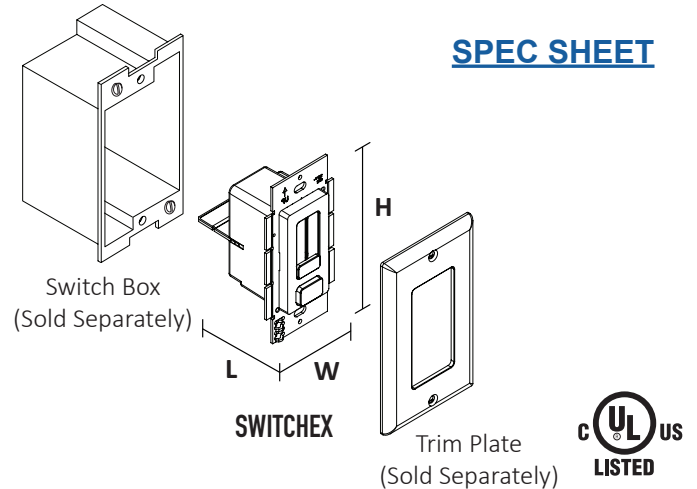
SWITCHEX® DRIVER + DIMMER SWITCH

SWITCHEX combines an LED driver and LED dimmer switch into a single integrated unit. Fits into standard switch boxes.



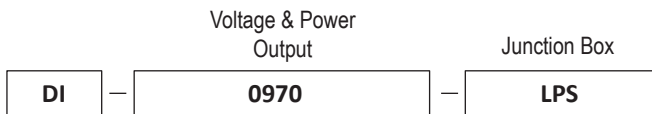
SKU	L - LENGTH	W - WIDTH	H - HEIGHT
DI-24V-SE-60W	1.40 in.	2.10 in.	4.10 in.
DI-24V-SE-100W	1.40 in.	2.10 in.	4.10 in.

Fits in Standard Switch Box

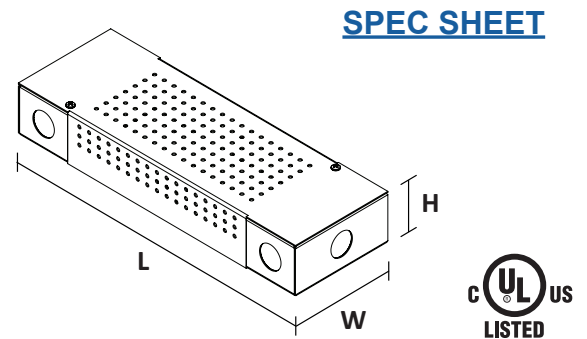


LO-PRO® JUNCTION BOX & DRIVER COMBO - 24V CONSTANT VOLTAGE LED DRIVER

Use Constant Voltage Drivers to power your lighting system. Compatible with Standard 120VAC On/Off Switches, REIGN® Low Voltage Dimmers, TOUCHDIAL™ Control System, DMX Decoders, and PWM Controls.

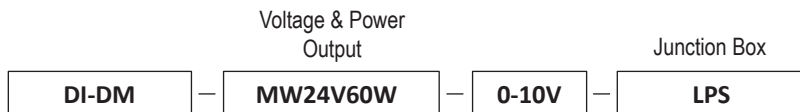


SKU	L - LENGTH	W - WIDTH	H - HEIGHT
DI-0970-LPS	11.25 in.	3.75 in.	1.90 in.
DI-CV-MW24V60W-277-LPS	11.25 in.	3.75 in.	1.90 in.
DI-CV-MW24V90W-277-LPS	11.25 in.	3.75 in.	1.90 in.
DI-0954-LPL	13.5 in.	4.5 in.	2.37 in.

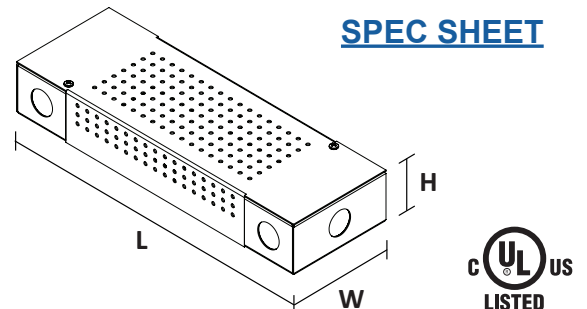


LO-PRO® JUNCTION BOX & DRIVER COMBO - 24V COMMERCIAL GRADE 0-10V LED DIMMABLE DRIVER

Compatible with 0-10V controls and dimming systems.



SKU	L - LENGTH	W - WIDTH	H - HEIGHT
DI-DM-MW-24V60W-0-10V-LPS	11.25 in.	3.75 in.	1.90 in.
DI-DM-MW-24V90W-0-10V-LPL	13.5 in.	4.5 in.	2.37 in.



BLAZE™ BASICS 100/200/300 LED Tape Light

SPECIFICATION SHEET

24V LED DRIVERS CONT. (Required)

The following Listed LED Drivers are recommended for compatibility and to meet NEC code when installed according to specifications. For additional LED Driver options see Diode LED's product page at: <https://www.diodeled.com/products/led-power-supplies.html>

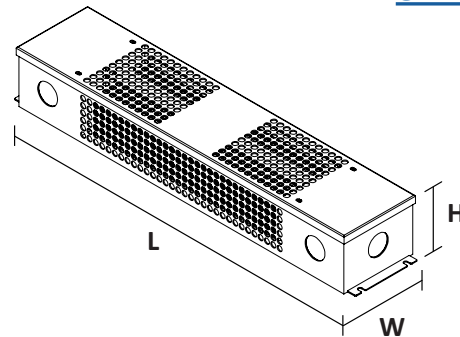
OMNIDRIVE® 2 ELECTRONIC DIMMABLE LED DRIVER

OMNIDRIVE 2 features a zero minimum load and 100-5% dimming range. Compatible with Forward Phase and Reverse Phase Dimmers. Please see Diode LED's Compatibility List at: <https://www.diodeled.com/custom/download/productFile/filename/DI-OD2-Compatibility%20List.pdf>

Voltage & Power
Output



SKU	L - LENGTH	W - WIDTH	H - HEIGHT
DI-OD2-24V24W	13.75 in.	3.00 in.	1.60 in.
DI-OD2-24V60W	13.75 in.	3.00 in.	1.60 in.
DI-OD2-24V96W	15.00 in.	3.10 in.	2.40 in.
DI-OD2-24V120W	15.00 in.	3.10 in.	2.40 in.
DI-OD2-24V200W	16.10 in.	3.40 in.	2.40 in.



[SPEC SHEET](#)



LUTRON® Hi-lume 1% LED DIMMABLE DRIVER

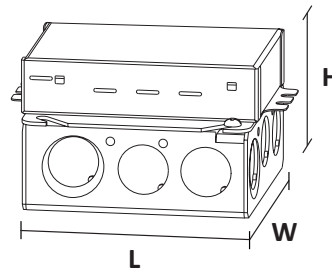
Hi-lume 1% LED Driver has a minimum load of 5W and dims from 100-1%.

Voltage & Power
Output

3-Wire or 2-Wire Dimmers



SKU	L - LENGTH	W - WIDTH	H - HEIGHT
DI-DM-24V40W-L3D	4.89 in.	4.00 in.	2.62 in.
DI-DM-24V40W-LTE			



[L3D SPEC SHEET](#)

[LTE SPEC SHEET](#)



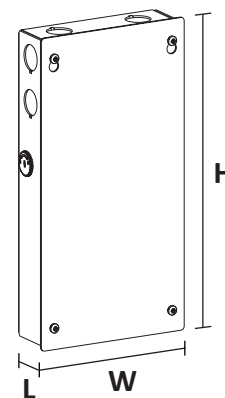
LUTRON® Hi-lume Premier 0.1% LED DIMMABLE DRIVER

Hi-Lume Premier 0.1% LED Driver has a minimum load of 5W and dims from 100-0.1%.

Voltage & Power
Output



SKU	L - LENGTH	W - WIDTH	H - HEIGHT
DI-DM-24V96W-L3D	5.50 in.	2.20 in.	10.50 in.



[SPEC SHEET](#)



BLAZE™ BASICS 100/200/300 LED Tape Light

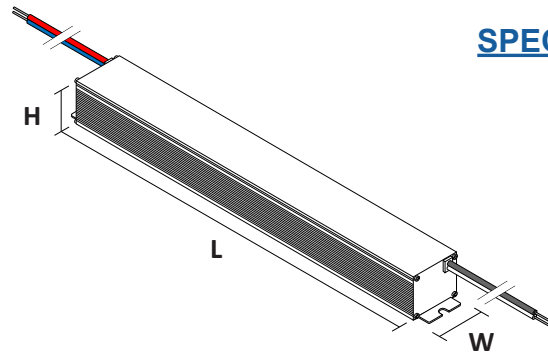
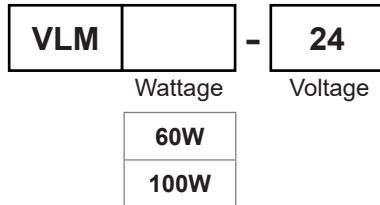
SPECIFICATION SHEET

24V LED DRIVERS (Required)

The following Listed LED Drivers are recommended to meet NEC code when installed according to specifications. For additional LED Driver options see Diode LED's product page at: <https://www.diodeled.com/products/led-power-supplies.html>

VLM SERIES CONSTANT VOLTAGE DRIVER

Use Constant Voltage Drivers to power your low voltage tape light. Compatible with Standard 120VAC On/Off Switches, REIGN® 12-24V Low Voltage Dimmers, TOUCHDIAL™ Control System, DMX Decoders, and PWM Controls.



[SPEC SHEET](#)

SKU	L - LENGTH	W - WIDTH	H - HEIGHT
VLM60W-24	5.1 in.	.75 in.	.77 in.
VLM100W-24	5.38 in.	1 in.	.77 in.



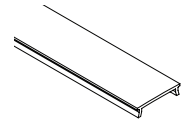
BLAZE™ BASICS 100/200/300 LED Tape Light

SPECIFICATION SHEET

ACCESSORIES

CHROMAPATH® BUILDER CHANNEL COVERS (individual*) - SLIM / SQUARE / 45° / DUO

SKU	FINISH	FORM FACTOR	BUNDLES	DESCRIPTION
DI-CPCHC-FR48**	Frosted	Frosted Cover (48 in.)	Single or 10 Pack	Protects LED tape light and slightly softens light. Note: there is an average warm shift in Kelvin of 35K and an average 28% decrease in delivered lumens.
DI-CPCHC-FR96**	Frosted	Frosted Cover (96 in.)		
DI-CPCHC-CL48**	Clear	Clear Cover (48 in.)		Protects LED tape light with no visible color shift or change in delivered lumens.
DI-CPCHC-CL96**	Clear	Clear Cover (96 in.)		

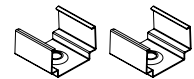


*not for use with Fully Loaded Channels

** - SKUs listed above are for Single covers. Add a -10 for a 10 pack bundle.

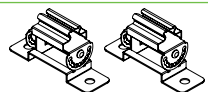
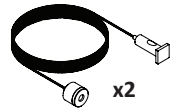
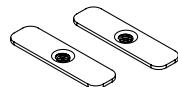
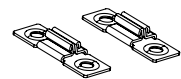
CHROMAPATH® BUILDER CHANNEL MOUNTING OPTIONS - SLIM

SKU	FINISH	FORM FACTOR	BUNDLES	DESCRIPTION
DI-1633	N/A	SLIM Mounting Tape	4 ft. x 0.75 in.	3M® high-bond double-sided adhesive tape designed to install the CHROMAPATH SLIM on a flat, indoor surface.
DI-1634			12 ft. x 0.75 in.	
DI-CPCH-UC-BA DI-CPCH-UC-WH DI-CPCH-UC-BL	AL WH BL	SLIM Mounting U-Clips	Pack of 2 clips / 4 screws	Secure SLIM Channel to flat surface with this pressure-fit clip. Also compatible when installed with PREMIUM DIFFUSION cover. Adds 0.12in. height to channel.



CHROMAPATH® BUILDER CHANNEL MOUNTING OPTIONS - SQUARE / 45° / DUO

SKU	FINISH	FORM FACTOR	BUNDLES	DESCRIPTION
DI-CPMC2-SCR4	Steel	Mounting Clips (MTC)	Pack of 2 clips / 4 screws	Secure CHROMAPATH to flat surface with this pressure-fit clip. Adds 0.12in. height to channel.
DI-1630-20			Pack of 20 clips / 40 screws	
DI-1912	Steel	Vertical Mounting Brackets (VERT)	Pack of 2	Used to install CHROMAPATH in a vertical orientation and includes an Allen key and allen screws for securing to a vertical surface. Note: Mounting Clips, or Rotating Mounting Clips required for installation of Vertical Mounting Brackets.
DI-CPCH-HNG	Steel	Hanging Hardware Kit (HNG)	Pack of 2 hanging mounts / 2 Wire restrainers / 4 screws	Transform your CHROMAPATH Channel into a pendent fixture with CHROMAPATH Hanging Hardware Kit.
DI-CPCH-RC-BA DI-CPCH-RC-WH DI-CPCH-RC-BL	AL WH BL	Rotating Mounting Clips (RTC)	Pack of 2 clips / 4 screws	Secure CHROMAPATH to flat surface and adjust to desired angle with this pressure-fit clip. Adds 0.74in. height to channel.



SKU	BUNDLES	DESCRIPTION
DI-TB-CONN-TTW	Single, or pack of 5 or 25	Screw down Terminal Connector used for making connections to Tape Light.



BLAZE™ BASICS 100/200/300 LED Tape Light

ADDITIONAL INFORMATION

- LOW VOLTAGE LED TAPE LIGHT Installation Guide

SAFETY / WARNINGS / DISCLOSURES

1. Install in accordance with national and local electrical code regulations.
2. This product is intended to be installed and serviced by a qualified, licensed electrician.
3. Only install with a Class 2 DC Constant Voltage LED driver.
4. Only use copper wiring. Use wires rated for at least 176°F (80°C) and certified for use with external connection of electrical equipment.
5. Each maximum run requires a dedicated power feed from the driver. Do not extend beyond the recommended maximum run length.
6. Tape light, attached wire leads, and additional extension cables, connectors, etc., are not rated for in-wall installation unless otherwise noted. Tape light and attached wire leads are field-cuttable.
7. Ensure applicable wire is installed between driver, fixture, and any controls in-between. When choosing wire, factor in voltage drop, amperage rating, and type (in-wall rated, wet location rated, etc.). Inadequate wire installation could overheat wires, and cause fire.
8. All plastics are affected by the elements and may shift in color and other properties after product installation, particularly with direct exposure to sun, chlorinated water, and other chemicals.
9. Do not install in environment where excessive heat may exist (ex. close proximity to fireplace, etc.) See Ambient Temperature ratings
10. Do not install indoor LED tape light products in outdoor / wet location environments. Only wet location tape light models are rated for outdoor / wet locations.
11. Do not modify product beyond instructions or warranty will be void.
12. Tape light must be handled with care. Excessive handling, bending, and pressure may damage the product, voiding the warranty.
13. Actual color may vary from what is pictured on this sheet and other print materials due to the limitations of photographic processes.
14. We reserve the right to modify and improve the design of our fixtures without prior notice. We cannot guarantee to match existing installed fixtures for subsequent orders or replacements in regards to product appearance, CCT, or lumen output.

WARRANTY

Limited Warranty

This product has a seven (7) year limited warranty from the date of shipment. This warranty does not include the additional accessories referenced in this specification sheet. Complete warranty details for fixtures and additional accessories are available at www.diodeled.com/limited-warranty/ within the Policies section. For warranty related questions please contact product support.

Consumer's Acknowledgment

Elemental LED, Inc. stands behind its products when they are used properly and according to our specifications. By purchasing our products, the purchaser agrees and acknowledges that lighting design, configuration and installation is a complex process, wherein seemingly minor factors or changes in layout and in-field adjustments can have a significant impact on an entire system. Choosing the correct components is essential. Elemental LED is able to work with the original purchaser to make an appropriate product selection to the extent of the limited information that the customer can provide, but it is virtually impossible for Elemental LED to design a system that foresees every unknown factor. For this reason, this Warranty does not cover problems caused by improper design, configuration or installation issues. Any statement from a Elemental LED employee or agent regarding a customer's bill of goods and/or purchase order is NOT an acknowledgment that the products purchased are designed and configured correctly. The purchase agrees and acknowledges that it is the customer's responsibility to adhere strictly to all information contained in the Product Specification Sheets.

There is often more than one way to design, configure and layout an LED lighting application properly to achieve the same lighting effect. Elemental LED strongly recommends that licensed professionals be used in the design and installation of lighting systems that include Elemental LED products. The specifications include important information that a designer and installer should carefully review and strictly follow. Qualified designers and certified and/or licensed installers, with access to the final installation environment, customer goals, and Elemental LED product specifications can make the requisite decisions appropriate for a successful finished lighting application.

SPECIFICATION SHEET



© 2020 Elemental LED, Inc. All rights reserved.
Specifications are subject to change without notice.

Toll Free: 877.817.6028 | Fax: 415.592.1596 | www.DiodeLED.com | info@DiodeLED.com