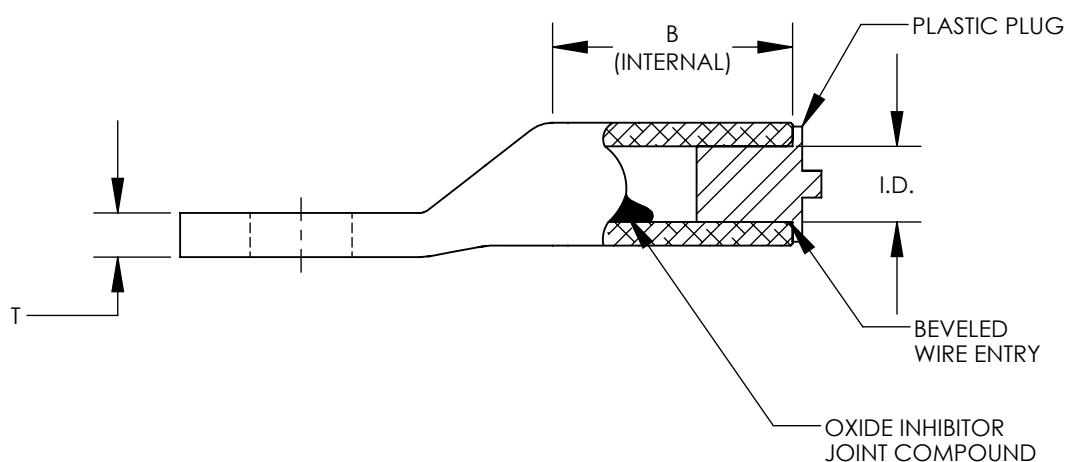
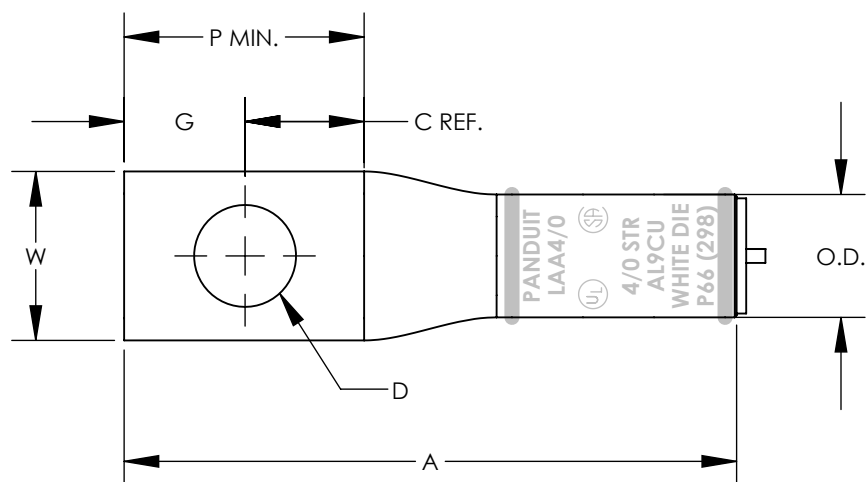


PANDUIT PART NUMBER	CONDUCTOR SIZE	STUD SIZE	OVERALL LENGTH "A" +/- .12	BARREL LENGTH "B" MIN	BARREL		TONGUE WIDTH "W" +/- .06	TONGUE THICKNESS "T" +/- .02	TONGUE LENGTH "P" MIN	HOLE OFFSET "G" +/- .03	STUD HOLE DIA "D" +/- .02	WRENCH CLEARANCE "C" REF	WIRE STRIP LENGTH	PANDUIT DIE COLOR CODE PANDUIT DIE INDEX NUMBER (BURNDY DIE INDEX NUMBER)
					I.D. +/- .01	O.D. +/- .01								
LAA2/0-38-5 LAA2/0-12-5	2/0 AWG	3/8" 1/2"	3.25	1.38	0.44	0.69	0.94	0.23	1.25	0.63	0.41 0.53	0.62	1-7/16"	OLIVE DIE P54 (297)
LAA3/0-38-5 LAA3/0-12-5	3/0 AWG	3/8" 1/2"	3.50	1.50	0.48	0.76	1.03	0.27	1.31	0.63	0.41 0.53	0.68	1-9/16"	RUBY DIE P60 (467)
LAA4/0-38-5 LAA4/0-12-5 LAA4/0-58-5	4/0 AWG	3/8" 1/2" 5/8"	3.56	1.50	0.55	0.88	1.19	0.31	1.31	0.63	0.41 0.53 0.66	0.68	1-9/16"	WHITE DIE P66 (298)
LAA250-38-5 LAA250-12-5	250 kcmil	3/8" 1/2"	3.67	1.63	0.59	0.91	1.25	0.31	1.31	0.63	0.41 0.53	0.68	1-3/4"	RED DIE P71 (324)

NOTES:

- MATERIAL: SEAMLESS ALUMINUM TUBING, TIN PLATED
- BARREL COLOR CODED WITH DIE SET INDEX NUMBER
- FOR STRANDED ALUMINUM AND COPPER WIRE
- UL LISTED & CSA CERTIFIED TEMPERATURE RATED 90° C (AL9CU)  
\* LAA4/0-58-5 cULus ONLY
- UL LISTED & CSA CERTIFIED VOLTAGE RATING 35 KV  
\* LAA4/0-58-5 cULus ONLY
- ALL DIMENSIONS IN INCHES



REV	DATE	BY	CHK	APR	DESCRIPTION	ECN
08	12/15	JHNU	JHNU	RGB	REVISED T DIMENSION FOR LAA250: 0.31 WAS 0.28	N41131BA-C41131
07	7/15	JHNU	JHNU	RGB	ADDED LAA4/0-58-5, ADDED D DIMENSION	N41131BA-C41131
06	3/15	JHNU	JHNU	RGB	REVISED DIMENSIONS REVISED NOTES ADDED BARREL MARKINGS ADDED COLOR CODE/DIE INDEX NUMBER	N41131BA-C41131
05	3/13	JHNU	JHNU	RGB	REVISED TITLE BLOCK CONVERTED TO SOLIDWORKS	N41131BA-C41131

TITLE LAA SERIES #2/0-250kcmil ALUMINUM LUGS CUSTOMER DRAWING	
ITEM REVISION NAME	N41131BA-C41131/08
DATASET FILE NAME	C41131/08.SLDDRW
UNLESS OTHERWISE SPECIFIED, DIMENSIONAL TOLERANCES ARE: IN [mm]	
.X ±	.XXX ±
.XX ±	ANGLES ±
THIRD ANGLE PROJECTION	
DRAWN BY	DATE
GRM	9/93
CHK	SCALE
	NONE
DRAWING NUMBER C41131	
SHEET 1 OF 1	
SIZE	B

