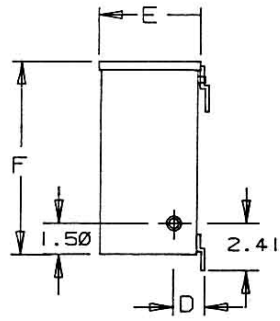
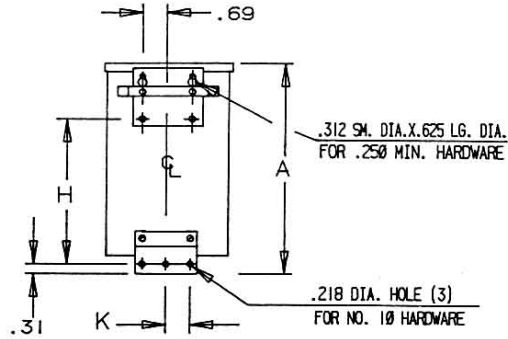


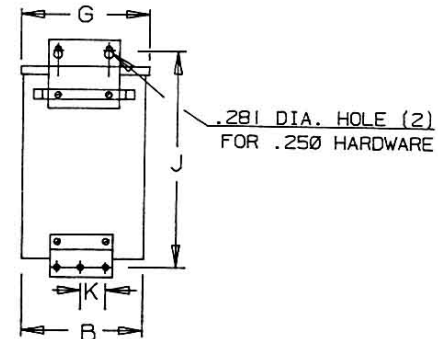
# Revisions



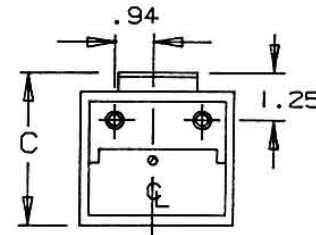
SIDE



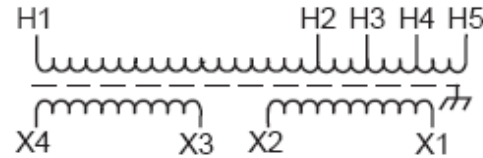
BACK (1)



BACK (2)



BOTTOM



Primary Volts	Connect Primary Lines To	Inter-Connect	Connect Secondary Lines To
277	H1, H5		
240	H1, H4		
208	H1, H3		
120	H1, H2		
<b>Secondary Volts</b>			
120		X1 to X3 X2 to X4	X1-X4
120/240		X2 to X3	X1-X2-X4
240		X2 to X3	X1-X4

KVA	CATALOG NUMBER	VOLTAGE		Enclosure Rating	WEIGHT	PHASE	FREQ.
		HIGH	LOW				
1.0	<b>T-2-79740-S</b>	120/208/240/277	120/240	NEMA 3R	23 Lbs	1φ	60 Hz

TYPICAL PERFORMANCE DATA

Winding Rise	115°C
Insulation	180°C
Sound Level	40 dB

Windings:	CU	Impedance:	
Encapsulated – Enclosed Design			

Typical Efficiency	
Full Load Losses	
No Load Losses	

A	B	C	D	E	F	G	H	J	K
10.02	5.40	5.13	1.67	4.92	9.18	5.50	6.53	10.50	1.50



Type No.

A

PRINTS TO

CONTROL  
7