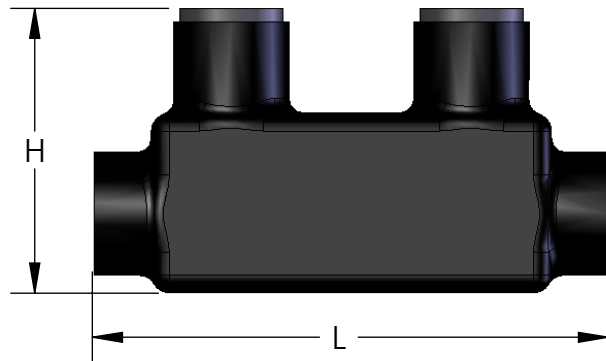


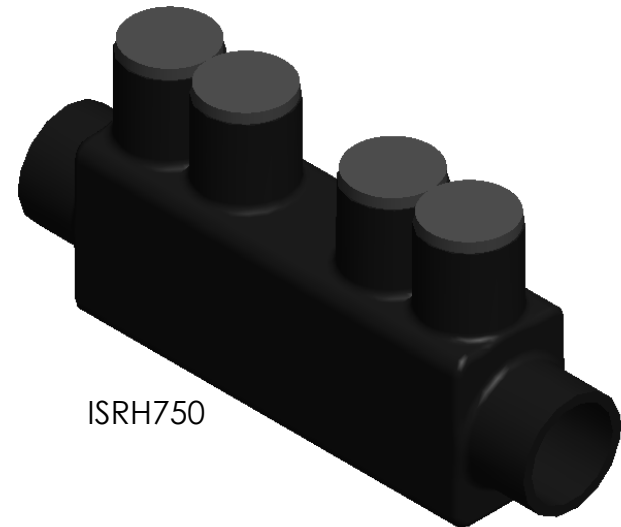
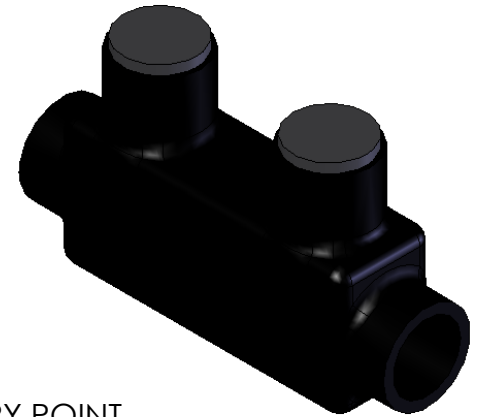


REMOVABLE CAP
TO TIGHTEN SCREW
(REPLACE WHEN COMPLETE)

5/16" INTERNAL HEX
PRESSURE SCREW



WIRE ENTRY POINT
WIRE RANGE: 350 KCMIL - #6 AWG
PRE-FILLED W/ OXIDE INHIBITOR



ISRH750

PART #	WIRE RANGE	HEX SIZE	L	H	W
ISR1/0	1/0-14	3/16	3.25	1.48	.90
ISR250	250-6	5/16	4.00	1.90	1.19
ISR350	350-6	5/16	4.47	2.20	1.32
ISR500	500-4	5/16	4.62	3.00	1.62
ISR600†	600-6	5/16	5.83	3.05	1.57
ISRH750	750-250	5/16	7.25	3.25	1.75

† 600 SERIES ARE AL7CU AND 75 °C

NOTES:

- CONNECTOR MANUFACTURED FROM 6061-T6 ALUMINUM ALLOY.
- UL LISTED PER UL486A/B SPECIFICATIONS FOR 600V.
- DUAL RATED FOR 90 °C COPPER AND/OR ALUMINUM CONDUCTOR.
- COLD TEMPERATURE RATED TO -45 °C.
- HIGH DIELECTRIC STRENGTH INSULATION IS ABRASION, CHEMICAL AND UV RESISTANT.

CONTACT NSi FOR SALES @ 800.321.5847

		POLARIS SALES . CO . INC	
<small>PROPRIETARY AND CONFIDENTIAL</small>		<small>11625 PROSPEROUS DRIVE ODESSA, FL 33556</small>	
<small>THE INFORMATION CONTAINED IN THIS DRAWING IS THE SOLE PROPERTY OF POLARIS SALES CO. INC. ANY REPRODUCTION IN PART OR AS A WHOLE WITHOUT THE WRITTEN PERMISSION OF POLARIS SALES CO. INC. IS PROHIBITED.</small>		TITLE: INSULATED SPLICE CONNECTOR SERIES	
<small>NAME</small> L. HILL		<small>DATE</small> 10-21-10	
<small>DWG. NO.</small> ISR SERIES		<small>MATERIAL:</small> N/A	
<small>SCALE:</small> N/A		<small>SHEET:</small> 1 OF 1	