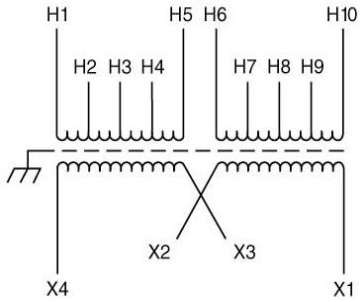
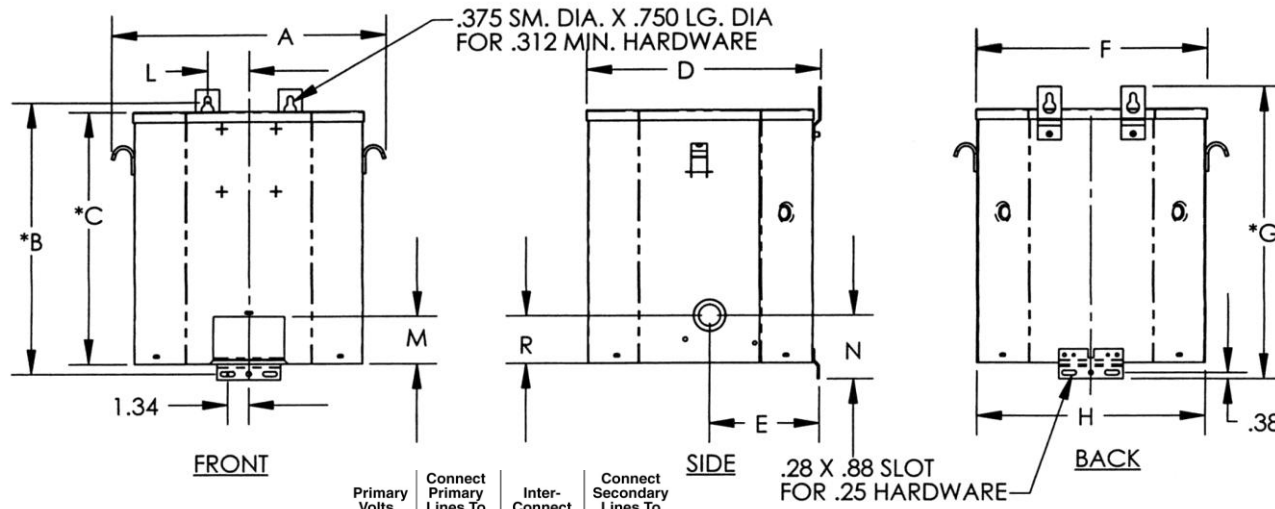
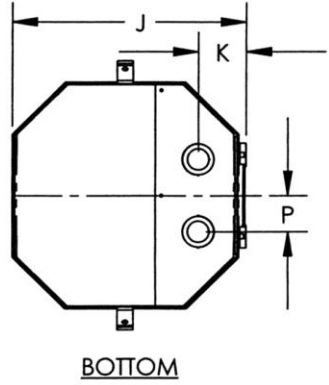


Revisions



Primary Volts	Connect Primary Lines To	Inter-Connect	Connect Secondary Lines To
216	H1-H10	H1 to H9 H10 to H2	
228	H1-H10	H1 to H8 H10 to H3	
240	H1-H10	H1 to H7 H10 to H4	
252	H1-H10	H1 to H6 H10 to H5	
432	H1-H10	H2 to H9	
444	H1-H10	H3 to H9	
456	H1-H10	H3 to H8	
468	H1-H10	H4 to H8	
480	H1-H10	H4 to H7	
492	H1-H10	H5 to H7	
504	H1-H10	H5 to H6	
Secondary Volts			
240		X2 to X3	X1-X4
120/240		X2 to X3	X1-X3-X4
120		X1 to X3 X2 to X4	X1-X4



Type No.

KVA	CATALOG NUMBER	VOLTAGE		Enclosure	WEIGHT	PHASE	FREQ.
		HIGH	LOW				
7.5	T-2-53515-3S	240 x 480	120/240	NEMA-3R	115 Lbs	1φ	60 Hz

TYPICAL PERFORMANCE DATA

Winding Rise	115°C
Insulation	180°C
Sound Level	40 dB

Regulation @ 100% PF	2.3%
----------------------	------

IMPEDANCE	3.89%
-----------	-------

Typical Efficiency	97.5%
No Load Losses	55W
Full Load Losses	277W

A	B	C	D	E	F	G	H	J	K	L	M	N	P	R
13.50	14.18	12.81	10.84	4.85	11.12	15.19	11.00	10.63	2.18	1.75	2.25	3.13	1.88	2.25

Drawn: ADR

DATE: Nov 3, 2009

				A	PRINTS TO	CONTROL 7	T-2-53515-3S
--	--	--	--	----------	-----------	------------------	---------------------