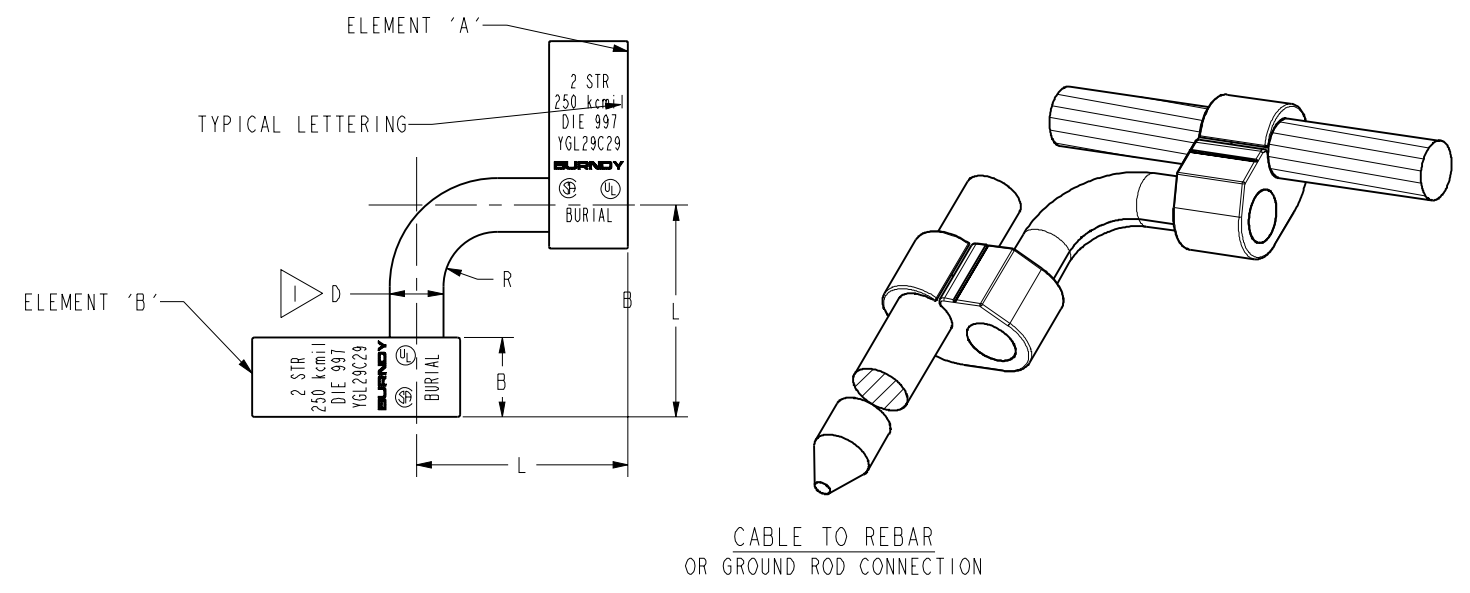
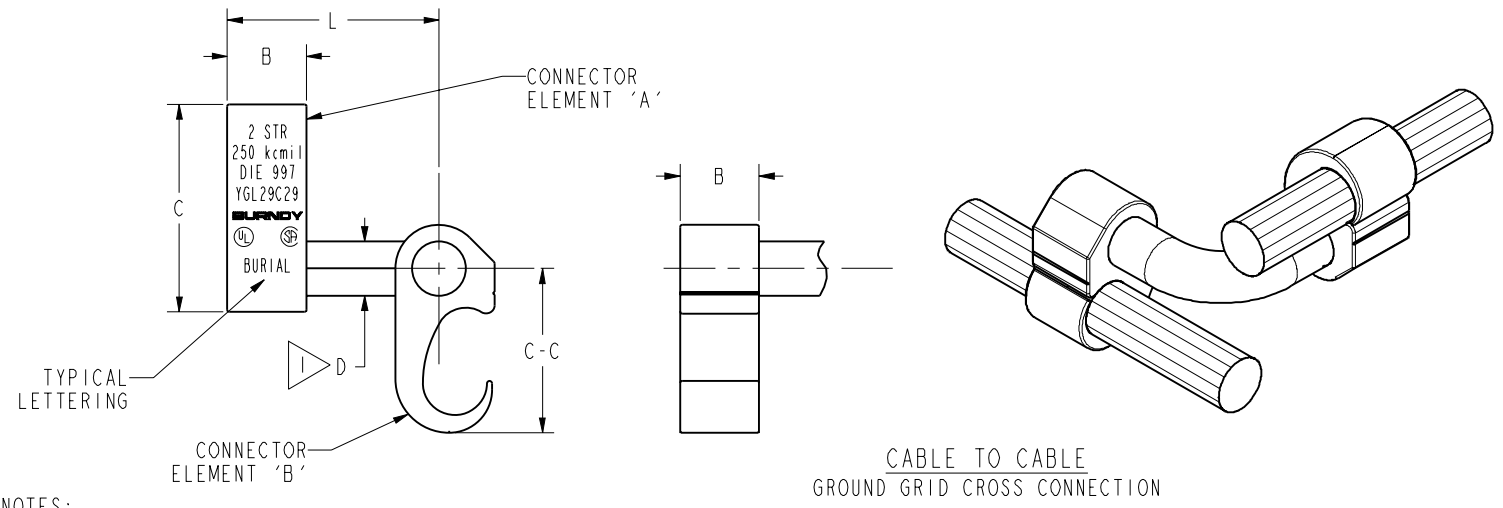


REV	DATE	DESCRIPTION	ECO	BY	C'H'K.
B	06/26/2014 00:00:00 AM	ADDER TOOLING DETAILS	36691	SAV	MB

CATALOG NUMBER	CABLE TO CABLE COMMERCIAL COPPER CONDUCTOR RANGE			CABLE TO GROUND ROD COMMERCIAL COPPER CONDUCTOR RANGE		B	C	C-C	D $\triangleleft$	L	R
	GROOVE 'A' (ELEMENT 'A')	GROOVE 'B' (ELEMENT 'B')	GROOVE 'A' (ELEMENT 'A')	GROOVE 'B' (ELEMENT 'B')							
YGL2C2	#6 SOL (.162 DIA.) - #2 STR (.292 DIA.) [10mm <sup>2</sup> ( $\phi$ 4.1mm) - 35mm <sup>2</sup> ( $\phi$ 7.6mm)]	#6 SOL (.162 DIA.) - #2 STR (.292 DIA.) [10mm <sup>2</sup> ( $\phi$ 4.1mm) - 35mm <sup>2</sup> ( $\phi$ 7.6mm)]	-----	#6 SOL (.162 DIA.) - #2 STR (.292 DIA.) [10mm <sup>2</sup> ( $\phi$ 4.1mm) - 35mm <sup>2</sup> ( $\phi$ 7.6mm)]	.75 [19.1]	1.09 [27.7]	1.09 [27.7]	.31 [8.0]			.31 [8.0]
YGL29C2	#1 STR (.332 DIA.) - 250 kcmil (.575 DIA.) [40mm <sup>2</sup> ( $\phi$ 8.4mm) - 120mm <sup>2</sup> ( $\phi$ 14.4mm)]	#6 SOL (.162 DIA.) - #2 STR (.292 DIA.) [10mm <sup>2</sup> ( $\phi$ 4.1mm) - 35mm <sup>2</sup> ( $\phi$ 7.6mm)]	ROD 1/2" - 5/8" [12.7 - 15.9]	#2 STR (.292 DIA.) - 250 kcmil (.575 DIA.) [35mm <sup>2</sup> ( $\phi$ 7.6mm) - 120mm <sup>2</sup> ( $\phi$ 14.4mm)]		1.66 [42.2]	1.66 [42.2]	.50 [12.7]		2.50 [63.5]	.50 [12.7]
YGL29C29	#2 STR (.292 DIA.) - 250 kcmil (.575 DIA.) [35mm <sup>2</sup> ( $\phi$ 7.6mm) - 120mm <sup>2</sup> ( $\phi$ 14.4mm)]	#2 STR (.292 DIA.) - 250 kcmil (.575 DIA.) [35mm <sup>2</sup> ( $\phi$ 7.6mm) - 120mm <sup>2</sup> ( $\phi$ 14.4mm)]		#2 STR (.292 DIA.) - 250 kcmil (.575 DIA.) [35mm <sup>2</sup> ( $\phi$ 7.6mm) - 120mm <sup>2</sup> ( $\phi$ 14.4mm)]		2.09 [53.1]	1.09 [27.7]	.31 [8.0]			.31 [8.0]
YGL34C2	250 kcmil (.575 DIA.) - 500 kcmil (.813 DIA.) [120mm <sup>2</sup> ( $\phi$ 14.4mm) - 240mm <sup>2</sup> ( $\phi$ 20.4mm)]	#6 SOL (.162 DIA.) - #2 STR (.292 DIA.) [10mm <sup>2</sup> ( $\phi$ 4.1mm) - 35mm <sup>2</sup> ( $\phi$ 7.6mm)]	ROD 5/8" - 3/4" [15.9 - 19.1]	#2 STR (.292 DIA.) - 250 kcmil (.575 DIA.) [35mm <sup>2</sup> ( $\phi$ 7.6mm) - 120mm <sup>2</sup> ( $\phi$ 14.4mm)]		1.09 [27.7]	1.09 [27.7]	.31 [8.0]			.31 [8.0]
YGL34C29		#2 STR (.292 DIA.) - 250 kcmil (.575 DIA.) [35mm <sup>2</sup> ( $\phi$ 7.6mm) - 120mm <sup>2</sup> ( $\phi$ 14.4mm)]		#2 STR (.292 DIA.) - 250 kcmil (.575 DIA.) [35mm <sup>2</sup> ( $\phi$ 7.6mm) - 120mm <sup>2</sup> ( $\phi$ 14.4mm)]		1.66 [42.2]	1.66 [42.2]	.50 [12.7]			.50 [12.7]
YGL34C34		250 kcmil (.575 DIA.) - 500 kcmil (.813 DIA.) [120mm <sup>2</sup> ( $\phi$ 14.4mm) - 240mm <sup>2</sup> ( $\phi$ 20.4mm)]		250 kcmil (.575 DIA.) - 500 kcmil (.813 DIA.) [120mm <sup>2</sup> ( $\phi$ 14.4mm) - 240mm <sup>2</sup> ( $\phi$ 20.4mm)]		1.10 [27.9]	2.28 [57.9]	2.28 [57.9]	.75 [19.1]		2.94 [74.7]

CATALOG NO.	INSTALLATION TOOLS, DIE SET CAT. NO. (NUMBER OF CRIMPS)							
	Y750/Y35/Y39 HYPRESS™		PAT750-18V		Y45 HYPRESS™ $\triangleleft 5$		Y46 HYPRESS™ $\triangleleft 6$	
	ELEMENT "A"	ELEMENT "B"	ELEMENT "A"	ELEMENT "B"	ELEMENT "A"	ELEMENT "B"	ELEMENT "A"	ELEMENT "B"
YGL2C2	U-0 (1)	U-0 (1)	U-0 (1)	U-0 (1)	U-0 (1)	U-0 (1)	U-0 (1)	U-0 (1)
YGL29C2	U997 (1)	U-0 (1)	U997P (1)	U-0 (1)	U997 (1)	U-0 (1)	U997 (1)	U-0 (1)
YGL29C29	U997 (1)	U997 (1)	U997P (1)	U997P (1)	U997 (1)	U997 (1)	U997 (1)	U997 (1)
YGL34C2	----	----	PU998 (1)	U-0 (1)	S998 OR PU998 (1)	U-0 (1)	P998 OR PU998 (1)	U-0 (1)
YGL34C29	----	----	PU998 (1)	U997P (1)	S998 OR PU998 (1)	U997 (1)	P998 OR PU998 (1)	U997 (1)
YGL34C34	----	----	U1011 (3)	U1011 (3)	S1011 (2)	S1011 (3)	P1011 (3)	P1011 (3)

CATALOG NO.	CABLE TO REBAR $\triangleleft 7$	
	ELEMENT "A"	ELEMENT "B"
YGL2C2	-----	-----
YGL29C2	ROD 3/8" - 1/2" [9.5 - 12.7]	#6 SOL (.162 DIA.) - #2 STR (.292 DIA.) [10mm <sup>2</sup> ( $\phi$ 4.1mm) - 35mm <sup>2</sup> ( $\phi$ 7.6mm)]
YGL29C29	#3 - #4 REBAR	#2 STR (.292 DIA.) - 250 kcmil (.575 DIA.) [35mm <sup>2</sup> ( $\phi$ 7.6mm) - 120mm <sup>2</sup> ( $\phi$ 14.4mm)]
YGL34C2	ROD 5/8" - 3/4" [15.9 - 19.1]	#6 SOL (.162 DIA.) - #2 STR (.292 DIA.) [10mm <sup>2</sup> ( $\phi$ 4.1mm) - 35mm <sup>2</sup> ( $\phi$ 7.6mm)]
YGL34C29	#5 - #6 REBAR	#2 STR (.292 DIA.) - 250 kcmil (.575 DIA.) [35mm <sup>2</sup> ( $\phi$ 7.6mm) - 120mm <sup>2</sup> ( $\phi$ 14.4mm)]
YGL34C34		250 kcmil (.575 DIA.) - 500 kcmil (.813 DIA.) [120mm <sup>2</sup> ( $\phi$ 14.4mm) - 240mm <sup>2</sup> ( $\phi$ 20.4mm)]



- NOTES:
- BEFORE CRIMPING BOTH CONNECTOR ELEMENTS CAN BE TURNED ON ROD DIAMETERED "D" TO ANY DESIRED POSITION.
  - GROOVES ARE FILLED WITH PENETROX™ "E".
  - FOR BETTER TORQUE STRENGTH ON GROUND ROD, PER CRIMP CROUND ROD WITH U2CAB DIE (DIE INDEX 348).
  - SUITABLE FOR DIRECT BURIAL IN EARTH OR CONCRETE.
  - WHERE A "U" OR "PU" DIE IS RECOMMENDED WITH THE Y45 HYPRESS™, A PT6515 ADAPTER MUST BE USED.
  - WHERE A "U" OR "PU" DIE IS RECOMMENDED WITH THE Y46 HYPRESS™, A PUADP-1 ADAPTER MUST BE USED.
  - CLEAN RUST AND PROTECTIVE COATINGS FROM REBAR BEFORE CONNECTOR INSTALLATION TO PROVIDE A PROPER GROUND CONNECTION, PER-CRIMPING IS NOT REQUIRED.
  - DIMENSIONS IN [ ] BRACKETS ARE IN MILLIMETERS, ROUNDED OFF TO THE NEAREST MILLIMETER, UNLESS OTHERWISE NOTED. METRIC DIMENSIONS ARE FOR REFERENCE ONLY.
  - MATERIAL: HIGH CONDUCTIVITY WROUGHT COPPER.

TO ORDER BURNDY® PRODUCTS CALL		COMPRESSION GROUND CONNECTOR	
UNITED STATES		ITEM NO:	N/A
1-800-346-4175 (LONDONDERRY, NH)		CAT. NO:	YGL-C- (TABLE)
CANADA:		DRAWN BY:	C. RACANO 10/31/78
1-800-387-6487 (ALL OTHER PROVINCES)		CHECKER:	C. A. R. 10/31/78
FOR PRODUCT INFO: <a href="http://www.burndy.com">http://www.burndy.com</a>		DSN APPVL:	J. HUS 06/08/79
		MFG APPVL:	--
		QA APPVL:	--
		MKT APPVL:	--
		PROD FAM:	--
		PROJECT #:	--
		DOCUMENT TYPE:	Sales
		REL LEVEL:	Released
		SCALE:	NTS
		DRAWING NO:	SD082258-01
		REV:	B
		SHEET:	1 OF 1

REV: PE0200