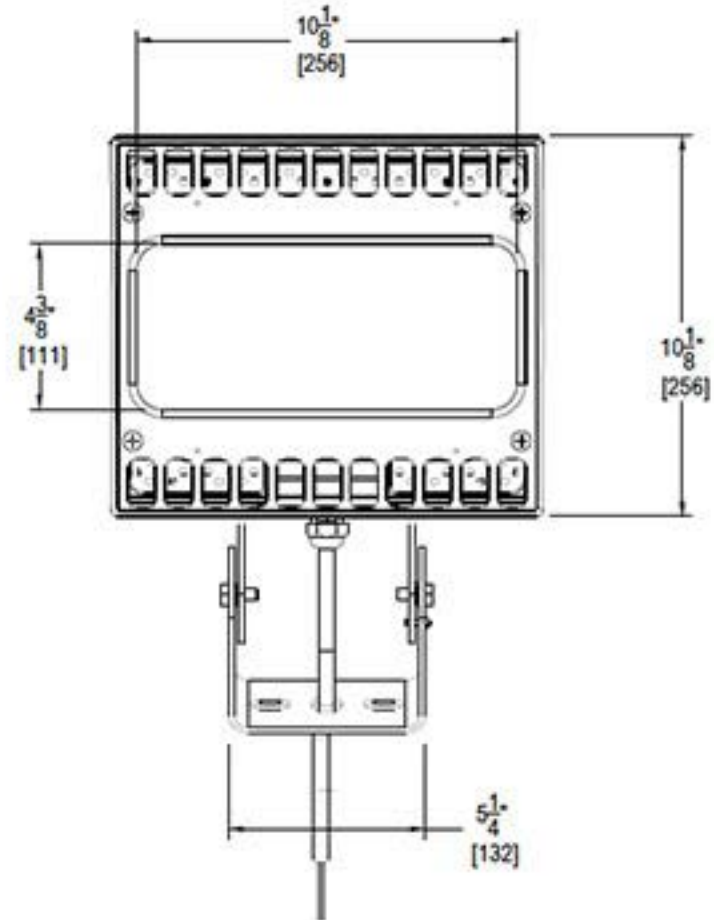
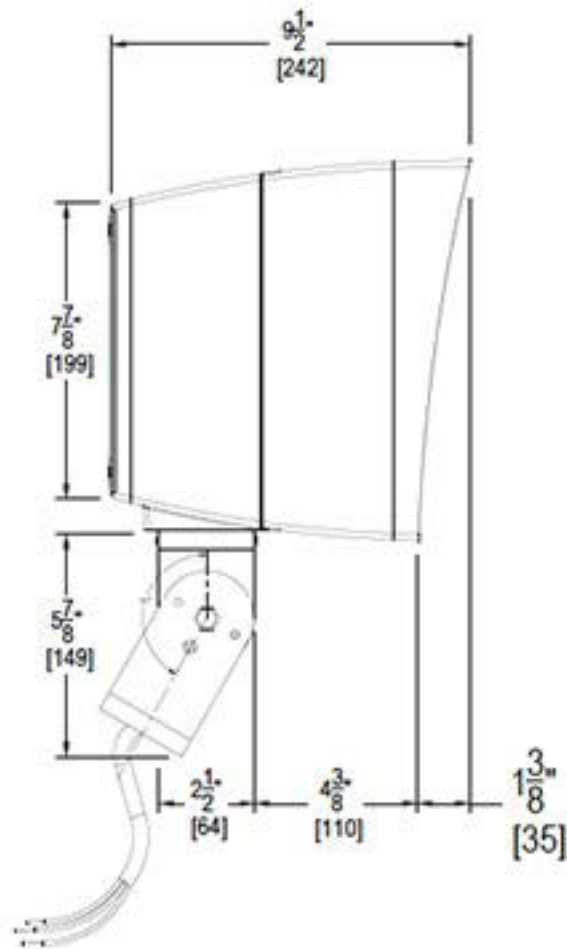


Detail

TRUNNION DETAIL

2

SCALE: 0'-3" = 1'-0"



Detail

FIXTURE SERIES

1

SCALE: 0'-3" = 1'-0"

