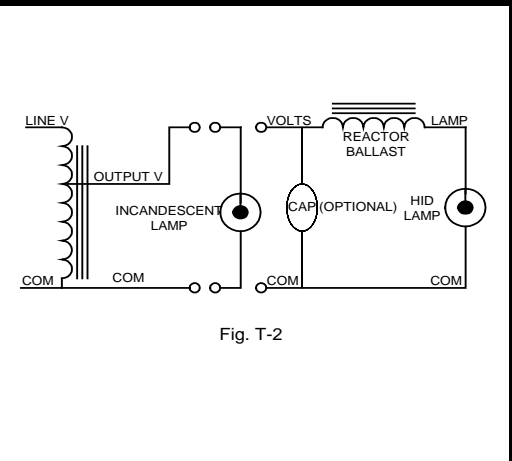
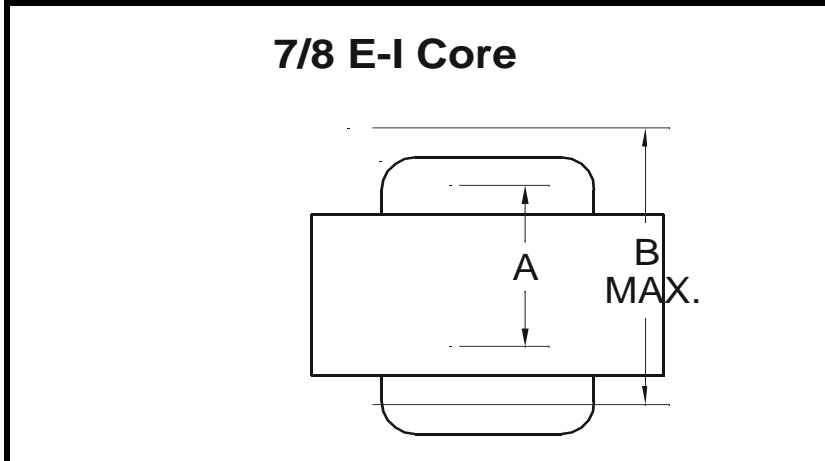


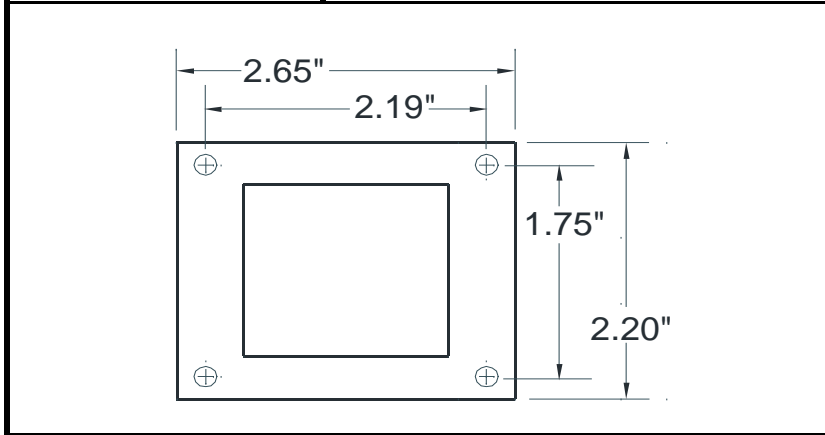
	<p><b>Step-down Transformer</b></p>	<p>Catalog Number: 71A9741-600                  Step-down Transformer                  277V:120V                  Max VA Load: 300                  Status: RELEASED</p>
---	-------------------------------------	--

**DIMENSIONS AND DATA**



A Dimension	B Dimension
2.0"	3.5"

Input	Output
277V	115V
1.1 A max. 300W	300 VA Load max. for 300W Incand.




E65627  
AD 180

Data is based on tests performed by Philips Advance in a controlled environment and is representative of relative performance. Actual performance can vary depending on operating conditions. Specifications are subject to change without notice. All specifications are nominal unless otherwise noted.

**Philips Lighting Electronics**

10275 West Higgins Road • Rosemont, IL 60018 • [www.philips.com/advance](http://www.philips.com/advance)  
 Tel: 800-322-2086 • Fax: 800-423-1882 • Customer Support: 800-372-3331 • OEM Support: 866-915-5886