

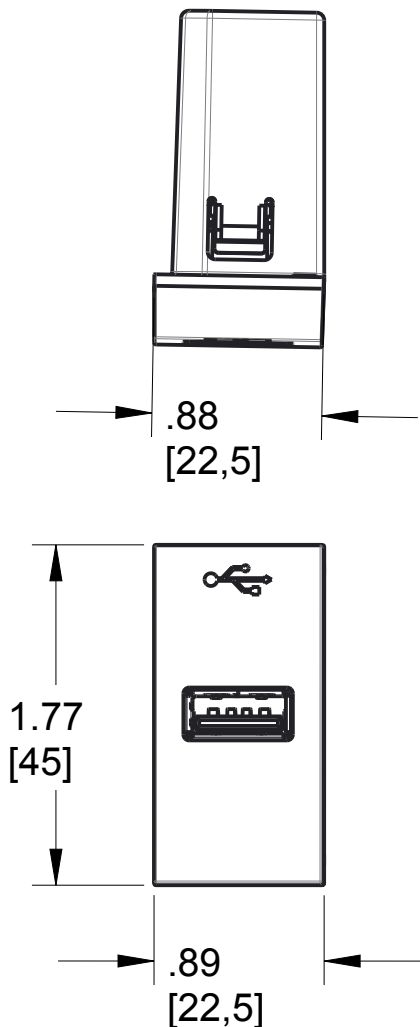
2

1

REV	EC.NO.	DATE	DESCRIPTION	DFTR	CK.
A			INITIAL RELEASE		

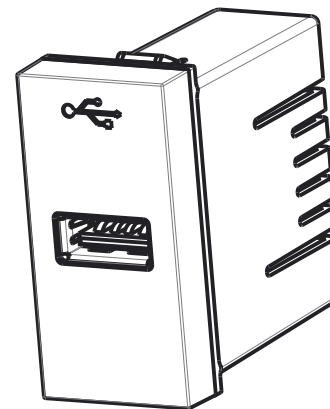
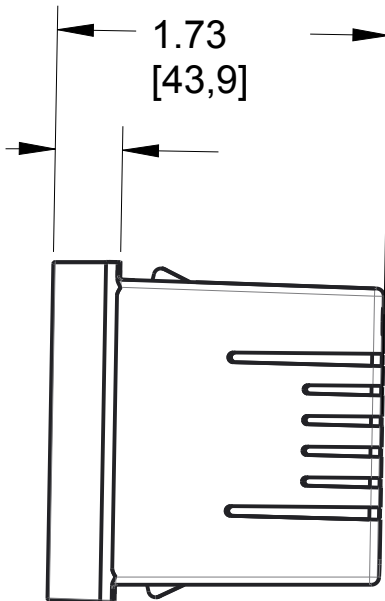
B

B



$.35$
[8,9]

1.73
[43,9]






A

A

Size Face: 2x1 Module
 Size Backbody: 2x1 Module
 3rd Party Listing: cETLus LISTED
 Rating; 2.1A, 5VDC, 11W
 Termination: Wire Leads
 USB Port Only
 For Use With adorne System Only

ARUSB, USB Receptacle 1-Module

MATERIAL	SEE NOTE	UNSPECIFIED TOL. FRAC. $\pm 1/64$ ANGLES ± 1.0 DEC. 0 ± 0.02 $.00 \pm 0.01$ $.000 \pm 0.001$	 		
FINISH	SEE NOTE				
DSGN.BY:	5/20/2015		MODEL NAME:	ARUSB	
DR.BY:		SHT 1of1	PROJ.	DWG.NO.:	REV.:
CK.BY:		SCALE: 1.000		CD1161	A

NOTICE: Proprietary and confidential information of Pass & Seymour/Legrand
 Reproduction or disclosure prohibited under penalty of law.

2

1