

| CAT. NO.       | SCREW          |
|----------------|----------------|
| USPA-350SS-DB  | E1411-5/16 HEX |
| USPA-350SS     | E1411-5/16 HEX |
| USPA-350SSDNMP | E1411-5/16 HEX |
| USPA-350DNMP   | E1411-5/16 HEX |
| USPA-350SSP    | E6096-5/16 HEX |
| USPA-350SSD    | E6096-5/16 HEX |
| USPA-350SDP    | E6096-5/16 HEX |

SCREW: SEE CHART  
 CAT. NO.: SEE CHART  
 INFORMATION SHEET: FORM 102

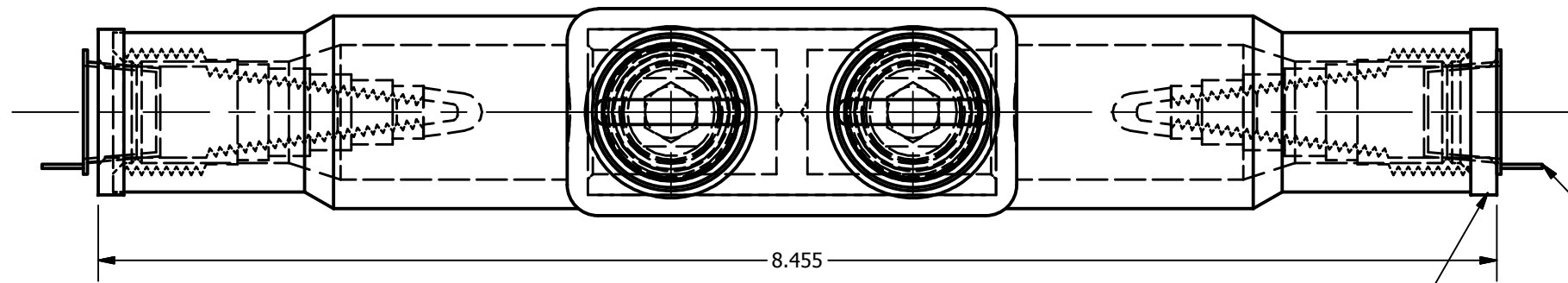
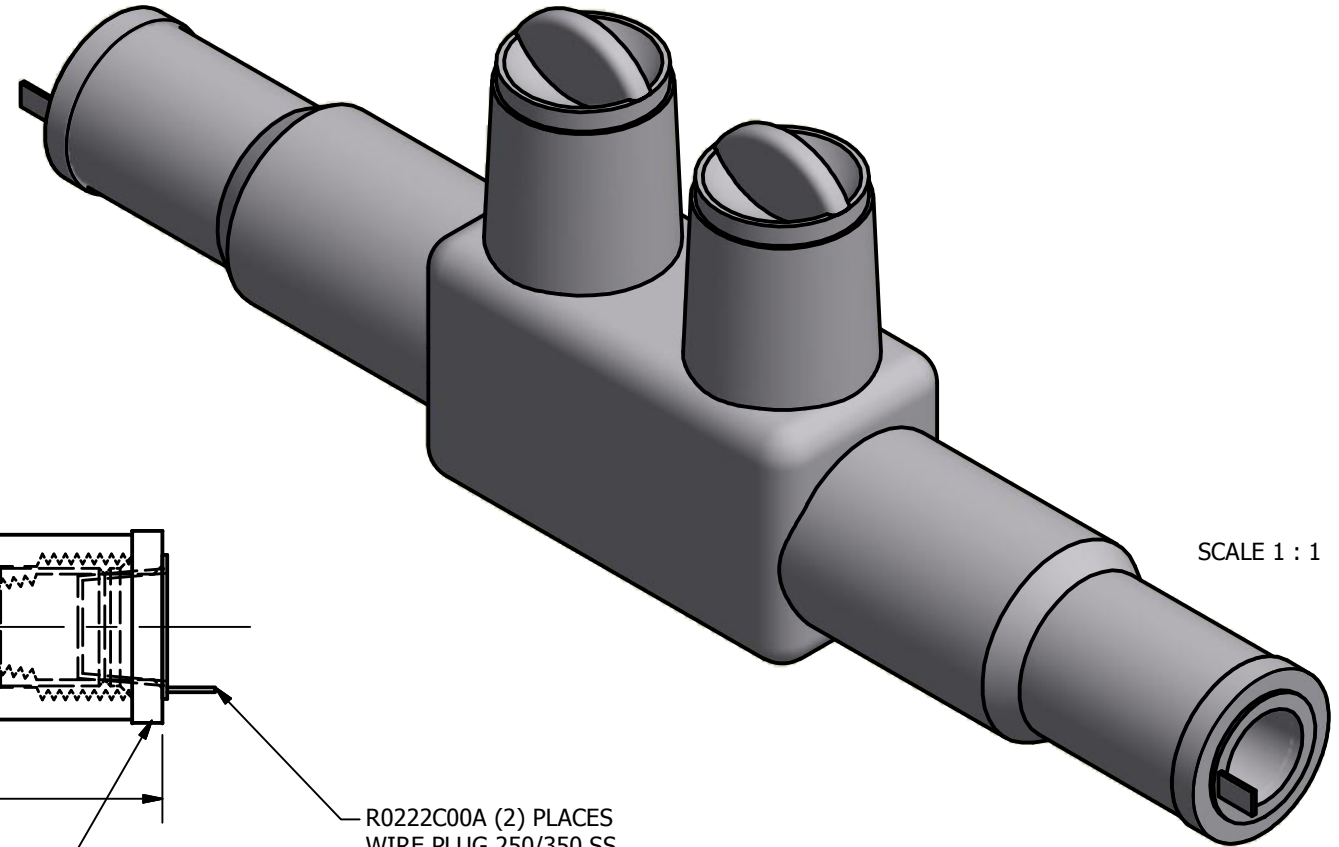
MATERIAL: SEE CHART  
 PLATING: SEE CHART  
 MARKING: NONE

REV: H  
 DRAWN BY: CLH  
 DATE: 7/21/2008  
 SCALE:  
 SIZE: B

**ILSCO**  
*connections*  
*matter*  
 800-776-9775 www.ilSCO.com

DWG NO: **M7946**  
 SHEET: 1 OF 1

INFORMATION SHEET FOR USPA-350SS-DB:  
 FORM 104



R0222C00A (2) PLACES  
 WIRE PLUG 250/350 SS

R7059C00A (2) PLACES  
 WIRE PLUG 250/350 SS

R7058C00A (2) PLACES  
 EPDM PLUG SCREW PORT

SEE CHART FOR SCREW  
 (2) PLACES

