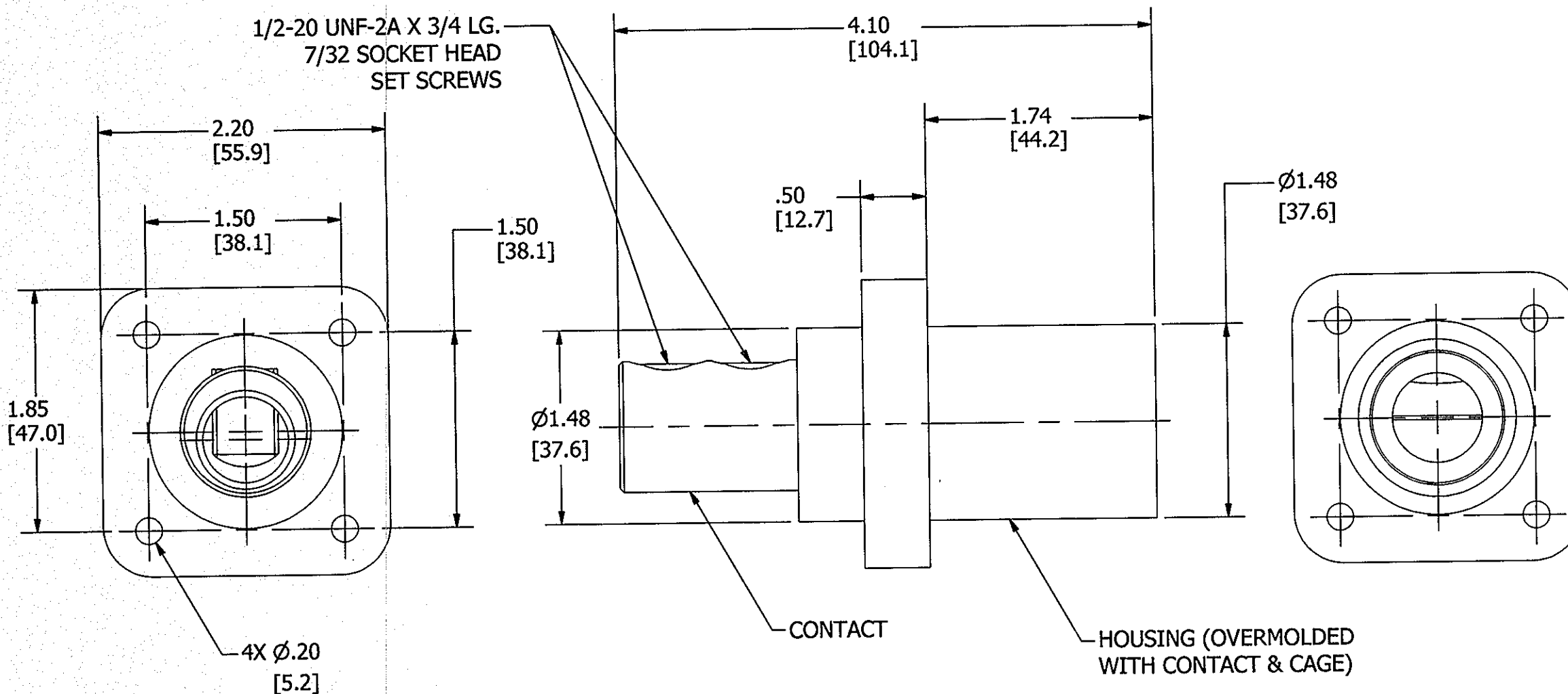


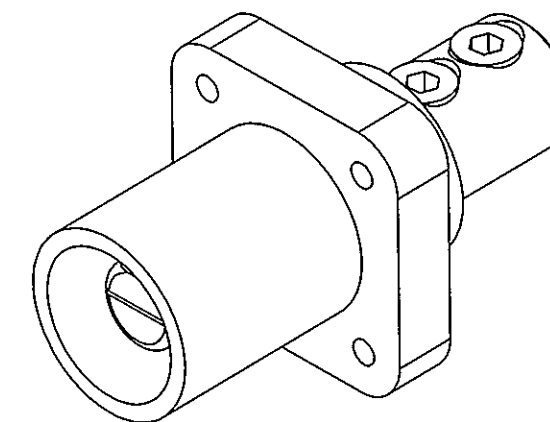
M-8923

4

1/2-20 UNF-2A X 3/4 LG.  
7/32 SOCKET HEAD  
SET SCREWS



LIST OF PARTS		
DESCRIPTION	MATERIAL	FINISH
HOUSING	TPE	SEE TABLE
CONTACT	BRASS	
CAGE	NYLON	BLACK
SET SCREW	STEEL	NICKEL
LEAD WIRE	COPPER	
COPPER SHEET	COPPER	



**CATALOG NO. HBLMRBK  
(NOT SHOWN TO SCALE)**

**NOTES:**

1. DIMENSIONS ARE IN INCHES ± .02  
[mm] ± .5
2. RATING : 600VAC/250VDC 400 AMP.
3. UL/c-UL ENCLOSURE TYPES 3R, 4X, 12,  
SEE INSTRUCTION SHEET.
4. CABLE SIZE #4 AWG - 4/0, COPPER ONLY.
5. LEAD WIRE & COPPER SHEET NOT SHOWN.

HUBBELL CAT. NO.	COLOR
HBLMRBK	BLACK
HBLMRW	WHITE
HBLMRGN	GREEN
HBLMRR	RED
HBLMRBL	BLUE
HBLMRO	ORANGE
HBLMRBN	BROWN
HBLMRY	YELLOW

4	REDRAWN WITH EMBEDDED CAD MODEL WITH NO CHANGES TO PART GEOMETRY. PER DCN 21895 SPN	DJP	2/5/16
REV	DESCRIPTION	APP	DATE

THE DESIGN AND DIMENSIONS OF THE PRODUCT SHOWN ON THIS DRAWING ARE SUBJECT TO CHANGE WITHOUT NOTICE

TITLE  
**SINGLE POLE MALE RECEPTACLE WITH DOUBLE SET SCREW**

TOLERANCES UNLESS OTHERWISE SPECIFIED	WIRING DEVICE-KELLEMS HUBBELL INCORPORATED SHELTON, CT			
.XX = ± .01	DR. BY	MJM	APP. BY	TWB
.XXX = ± .005	TR. BY		SCALE	1:1
ANGLES = ± 2'	CHK. BY	TWB	DATE	6/11/2003

DIMENSION SHEET FOR CAT. NO. SEE TABLE

REPAIRABLE

NON-REPAIRABLE

**B**

M-8923

4