
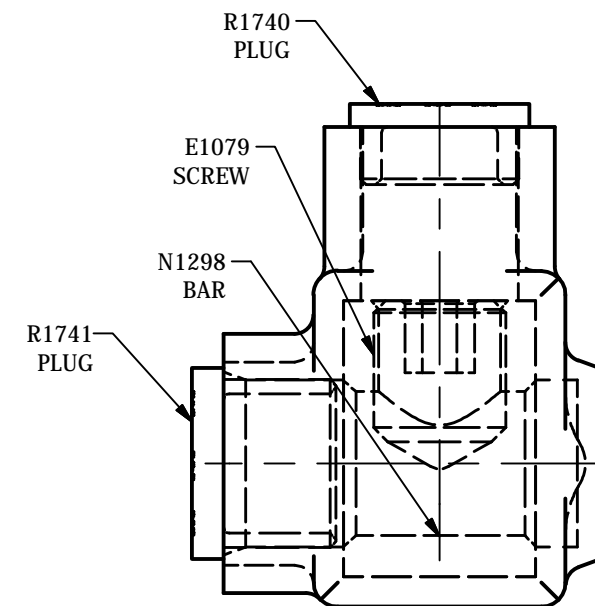
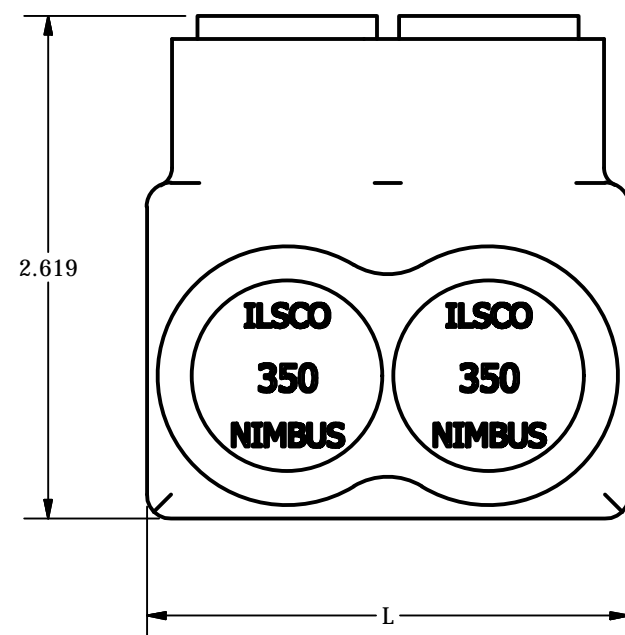
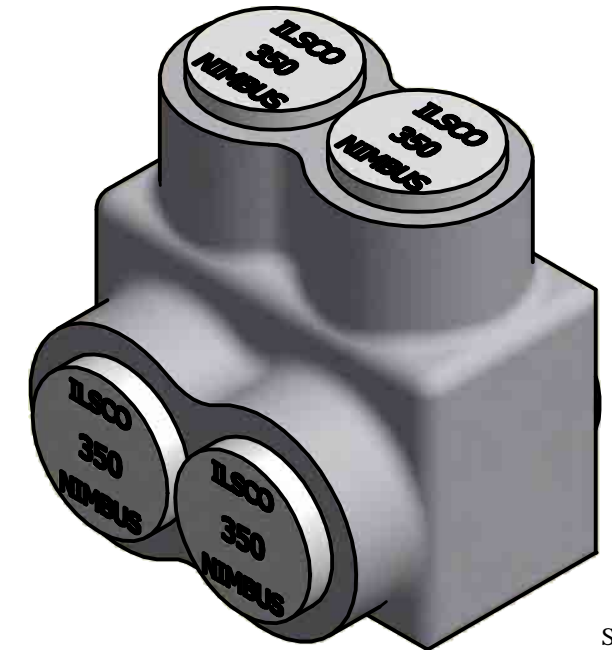
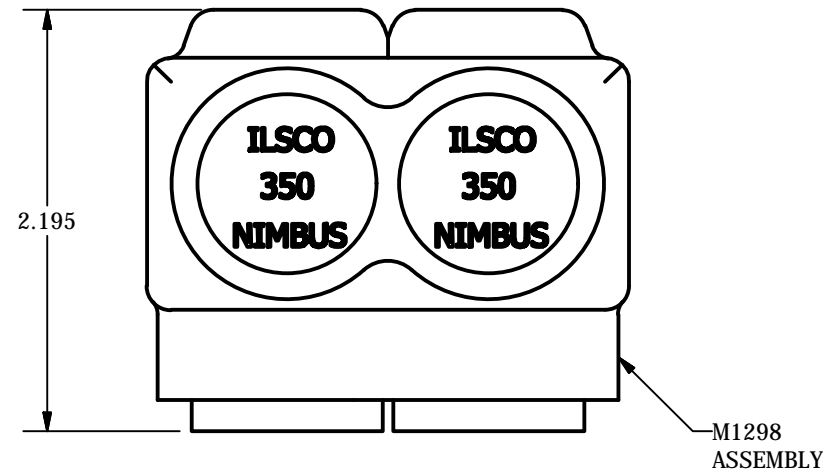


SCREW: E1079	MATERIAL: NONE	REV: L	 800-776-9775 www.ilSCO.com
CAT. NO.: SEE CHART	PLATING: NONE	DRAWN BY: CLH SCALE:	
INFORMATION SHEET: FORM 1	MARKING: NONE	DATE: 1/25/2008 SIZE: B	
			DWG NO: <b>M1298</b>
			SHEET: 1 OF 1



CATALOG #	"L"	# OF SCREW PORTS
PBTS-2-350	2.530	2
PBTS-3-350	3.686	3
PBTS-4-350	4.842	4
PBTS-5-350	5.998	5
PBTS-6-350	7.154	6
PBTS-7-350	8.310	7
PBTS-8-350	9.466	8
PBTS-9-350	10.622	9
PBTS-10-350	11.778	10
PBTS-11-350	12.934	11
PBTS-12-350	14.090	12
PBTS-13-350	15.246	13
PBTS-14-350	16.402	14