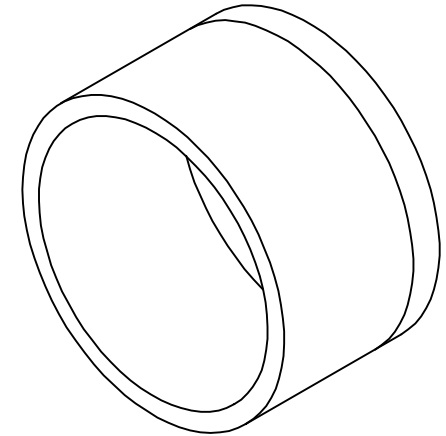
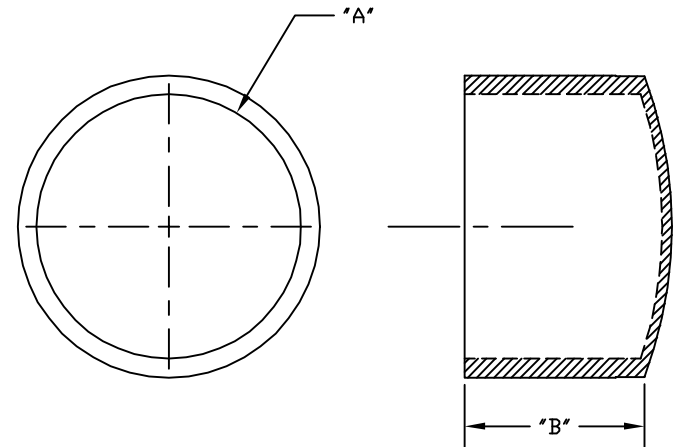


PART NUMBER	SIZE	"A"	"B"
5140031	1/2"	7/8"	7/8"
5140032	3/4"	1 1/16"	1 1/16"
5140033	1"	1 3/8"	1 1/4"
5140034	1 1/4"	1 11/16"	1 5/16"
5140035	1 1/2"	1 15/16"	1 9/16"
5140037	2"	2 3/8"	1 5/8"
5140038	2 1/2"	2 7/8"	2"
5140039	3"	3 9/16"	2 3/8"
5140036	3 1/2"	4"	2 5/16"
5140040	4"	4 1/2"	2 3/8"
5140041	5"	5 9/16"	2 1/2"
5140042	6"	-	-



1/2" through 1 1/2" have dome top
 2" through 6" have flat top
 UL Listed
 UL File # E81590
 UL Category Code DWTT
 UL Control Number 93G7
 Material is Rigid PVC
 Meets NEMA TC3 Requirements



CANTEX

INC.
Fort Worth, TEXAS

Caps
Schedule 40 & 80 Special Fittings

Drawn By: CD Branch

Date:09/25/07

Ref.