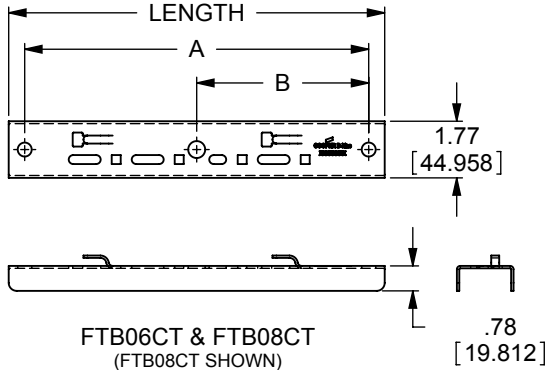
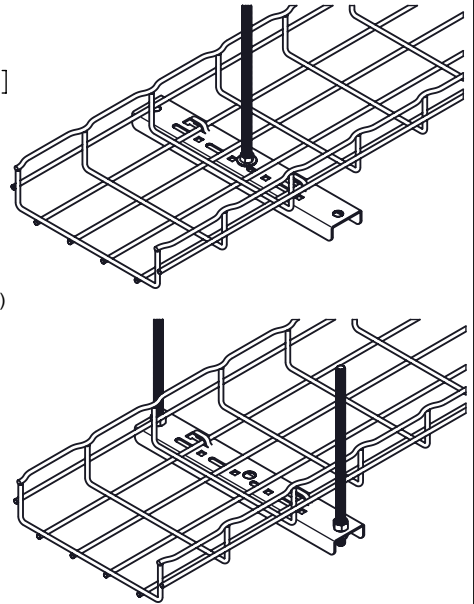
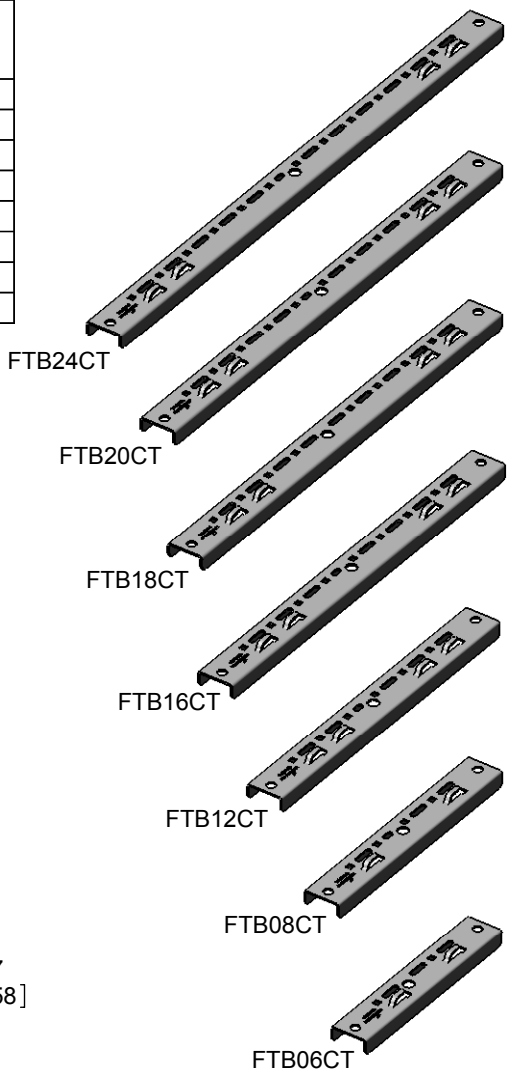
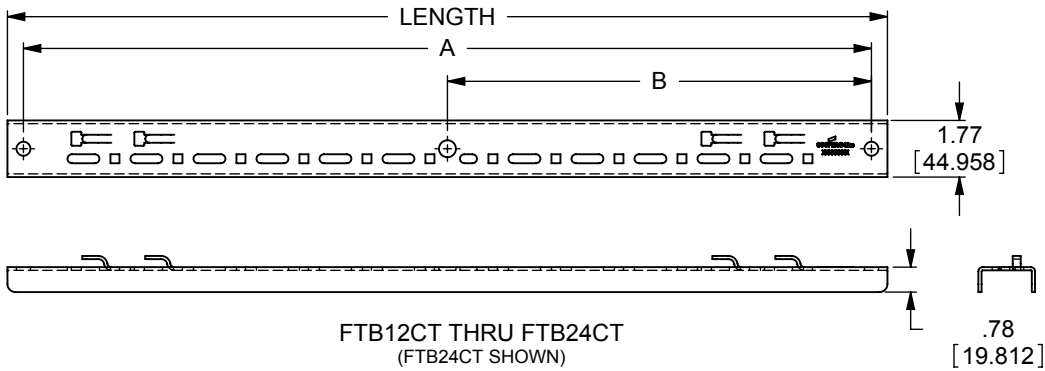


CATALOG NUMBER	FLEXTRAY WIDTH (MAX)	LENGTH		A		B		WT/PC	
		IN	MM	IN	MM	IN	MM	LBS	KG
FTB06CT	6"	9.78	248.4	8.78	223.0	3.84	97.6	0.61	0.3
FTB08CT	8"	11.75	298.5	10.75	273.1	5.38	136.5	0.74	0.3
FTB12CT	12"	15.69	398.5	14.69	373.1	7.34	186.5	0.98	0.4
FTB16CT	16"	19.63	498.5	18.63	473.1	9.31	236.5	1.61	0.7
FTB18CT	18"	21.59	548.5	20.59	523.1	9.75	247.7	1.77	0.8
FTB20CT	20"	23.56	598.5	22.56	573.1	11.28	286.5	1.93	0.9
FTB24CT	24"	27.50	698.5	26.50	673.1	13.25	336.6	2.25	1.0



DIMENSIONS IN BRACKETS [] ARE MILLIMETERS



- MATERIAL:
 FTB06CT THRU FTB12CT - 14GA GALVANIZED STEEL
 FTB16CT THRU FTB24CT - 12GA GALVANIZED STEEL
 (CONSULT CUSTOMER SERVICE FOR AVAILABILITY OF ALTERNATE MATERIALS & FINISHES)
- USED AS TRAPEZE SUPPORT:
 - ACCEPTS UP TO $\varnothing 3/8"$ THREADED ROD (ORDER THREADED ROD & HARDWARE SEPARATELY)
- USED AS CENTER HANGER:
 - ACCEPTS UP TO $\varnothing 1/2"$ THREADED ROD
 - FTB06CT (FOR 6" [150] WIDE TRAY) & FTB18CT (FOR 18" [450] WIDE TRAY) HAVE SLIGHTLY OFFSET CENTER HOLES TO ALLOW HANGER ROD TO FIT PROPERLY BETWEEN WIRE GRID
 - USE ROD PROTECTOR (CAT. NO SB301-1/2X8, ORDER SEPARATELY) TO PROTECT CABLES FROM THREADED ROD
- MULTIPLE METHODS AVAILABLE FOR SECURING FLEXTRAY TO BRACKET:
 - BUILT-IN BEND TABS
 - HOLD-DOWN CLAMP (ORDER SEPARATELY)
 - TOOLLESS CLIP (ORDER SEPARATELY)

THIS DRAWING AND/OR THE TECHNICAL INFORMATION CONTAINED HEREON IS THE PROPERTY OF COOPER B-LINE, INC. ("B-LINE"), AND IS ISSUED IN CONFIDENCE FOR B-LINE ENGINEERING PURPOSES ONLY AND MAY NOT BE REPRODUCED OR USED FOR ANY PURPOSE WHATSOEVER WITHOUT THE EXPRESS WRITTEN PERMISSION OF B-LINE TO THE USER. THIS DRAWING AND/OR TECHNICAL INFORMATION IS THE PROPERTY OF B-LINE AND IS LOANED FOR MUTUAL ASSISTANCE. TO BE RETURNED WHEN ITS INTENDED PURPOSE HAS BEEN SERVED.

<p>509 W. Monroe Street Highland, IL 62249 Phone (618) 654-2184 FAX (618) 654-5499 www.cooperbline.com</p>	SUBMITTAL DRAWING		REFERENCE DWG(S):	SUBMITTAL NO: S00015601	
	TITLE: FLEXTRAY TRAPEZE/CENTER HANGER FTB06CT THRU FTB24CT			DRAWN BY: MLW	REV. B
				DATE: 07/23/09	SHEET: 1 OF 1
	EQUIPMENT FURNISHED HAS BEEN FABRICATED IN ACCORDANCE WITH THIS DRAWING.			MODEL SOURCE FILE: 00015601	REV: 01