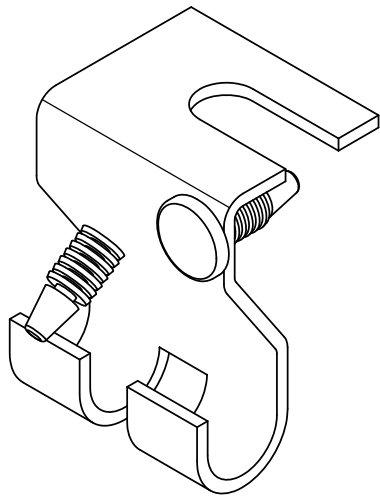
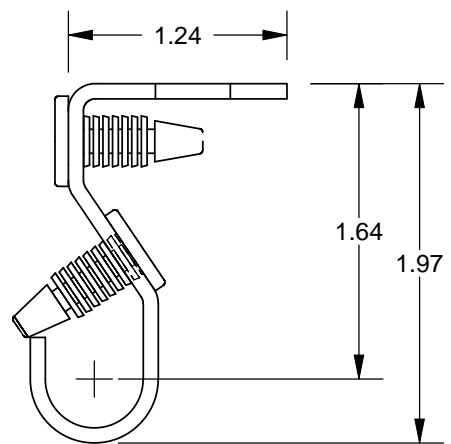
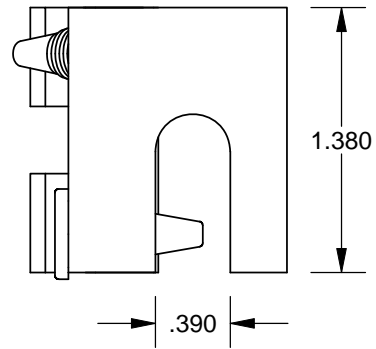


SNAP GROMMET
IN PLACE TO
RETAIN BASKET

SNAP GROMMET
IN PLACE TO RETAIN
THREADED ROD



TRAPEZE SUPT2



- PART NUMBER: TRAPEZE SUPT2
- TRAPEZE CLIP INSTALLS FAST
- TRAY CAN BE RELEASED FROM SUPPORT TO ALLOW SIDE CABLE LOADING
- ACCEPTS 1/4" AND 3/8" THREADED ROD SIZES
- MATERIAL FINISH:
PRE- GALVANIZED
BLACK POWDER COAT
CUSTOM POWDER COAT

THIS DRAWING AND/OR THE TECHNICAL INFORMATION CONTAINED HEREON IS THE PROPERTY OF COOPER B-LINE, INC. ("B-LINE"), AND IS ISSUED IN CONFIDENCE FOR B-LINE ENGINEERING PURPOSES ONLY AND MAY NOT BE REPRODUCED OR USED FOR ANY PURPOSE WHATSOEVER WITHOUT THE EXPRESS WRITTEN PERMISSION OF B-LINE TO THE USER. THIS DRAWING AND/OR TECHNICAL INFORMATION IS THE PROPERTY OF B-LINE AND IS LOANED FOR MUTUAL ASSISTANCE. TO BE RETURNED WHEN ITS INTENDED PURPOSE HAS BEEN SERVED.



509 W. Monroe Street
Highland, IL 62249
Phone (618) 654-2184
FAX (618) 654-5499

www.cooperbline.com

SUBMITTAL DRAWING

TITLE:

TRAPEZE SUPT2

FLEXYTRAY TRAPEZE SUPPORT

EQUIPMENT FURNISHED HAS BEEN FABRICATED IN ACCORDANCE WITH THIS DRAWING.

REFERENCE DWG(S):

SUBMITTAL NO:

S00015639

DRAWN BY: DF REV. A

DATE: 08/12/08

MODEL SOURCE FILE: 00015639 REV: 00

SHEET: 1 OF 1