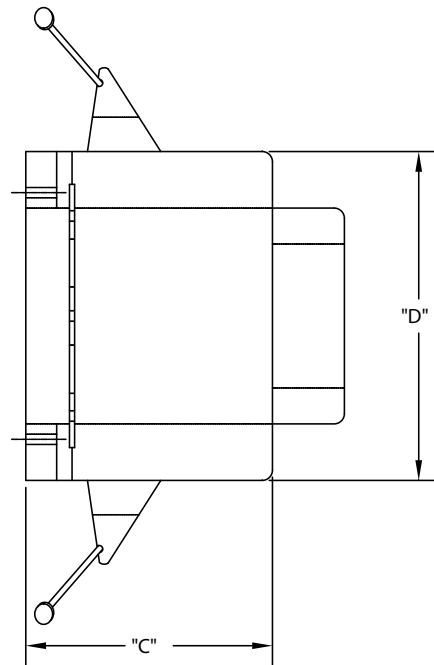
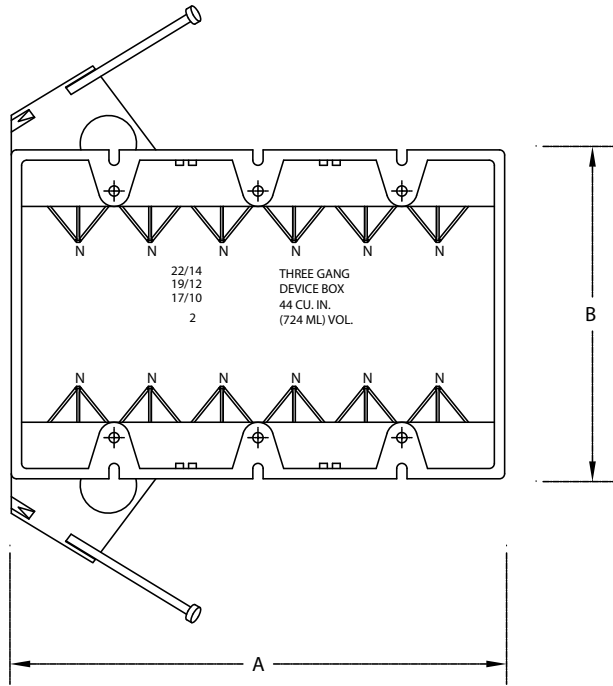
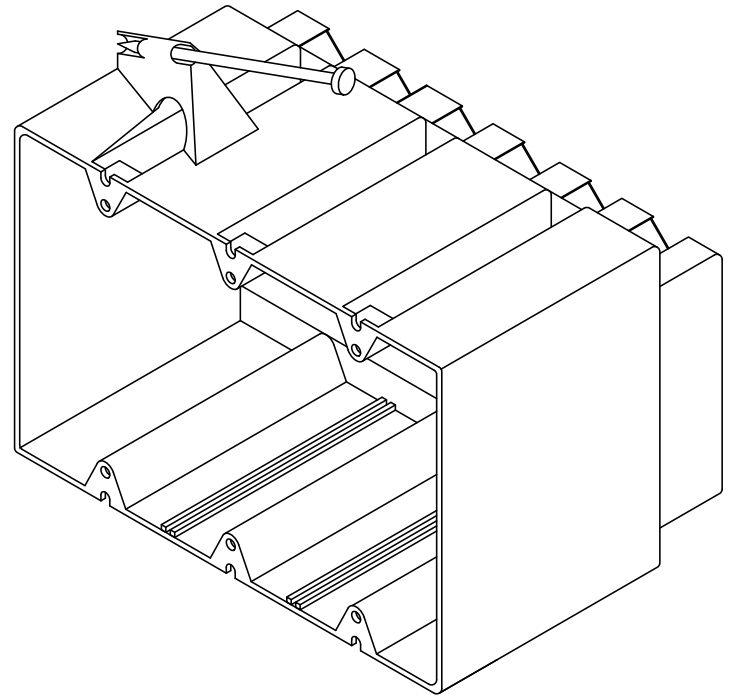


PART NUMBER	SIZE	"A"	"B"	"C"	"D"
EZ44TN	5 7/8" x 3 7/8" x 3 7/8" Enhanced angled nails for quick mounting between studs Twelve clamps	5.8"	3.7"	2.75"	3.7"



UL Listed
 UL File # R18795 & E98429
 UL Category Codes CEYY, QBWY & QCMZ
 UL Control Number 39N9
 UL 2 Hour Wall Fire Rated
 Suitable for masonry walls
 Material is Rigid PVC
 See NEC Article 314 for use

CANTEX INC. Fort Worth, TEXAS		
Three Gang EZ Box 44 Cubic Inch Nail On		
Drawn By: CD Branch	Date: 12/01/07	Ref.