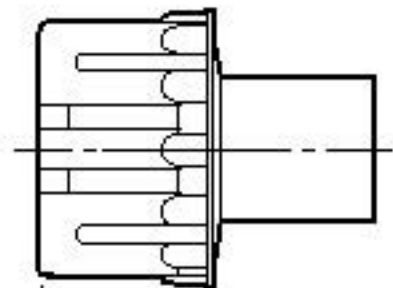
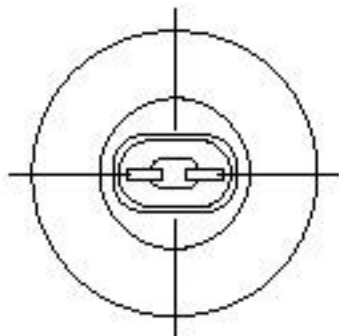


HIGH OUTPUT 800 MA & 1500 MA



0.94 (23.8)



94 $^{+3/32}_{-0}$ (2,387.6 $^{+2.4}_{-0}$)

FOR 96" LAMP

Cat. No. 523