
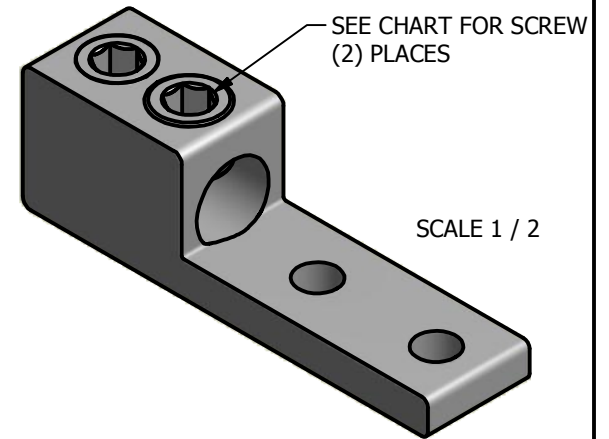
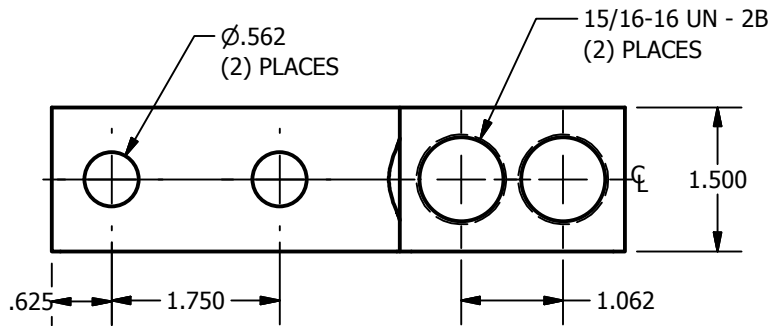



SCREW: SEE CHART	MATERIAL: ALUMINUM	REV: I		
CAT. NO.: SEE CHART	PLATING: SEE CHART	DRAWN BY: CLH	SCALE:	800-776-9775 www.ilsco.com
INFORMATION SHEET: SEE CHART	MARKING: SEE CHART	DATE: 5/11/2007	SIZE: A	DWG. NO. D3868
				SHEET: 1 OF 1



CATALOG NO.	FORM	MARKING	PLATING	SCREW
TA-800-2N	FORM 1	ILSCO, TA-800-2N, 800-300kcmil, AL9CU 	EL-TIN	E0945
USG2-750	FORM 18	UTILCO, USG2-750, 750kcmil-1/0, AL-CU	WAX	E6134
USG2-750T	FORM 18	UTILCO, USG2-750, 750kcmil-1/0, AL-CU	EL-TIN	E6134

