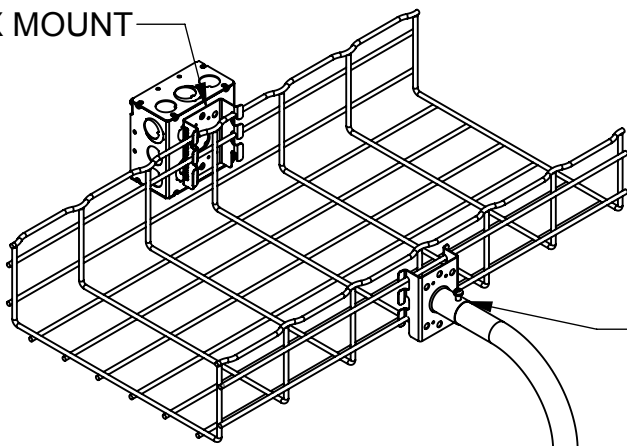
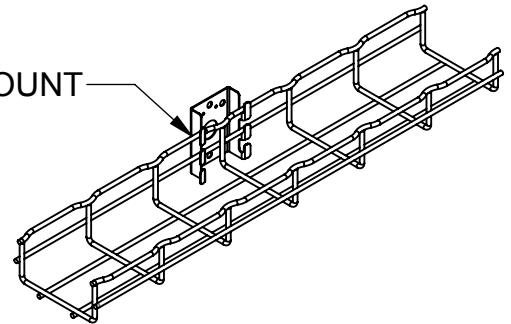


BOX MOUNT



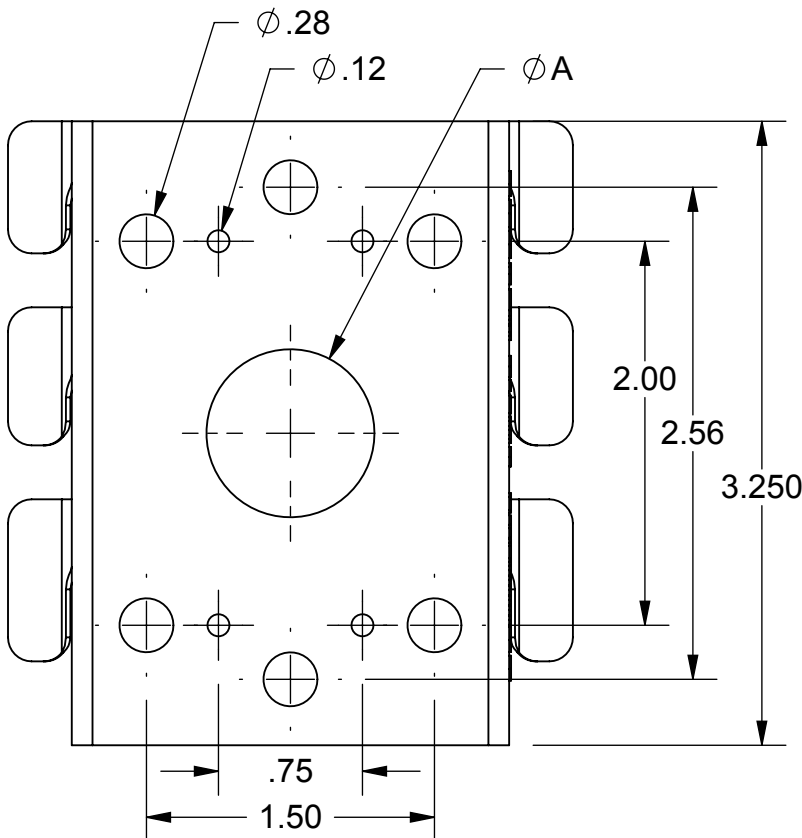
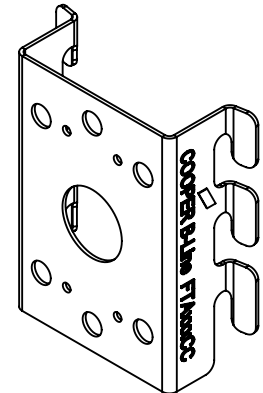
WALL MOUNT



CONDUIT CONNECTOR

INSTALLED VIEW  
(BASKET, BOX, ADAPTER  
AND CONDUIT NOT INCLUDED)

CATALOG NUMBER	CENTER HOLE SIZE "A"	CONDUIT SIZE
FTA050CC	.88	1/2"
FTA075CC	1.13	3/4"
FTA100CC	1.38	1"
FTA125CC	1.75	1 1/4"



**USES**

- ATTACH 2" OR 4" WIDE TRAYS TO WALLS OR CABINETS
- MOUNT ELECTRICAL BOX TO BASKET
- CONNECT CONDUIT TO BASKET

- BEND TABS TO SECURE TO TRAY
- NO HARDWARE INCLUDED
- FINISH: PRE-GALVANIZED ZINC

THIS DRAWING AND/OR THE TECHNICAL INFORMATION CONTAINED HEREON IS THE PROPERTY OF COOPER B-LINE, INC. ("B-LINE"), AND IS ISSUED IN CONFIDENCE FOR B-LINE ENGINEERING PURPOSES ONLY AND MAY NOT BE REPRODUCED OR USED FOR ANY PURPOSE WHATSOEVER WITHOUT THE EXPRESS WRITTEN PERMISSION OF B-LINE TO THE USER. THIS DRAWING AND/OR TECHNICAL INFORMATION IS THE PROPERTY OF B-LINE AND IS LOANED FOR MUTUAL ASSISTANCE. TO BE RETURNED WHEN ITS INTENDED PURPOSE HAS BEEN SERVED.



509 W. Monroe Street  
Highland, IL 62249  
Phone (618) 654-2184  
FAX (618) 654-5499

www.cooperbline.com

**SUBMITTAL DRAWING**

TITLE:

**WIRE BASKET  
WALL BRACKET  
BOX MOUNT  
CONDUIT CONNECTORS**

EQUIPMENT FURNISHED HAS BEEN FABRICATED IN ACCORDANCE WITH THIS DRAWING.

REFERENCE DWG(S):

SUBMITTAL NO:

**S00015773**

DRAWN BY: REV.

**BMT**

DATE: **12/4/08**

MODEL SOURCE FILE:

**00015773**

REV:

SHEET:

**1 OF 1**