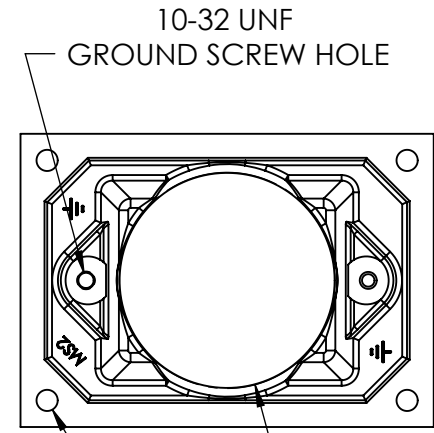
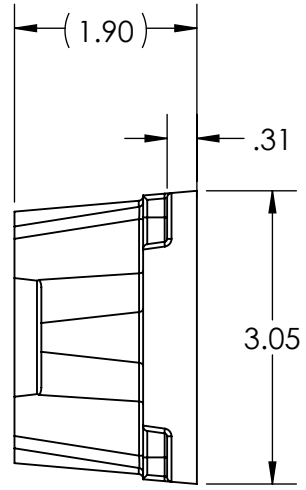
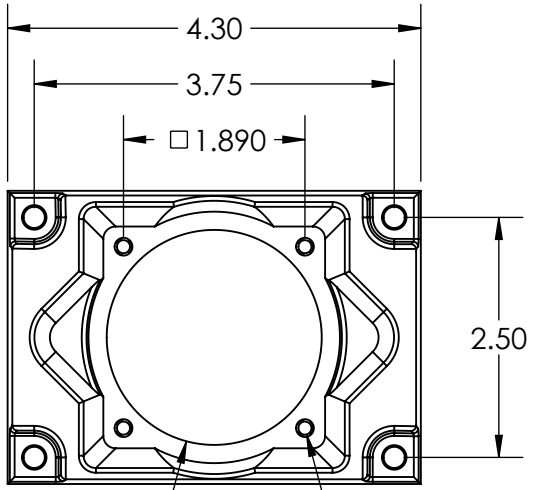
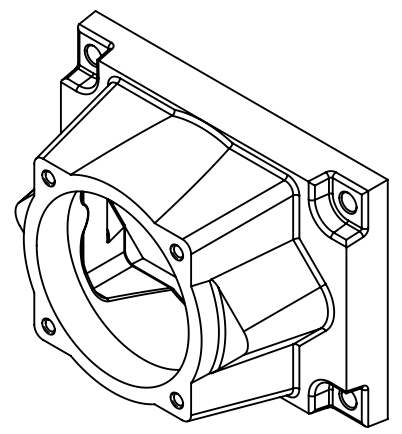


This drawing is the property of MELTRIC Corporation, Franklin (Milwaukee) Wisconsin, USA. Any unauthorized copying of this drawing by any means, ENG/RD/06 REV: 20 ISSUED DATE: 1/15/11 or disclosure of its contents to any person not authorized by MELTRIC Corporation or its agents to receive it, is strictly prohibited.

G F E D C B A

1  
2  
3  
4  
5  
6



Ø 2.24 THRU ALL  
4X 8-32 UNC

10-32 UNF GROUND SCREW HOLE  
4X Ø .22 THRU ALL  
Ø 2.25 PANEL KNOCKOUT HOLE

TOLERANCES UNLESS OTHERWISE SPECIFIED				DRAWING TITLE:	
MACHINED SURFACES $\sqrt{125}$ MAX	ENGLISH			DRAWN	APPROVED
GROUND SURFACES $\sqrt{32}$ MAX	<b>0.X ±0.05</b> <b>0.XX ±0.01</b> <b>0.XXX ±0.005</b>	DATE:	SCALE	MATERIAL:	
ANGLE TOLERANCE ±1°			NTS	PAINTED METAL	
REMOVE BURRS & SHARP EDGES TO .015 MAX.		SHEET:	PART NUMBER		REVISION
DIMENSIONS SHOWN IN OVALS ARE INSPECTION DIMENSIONS.		1 OF 1	MS2		