


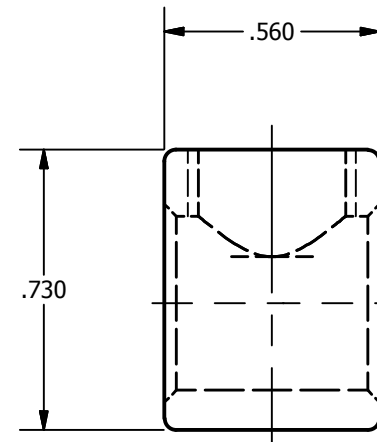
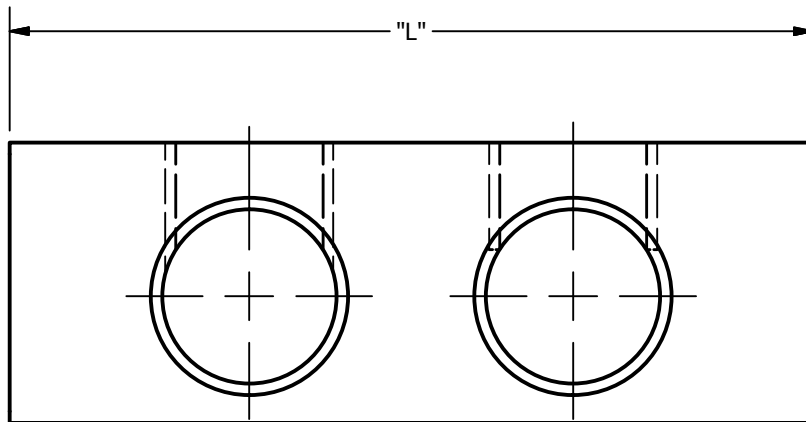
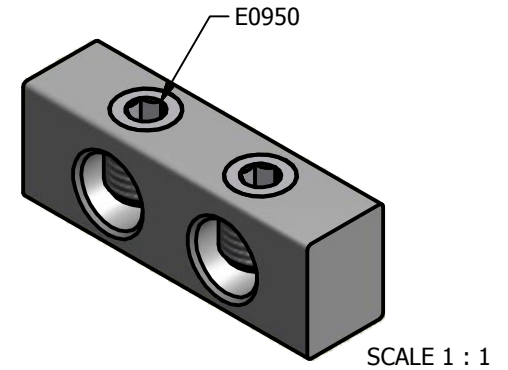
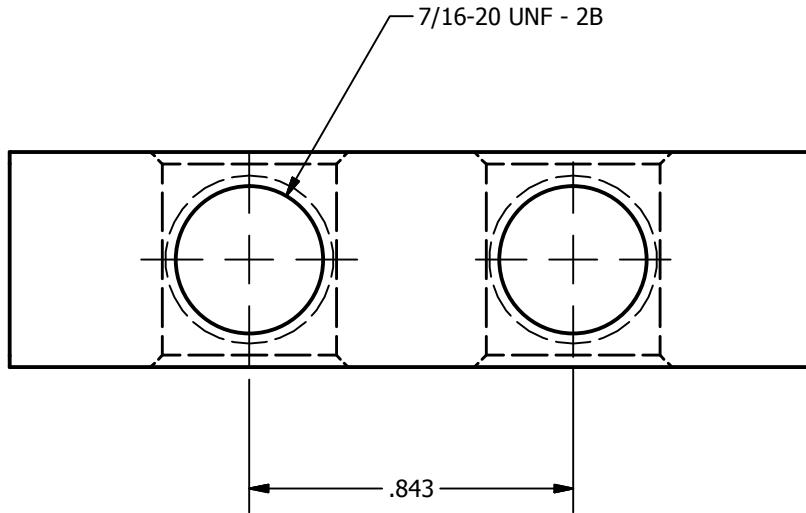


SCREW: E0950	MATERIAL: ALUMINUM	REV: L		
CAT. NO.: PED-2-2/0-Z	PLATING: EL-TIN	DRAWN BY: CLH	SCALE: 1:1	800-776-9775 www.ilsco.com
INFORMATION SHEET: FORM 1	MARKING: ILSCO, PED-2/0 Z, 2/0-14, AL9CU  	DATE: 8/29/2007	SIZE: A	DWG. NO. N1255
				SHEET: 1 OF 1



DEVIATION	OUTLETS	"L"
-02	2	2.091
-04	4	3.777
-06	6	5.463
-08	8	7.149