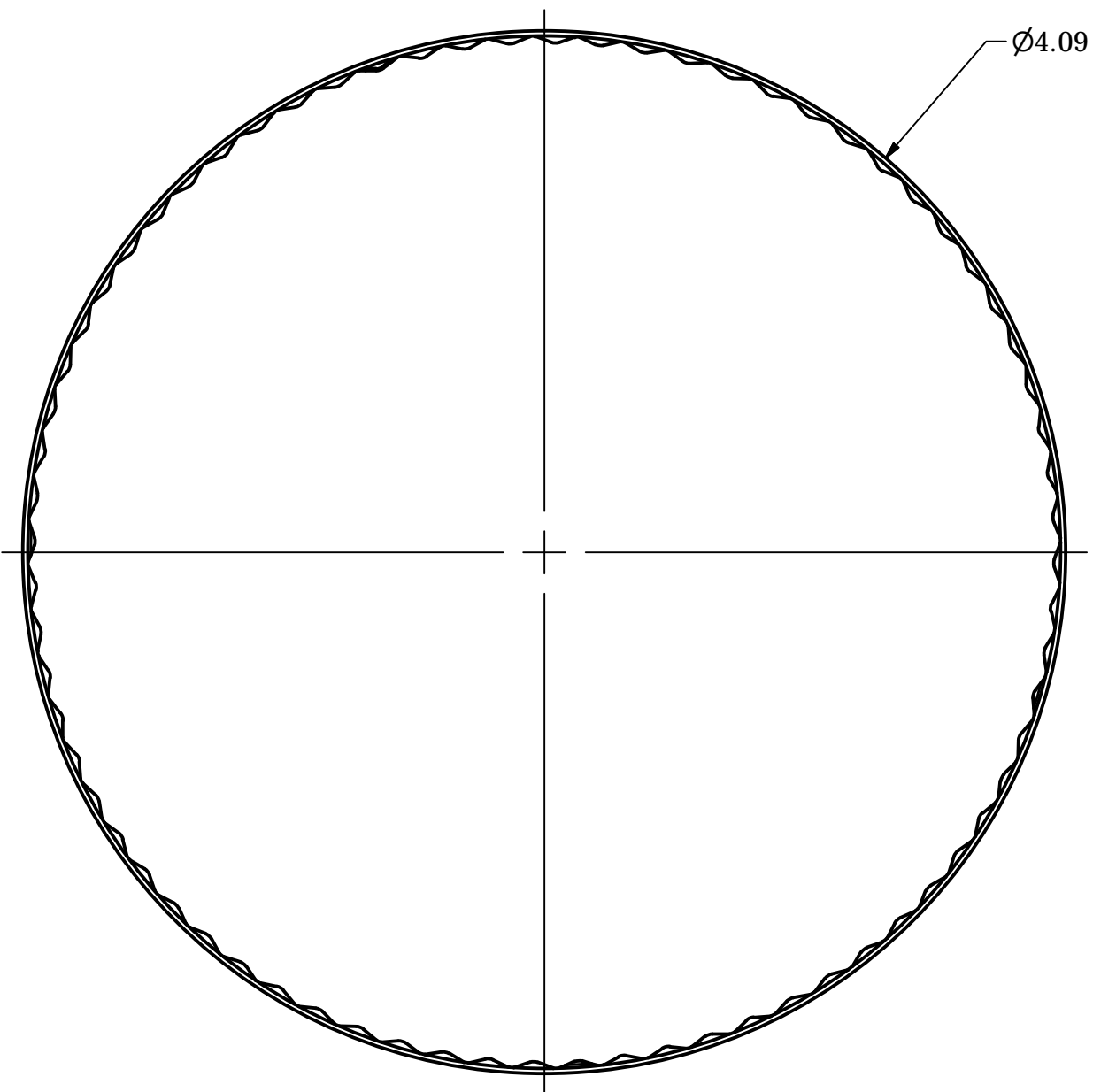
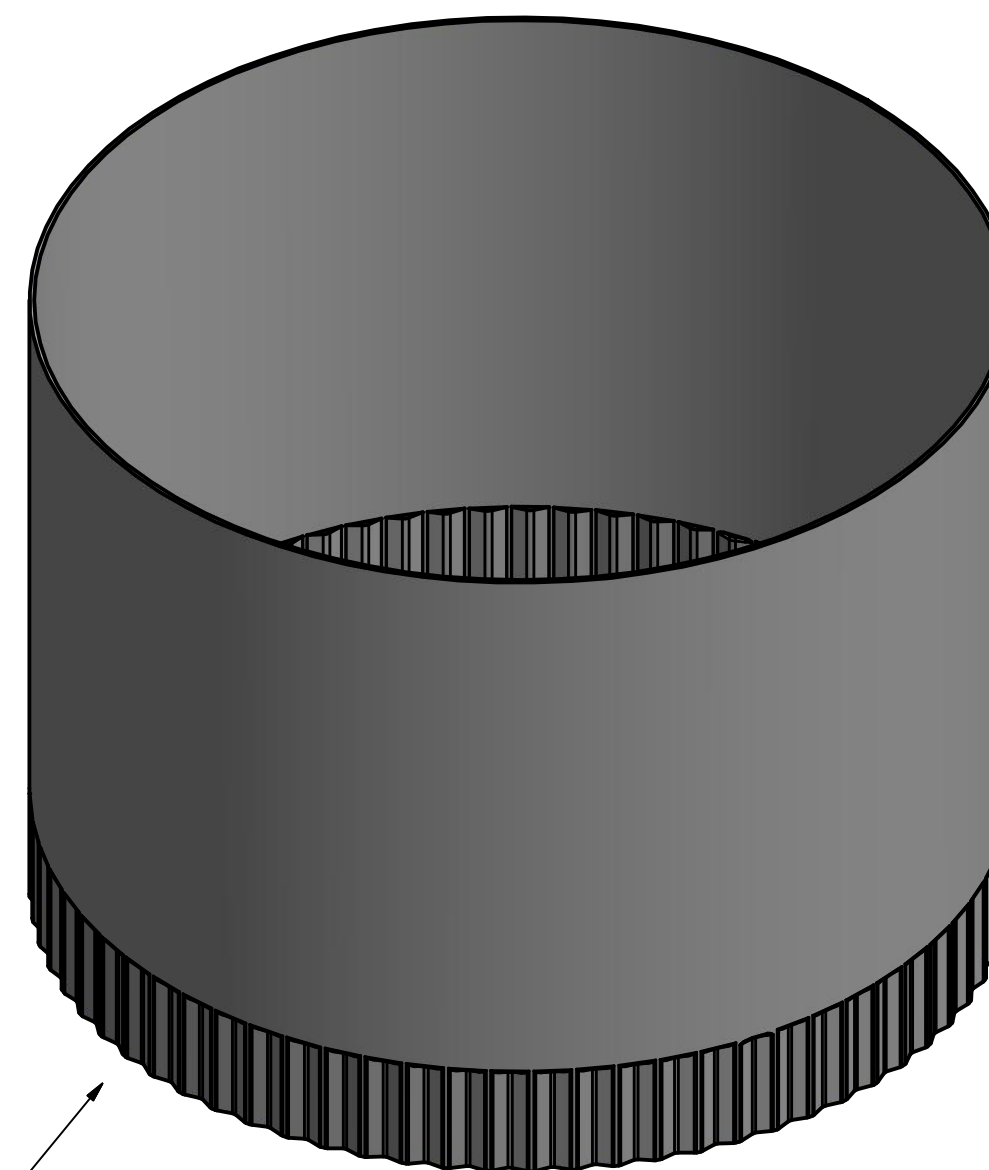


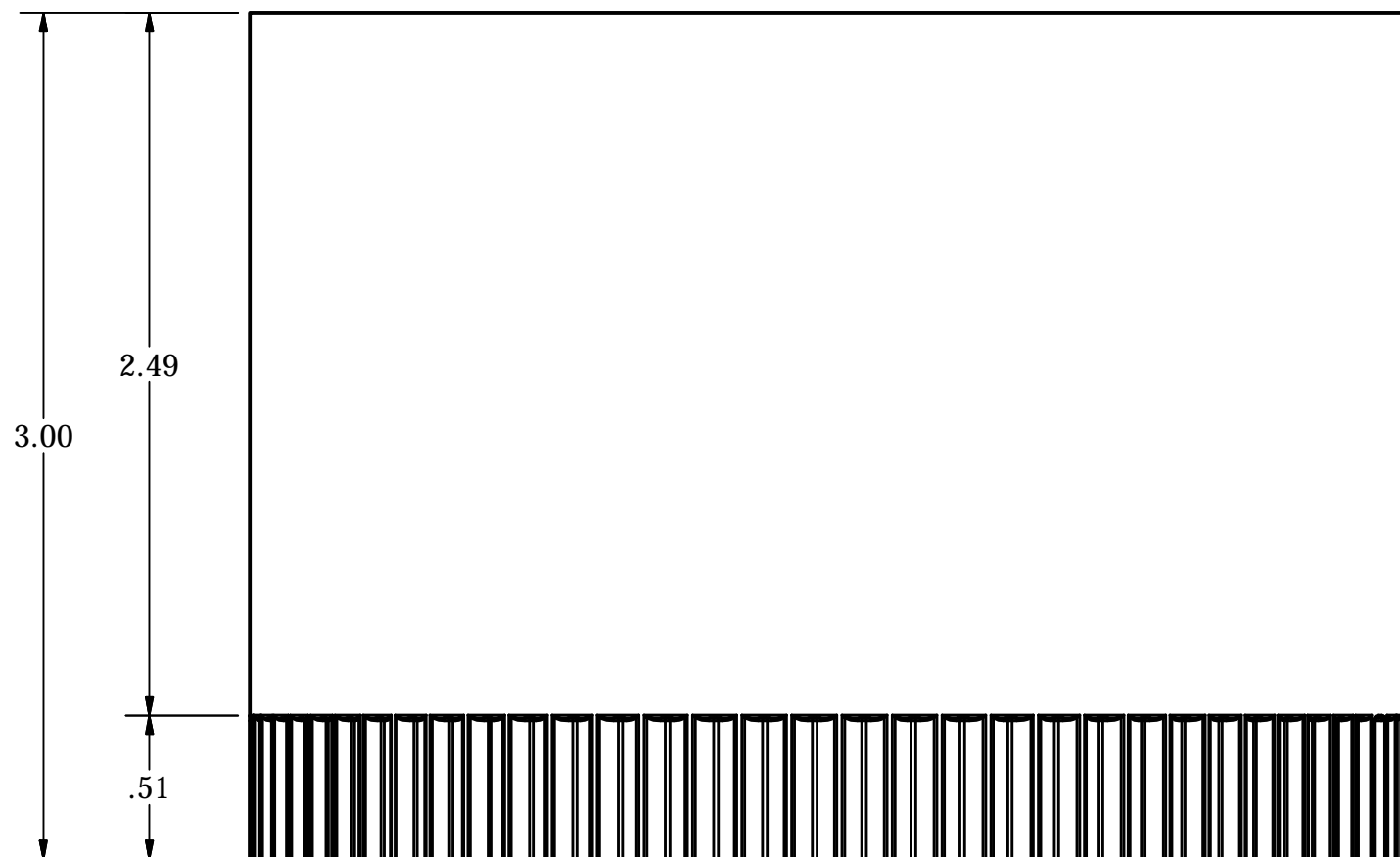
DRAWN J.Valenti	2/1/2015	LAMBRO INDUSTRIES, INC.		
CHECKED		TITLE		
QA		LARGE CYL VENT ASSEMBLY		
MFG		SIZE C	DWG NO LARGE VENT ASSEMBLY	REV A
APPROVED		SCALE	SHEET 1 OF 1	



Ø4.09



PERFORATED EDGE



3.00

2.49

.51



DRAWN J.Valenti		2/1/2015		LAMBRO INDUSTRIES, INC.	
CHECKED				TITLE	
QA				LARGE VENT TUBE	
MFG					
APPROVED					
		SIZE	DWG NO	REV	
		C	LARGE CYL VENT TUBE	A	
		SCALE	SHEET 1 OF 1		

4

3

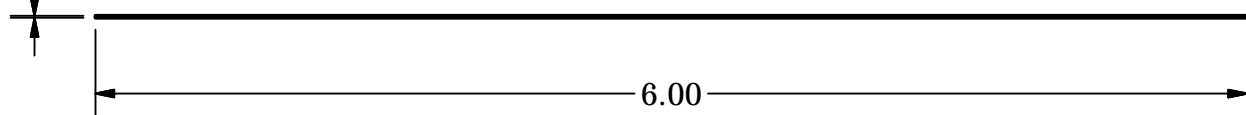
2

1

D

D

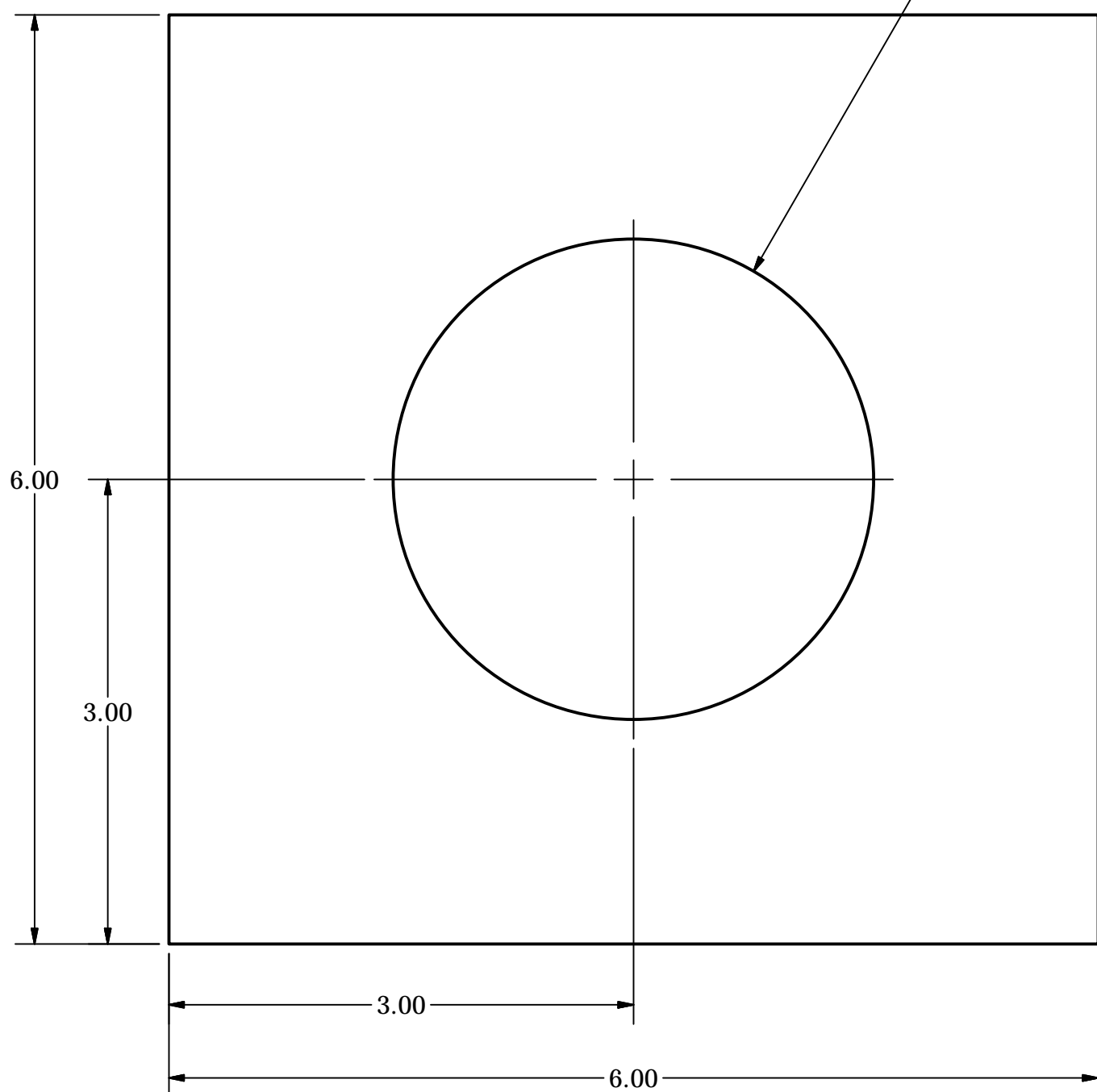
.01 THK.



C

C

Ø3.10 THRU

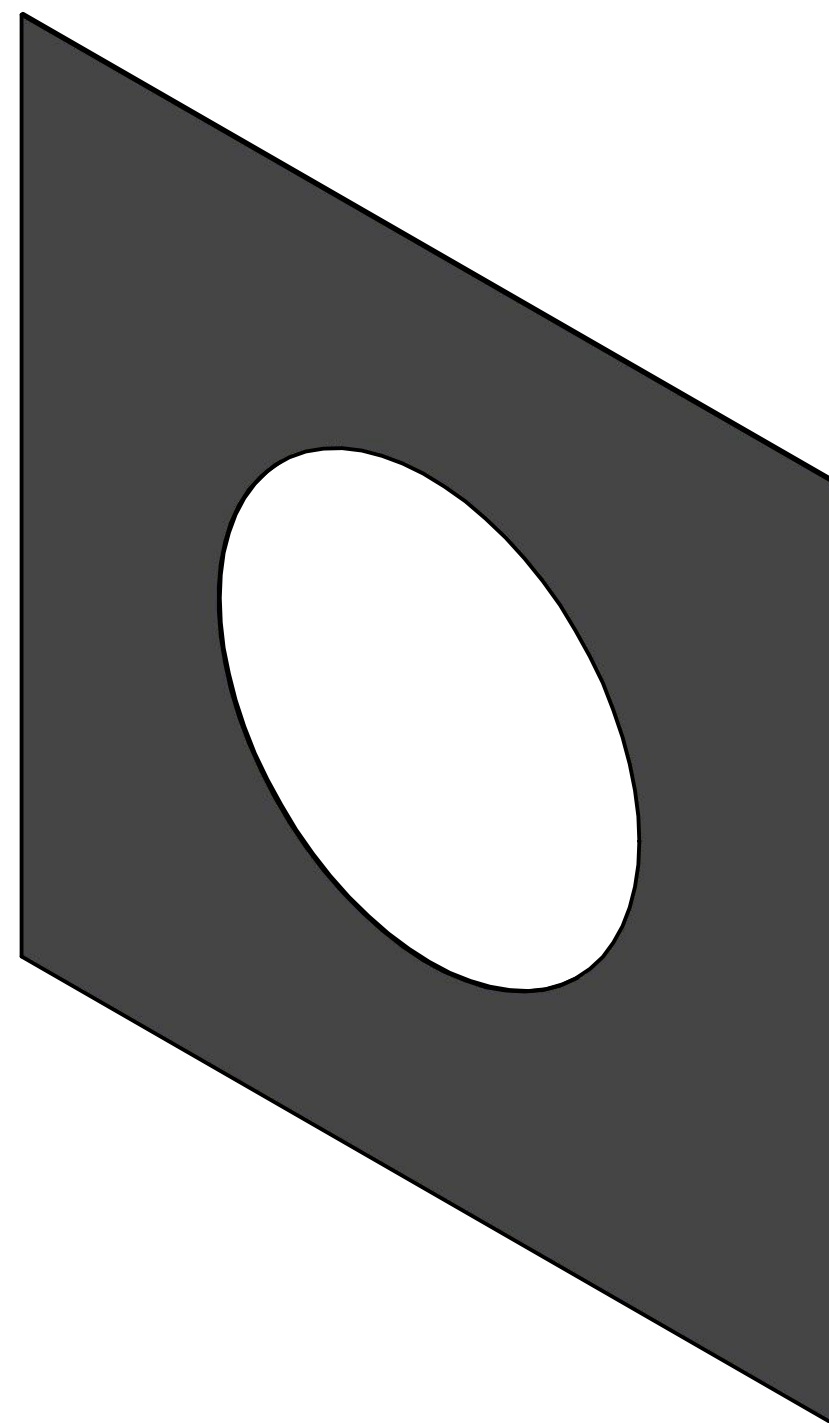


B

B

A

A



DRAWN J.Valenti	2/1/2015	LAMBRO INDUSTRIES, INC.		
CHECKED		TITLE		
QA		LARGE VENT BASE		
MFG		SIZE	DWG NO	REV
APPROVED		C	LARGE CYL VENT BASE	A
		SCALE	SHEET 1 OF 1	

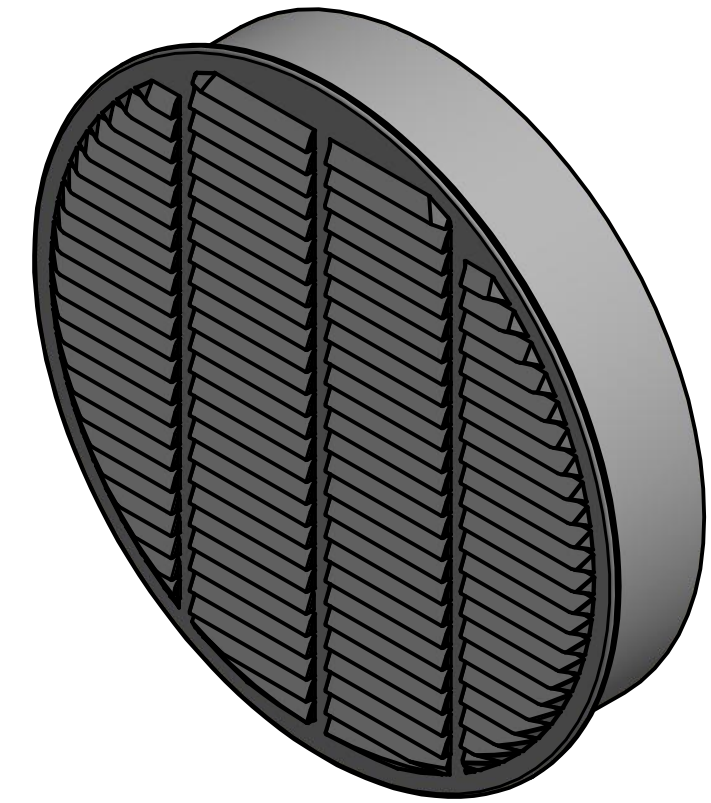
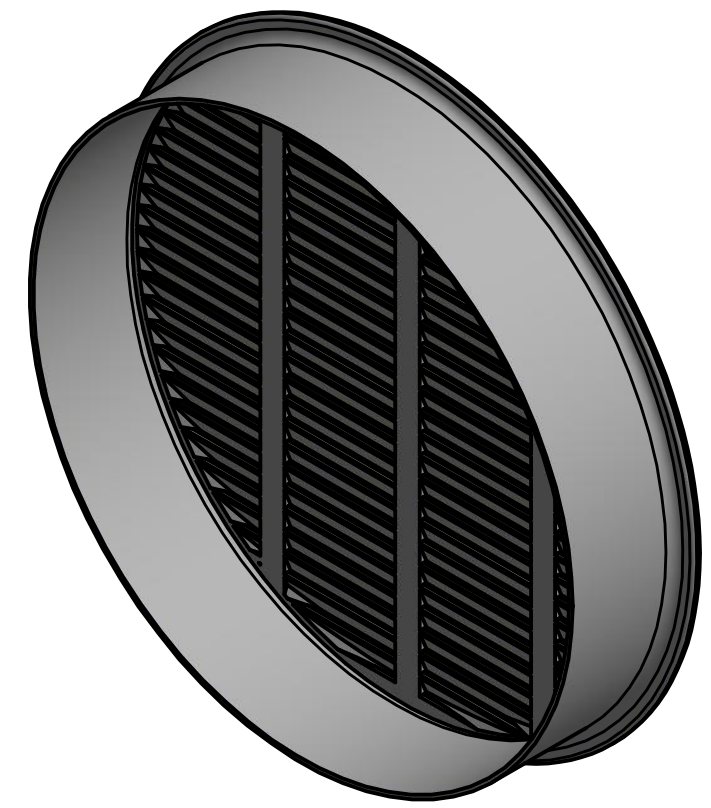
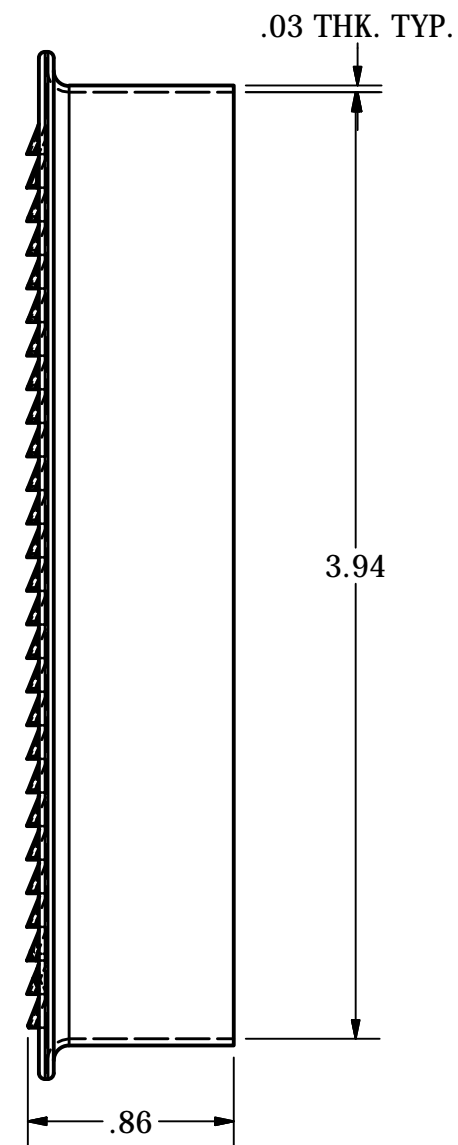
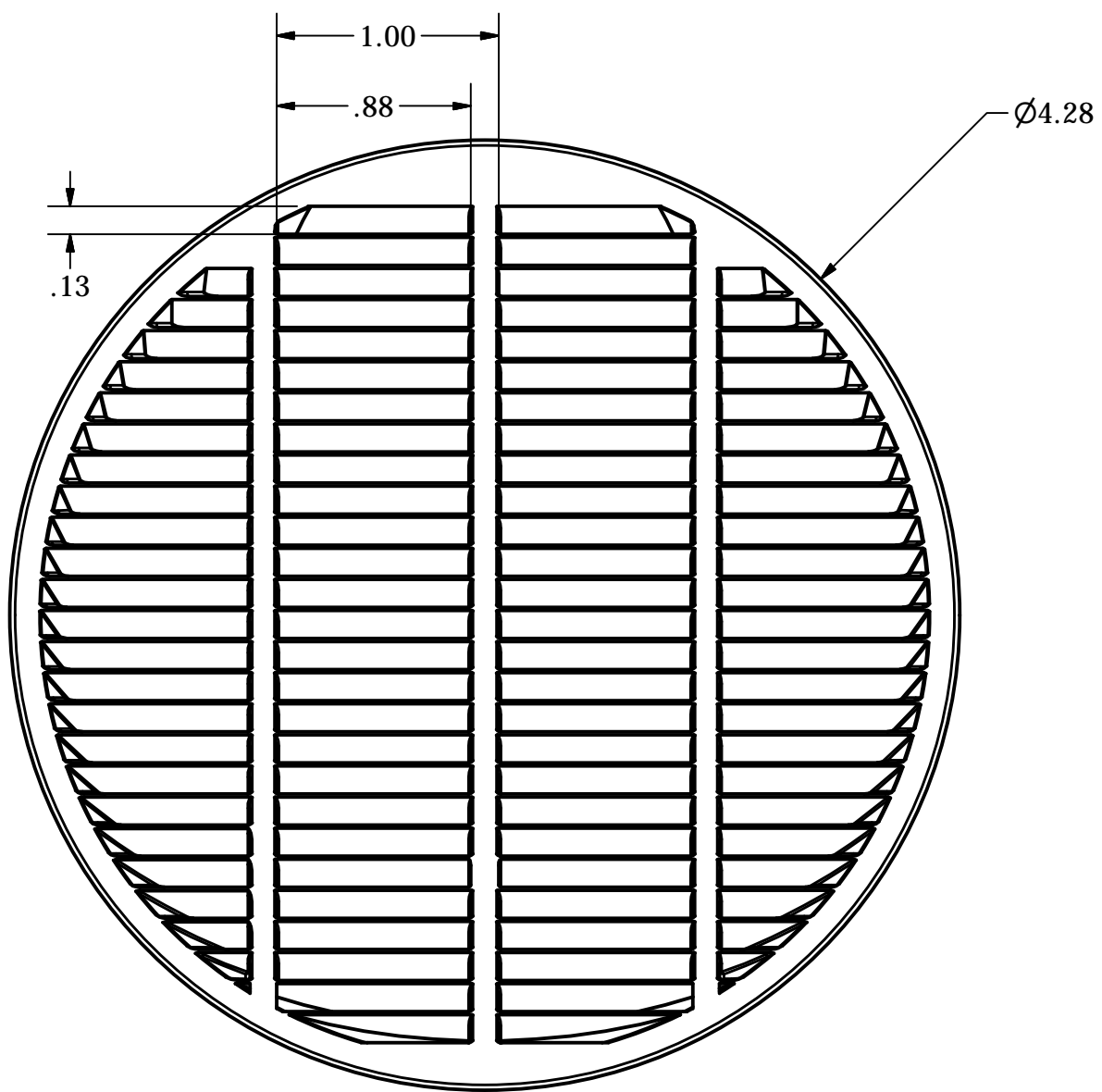
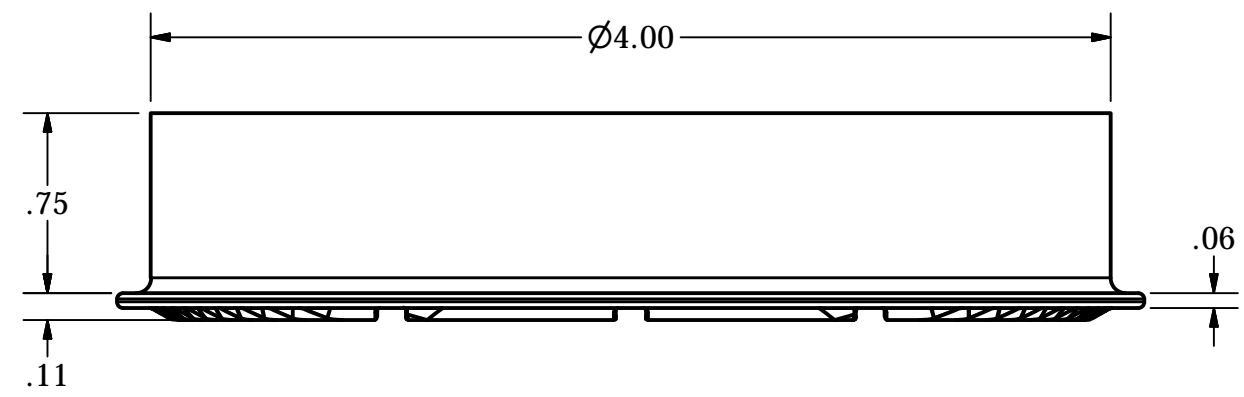
4

3

2

1





DRAWN J.Valenti	2/1/2015	LAMBRO INDUSTRIES, INC.		
CHECKED		TITLE		
QA		LARGE VENT CAP		
MFG		SIZE	DWG NO	REV
APPROVED		C	LARGE CYL VENT	A
		SCALE	SHEET 1 OF 1	