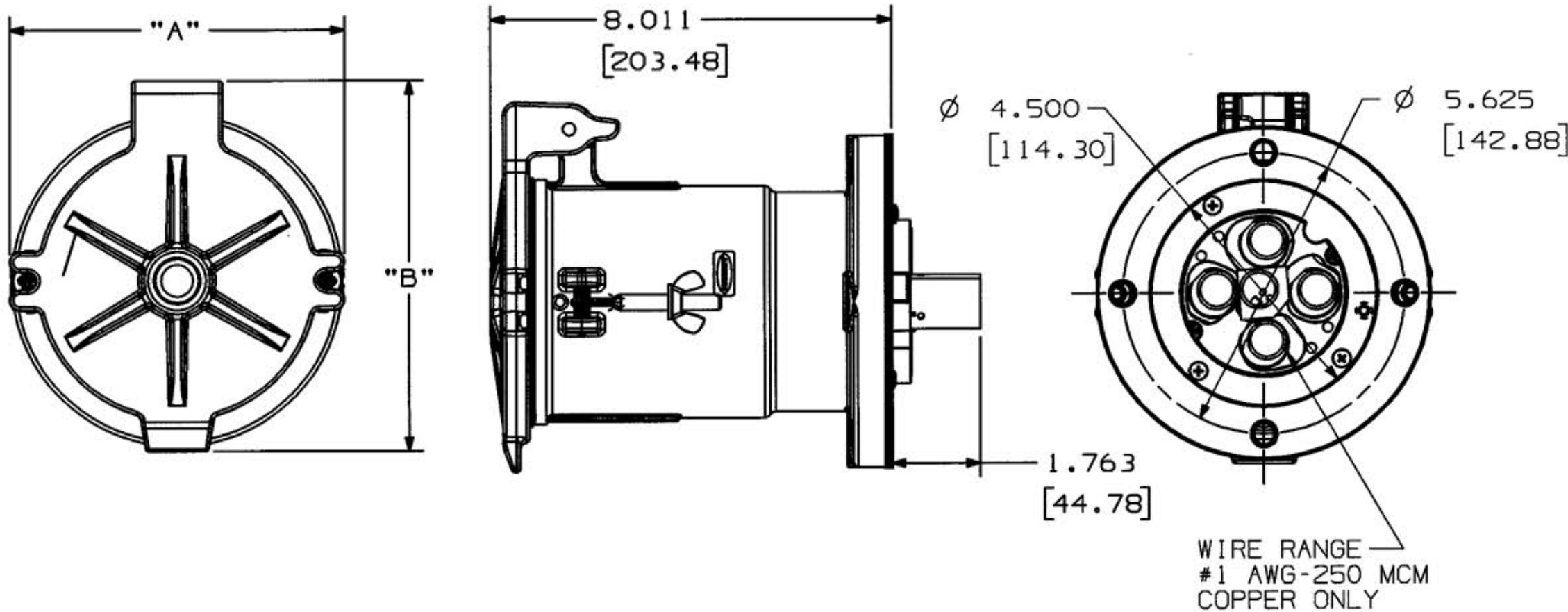


M-8388 2



NOTES: (UNLESS OTHERWISE SPECIFIED)

1) DIMENSION FORMAT IS: INCHES [mm]

TABLE									
AMPS	MAX VOLTAGE AC/DC	CONNECTOR CATALOG NUMBER	PLUG			DIM "A"		DIM "B" ϕ	
			STYLE	POLE	WIRE	INS.	mm	INS.	mm
200	600/250	HBL4200RS1WR	S1	3P	4W	6.5	165.1	7.0	177.8
200	600/250	HBL3200RS2WR	S2	2P	3W	6.9	169.9	7.39	187.7
200	600/250	HBL5200RS1WR	S1	4P	5W				
200	600/250	HBL4200RS2WR	S2	3P	4W				

LIST OF PARTS

DESCRIPTION	MATERIAL	FINISH
HINGE BUSHING	ALUMINUM	
SPRING GUIDE	STAIN STEEL	
LID SPRING	STAIN STEEL	
LID	ALUMINUM	GRAY EPOXY
O-RING	RUBBER	
LID GASKET	RUBBER	
RIVET	ALUMINUM	
RECEPTACLE	ALUMINUM	GRAY EPOXY
SCREWS	STAIN STEEL	
SPRING WASHER	COPPER ALLOY	
SLEEVES	BRASS	
SWING BOLT	STAIN STEEL	
BUTTERFLY NUT	STAIN STEEL	
GROUND POST	BRASS	
GROUND STRAP	COPPER ALLOY	
INTERIOR	THERMOSET POLYESTER	

2	REVISED TABLE, ADDED "SEE TABLE", ϕ 4.500 [114.30] & NOTE 1; DRAWING TITLE WAS "200A PIN & SLEEVE REVERSE SERVICE RECEPTACLE ASSEMBLY STYLES 1 & 2"; ADDED "COPPER ONLY" TO "WIRE RANGE #1 AWG-250 MCM"; ϕ 5.625 [142.88] WAS REF.; ADDED DUAL DIMENSIONING TO 8.011, 1.763, & (5.625) ϕ DIM.S; PER DCN #8695. JMN	TCM	1/25/02
1	11/10/00 RELEASED PER DCN 8125 ALM	RDK	
SYM	REVISIONS	APP	DATE

THE DESIGN AND DIMENSIONS OF THE PRODUCT SHOWN ON THIS DRAWING ARE SUBJECT TO CHANGE WITHOUT NOTICE

TITLE
200A INSULGRIP PIN & SLEEVE REVERSE SERVICE RECEPTACLE STYLE 1 & 2

TOLERANCES UNLESS OTHERWISE SPECIFIED		WIRING DEVICE-KELLEMS HUBBELL INCORPORATED BRIDGEPORT, CT	
FRACTIONS $\pm 1/64$	DECIMALS $\pm .10$	DR. BY ALM	APP. BY
ANGLES $\pm 2^\circ$		TR. BY	SCALE NONE
		CHK'D BY	DATE 11/15/00

DIMENSION SHEET FOR CAT. NO. SEE TABLE
 REPAIRABLE
 NON-REPAIRABLE
 B
 M-8388
 N