
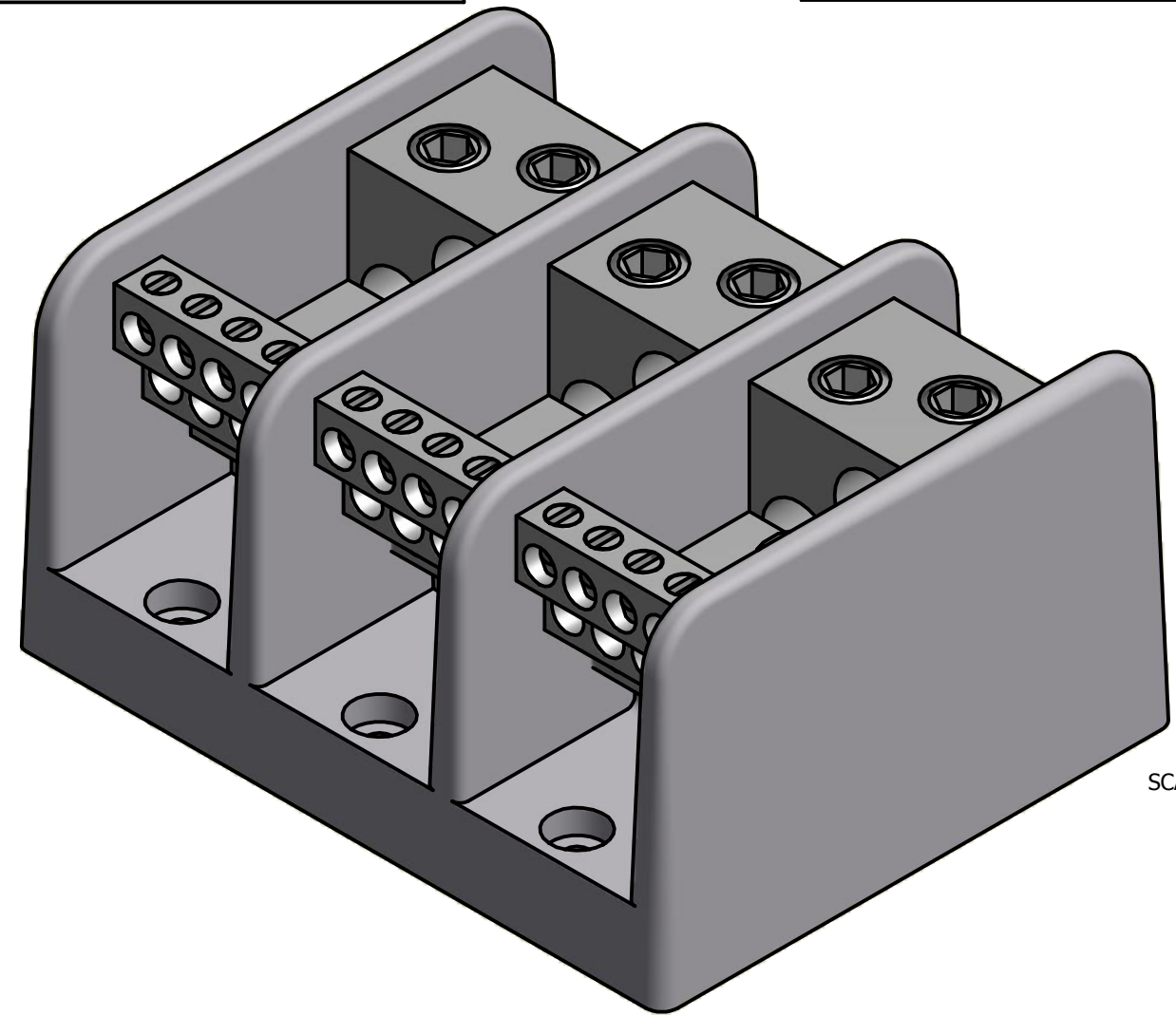
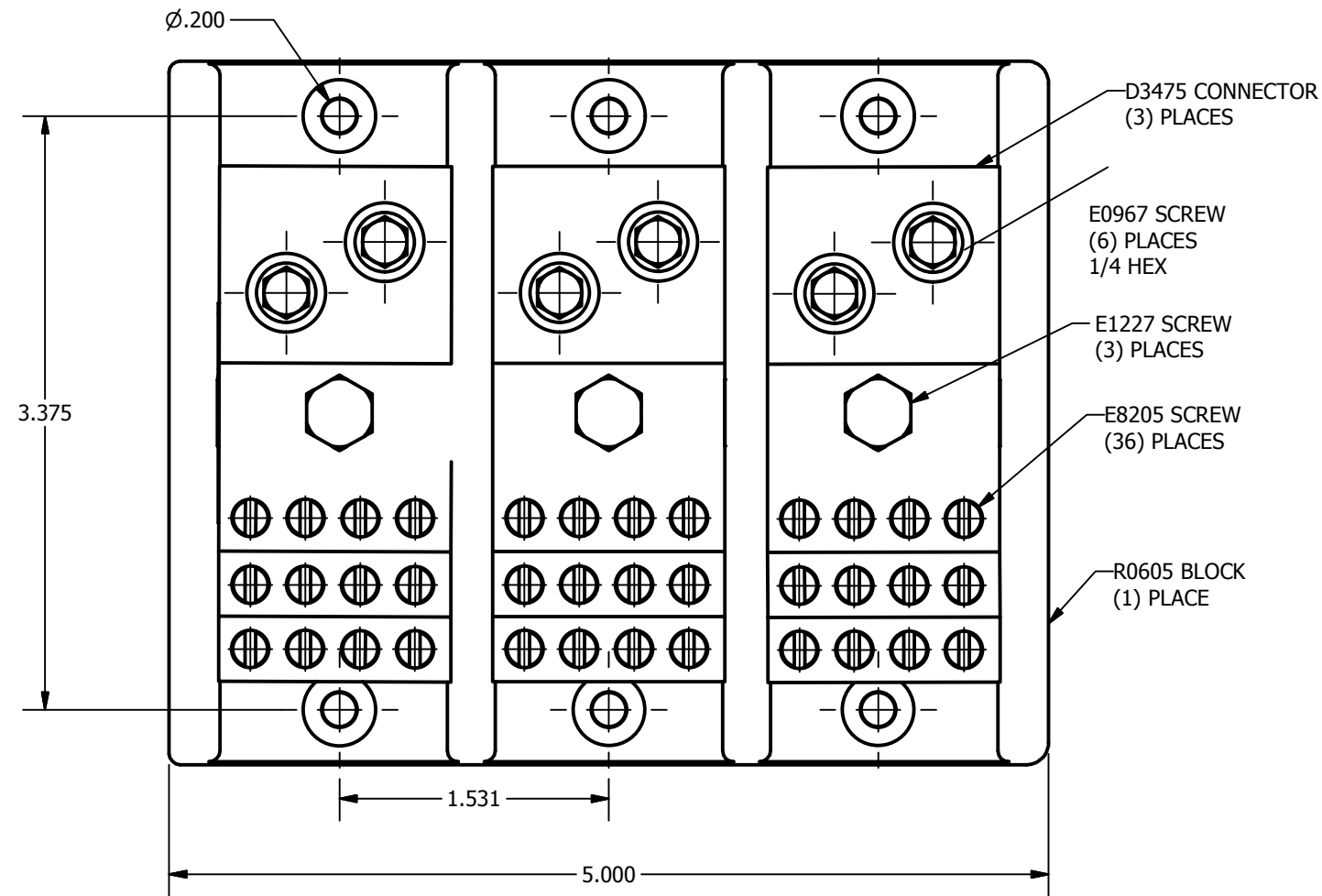


SCREW: SEE DWG	MATERIAL: NONE	REV: E	 800-776-9775 www.ilSCO.com
CAT. NO.: PDB-212-4/0-3	PLATING: NONE	DRAWN BY: CLH SCALE:	
INFORMATION SHEET: NONE	MARKING: NONE	DATE: 12/12/2008 SIZE: B	
			DWG NO: M2760
			SHEET: 1 OF 1



SCALE 1 : 1

