
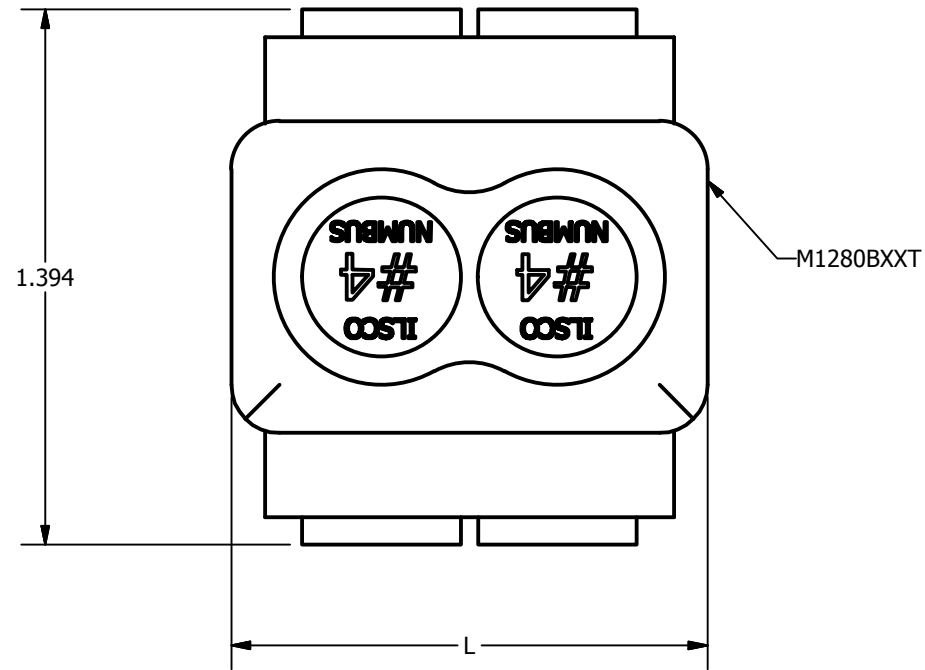


SCREW: E1381	MATERIAL: NONE	REV: K	 800-776-9775 www.ilSCO.com
CAT. NO.: SEE CHART	PLATING: NONE	DRAWN BY: CLH SCALE:	
INFORMATION SHEET: FORM 12	MARKING: NONE	DATE: 1/17/2008 SIZE: B	
			DWG NO: M1280 SHEET: 1 OF 1



ILSCO CATALOG #	L	# OR SCREW PORTS
PBTD-2-4	1.240	2
PBTD-3-4	1.698	3
PBTD-4-4	2.156	4
PBTD-5-4	2.614	5
PBTD-6-4	3.072	6
PBTD-7-4	3.530	7
PBTD-8-4	3.988	8
PBTD-9-4	4.446	9
PBTD-10-4	4.904	10
PBTD-11-4	5.362	11
PBTD-12-4	5.820	12
PBTD-13-4	6.458	13
PBTD-14-4	6.736	14

