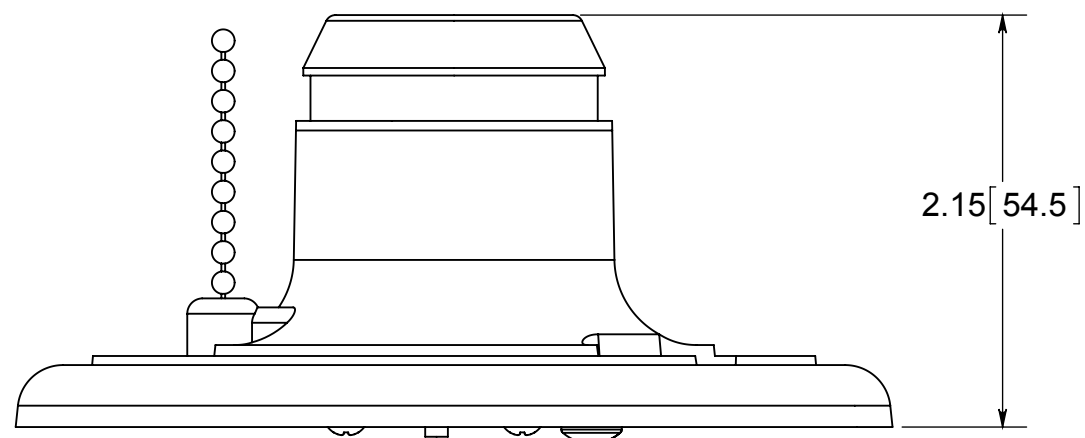
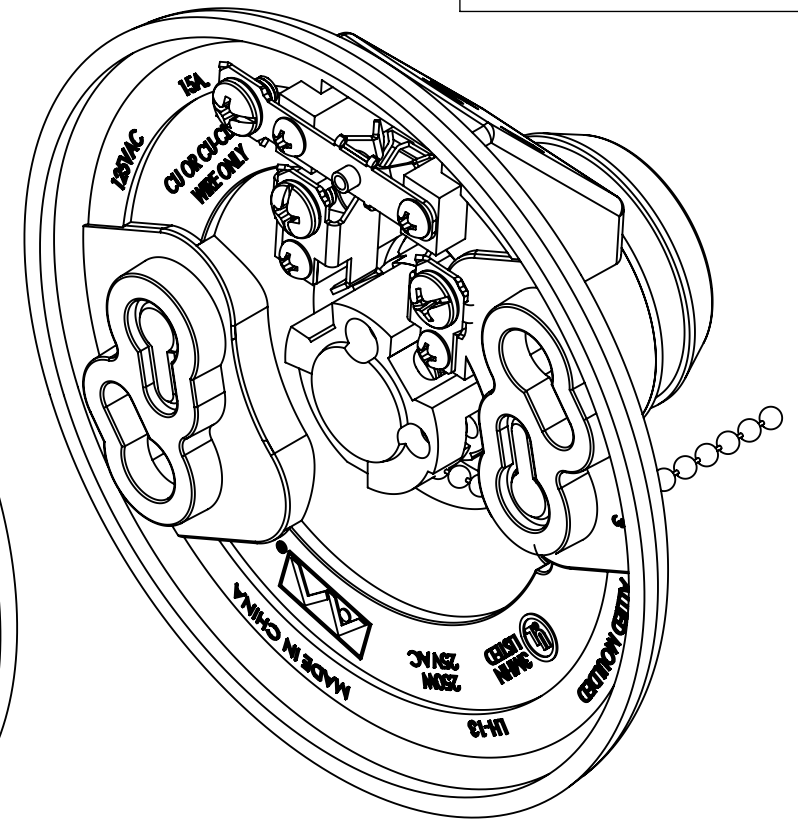
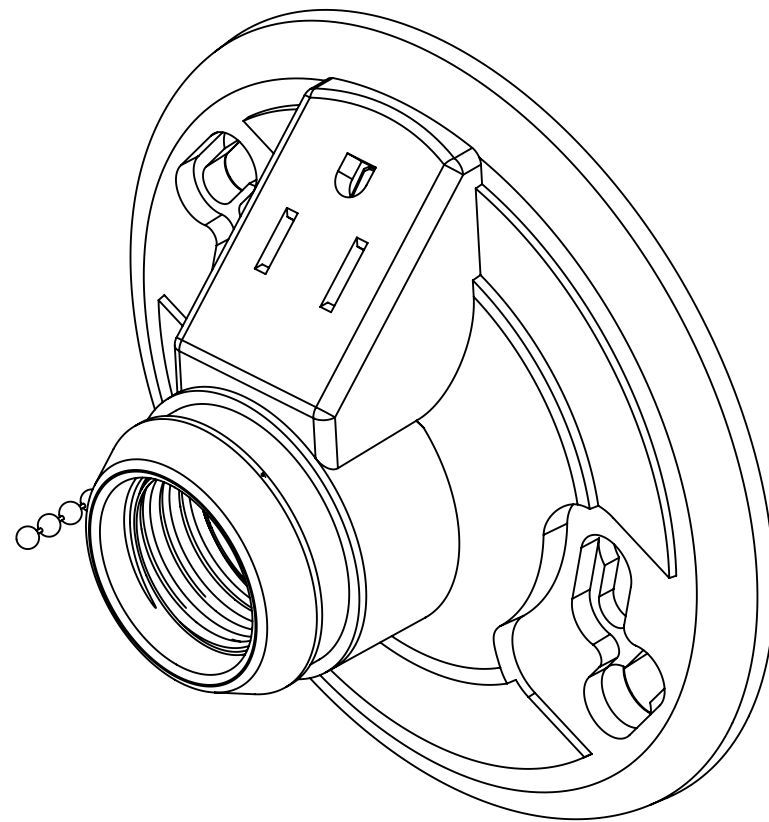
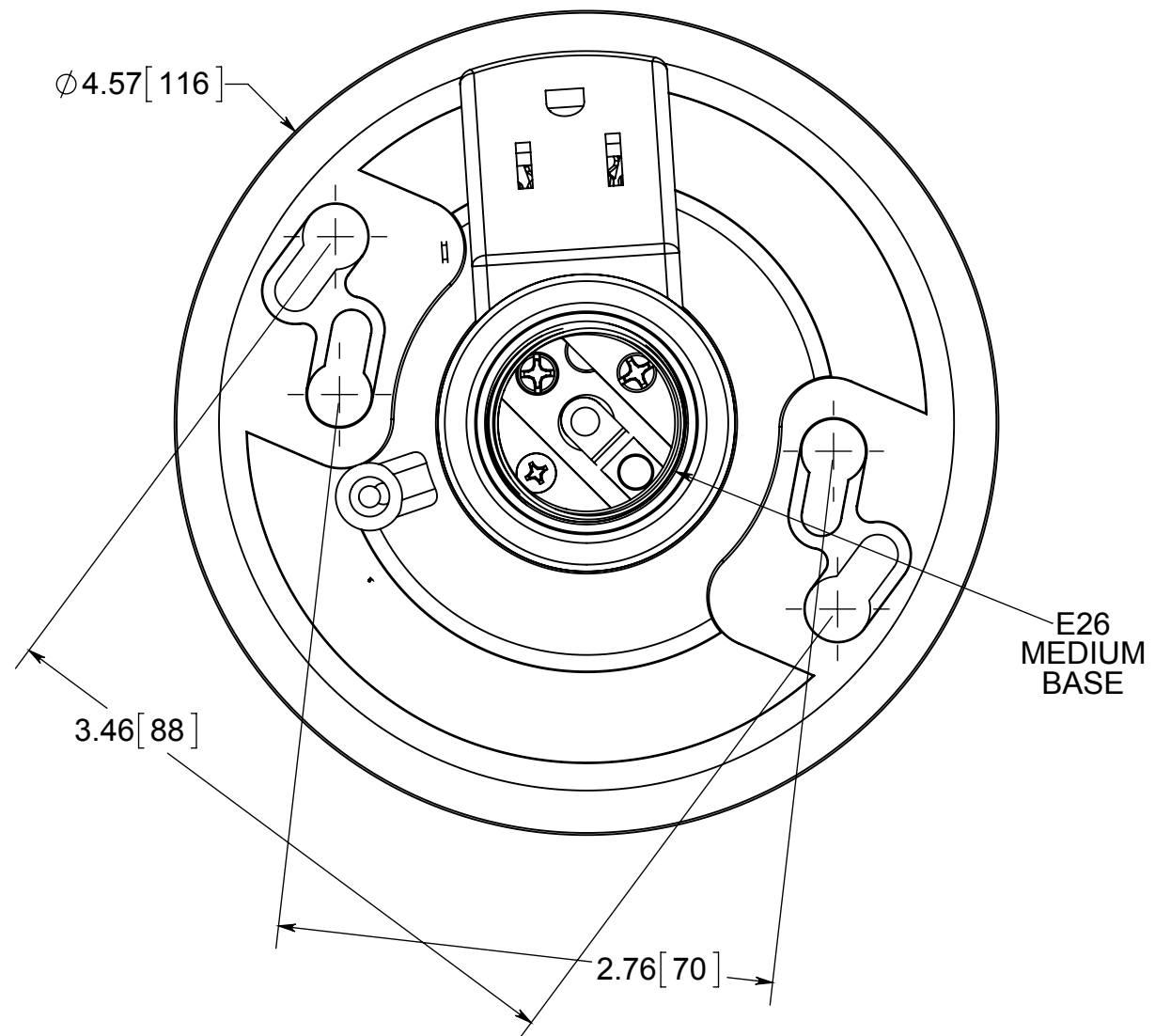


LAMPHOLDER

ISSUE DATE: 06/19/2015



- 1.) BASE MATERIAL: UV AND HEAT RESISTANT THERMOSET, SCREW SHELL MATERIAL: NICKEL-PLATED BRASS, TERMINAL MATERIAL: ZINC-PLATED BRASS, TERMINAL SCREW MATERIAL: NICKEL-PLATED BRASS
- 2.) MOUNTING SLOTS ACCEPT 3-1/2" OR 4" OUTLET BOXES
- 3.) LAMP RATED 660 WATTS AT 250 VOLTS (MAX)
- 4.) ACCEPTS MOST MANUFACTURERS BULB PROTECTIVE CAGES
- 5.) FOR USE IN NON-CORROSIVE, RESIDENTIAL LIGHTING APPLICATIONS AS PERMITTED BY LOCAL CODE
- 6.) INCLUDES CORROSION RESISTANT STEEL HARDWARE AND 3' PULL CORD
- 7.) GROUNDED OUTLET



® **ALLIED MOULDED PRODUCTS**
BRYAN, OHIO

The Original Fiber Glass Outlet Box

PRODUCT SERIES

PULL CORD MEDIUM BASE INCANDESCENT LAMPHOLDER

Part No.

LH-13P

CONFIDENTIAL

THIS MATERIAL IS OWNED BY THE ALLIED MOULDED PRODUCTS COMPANY, IS DISCLOSED IN CONFIDENCE, AND IS NOT TO BE REPRODUCED OR DISTRIBUTED WITHOUT PRIOR WRITTEN PERMISSION FROM ALLIED MOULDED PRODUCTS.