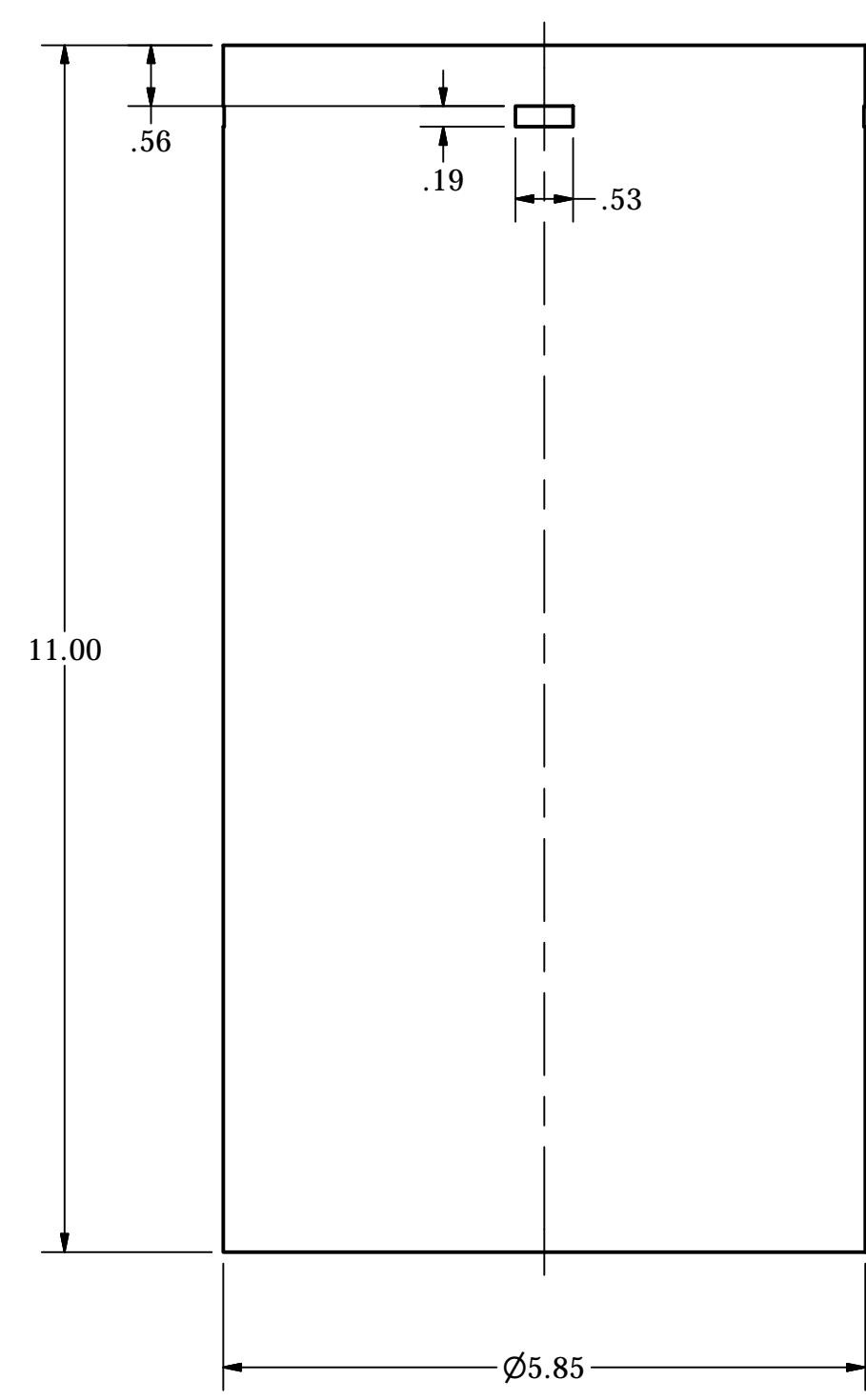
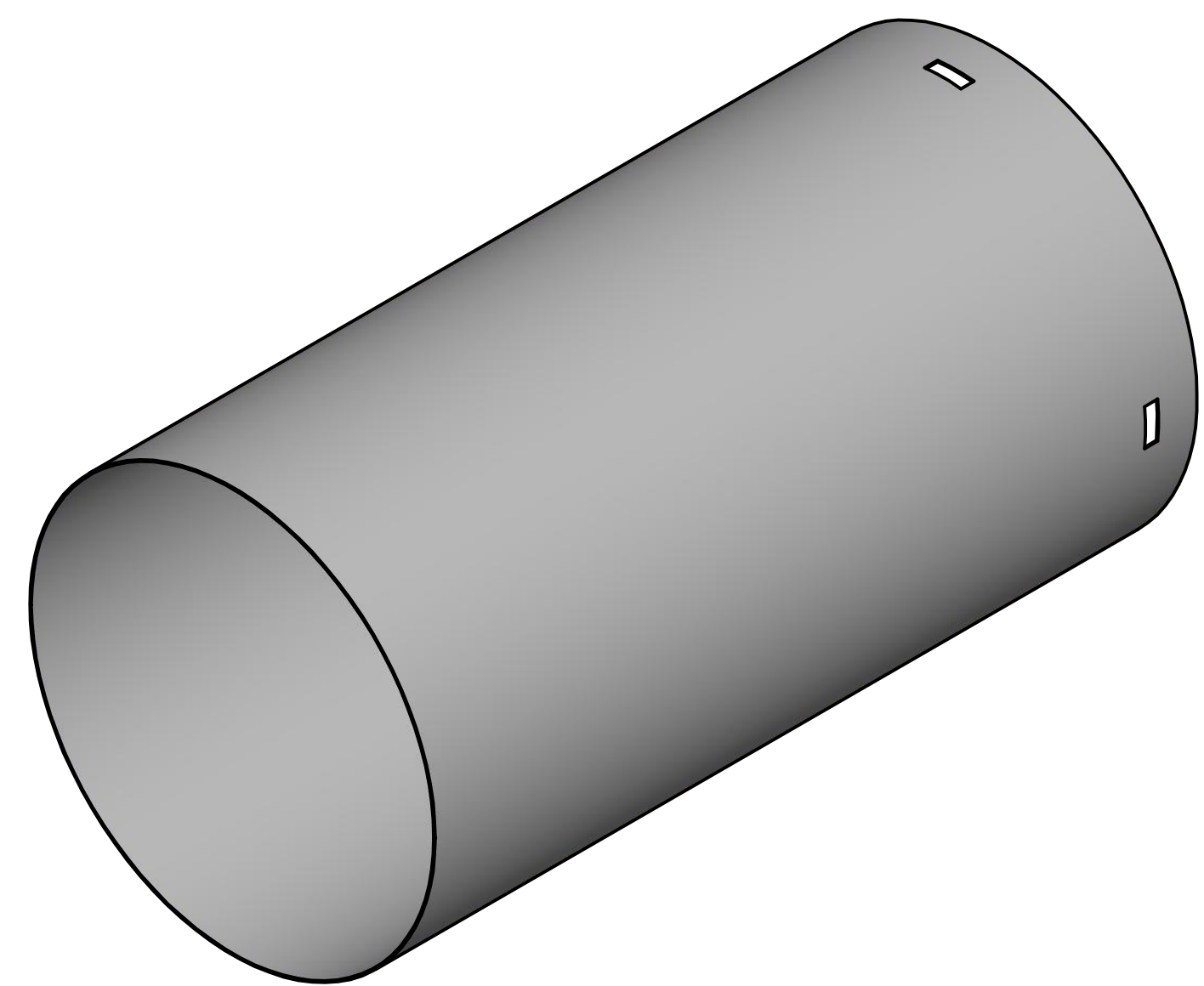
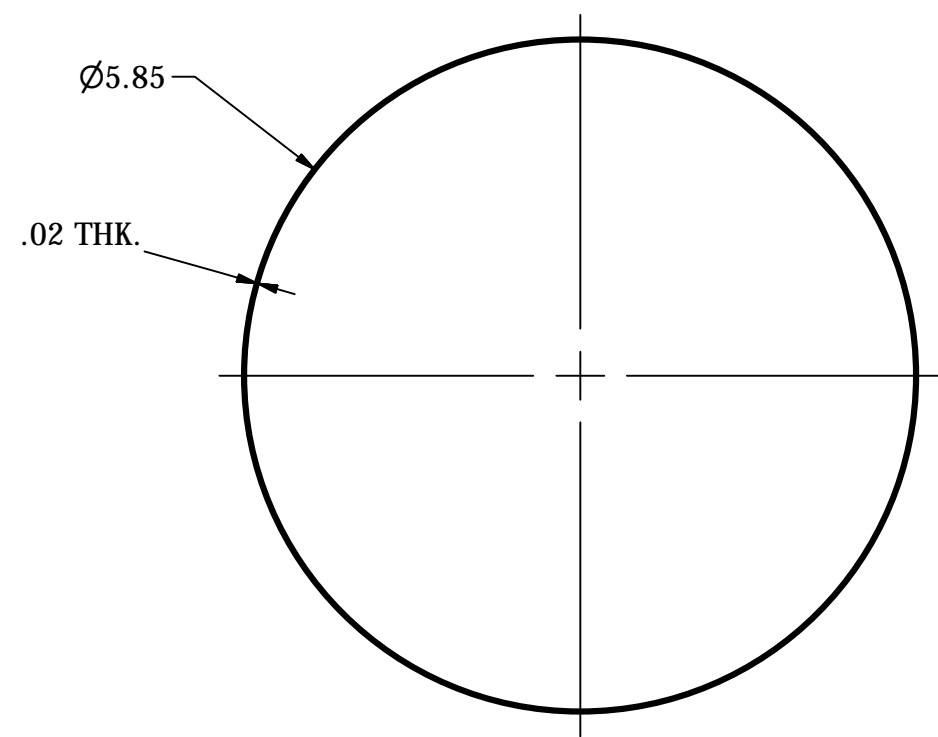


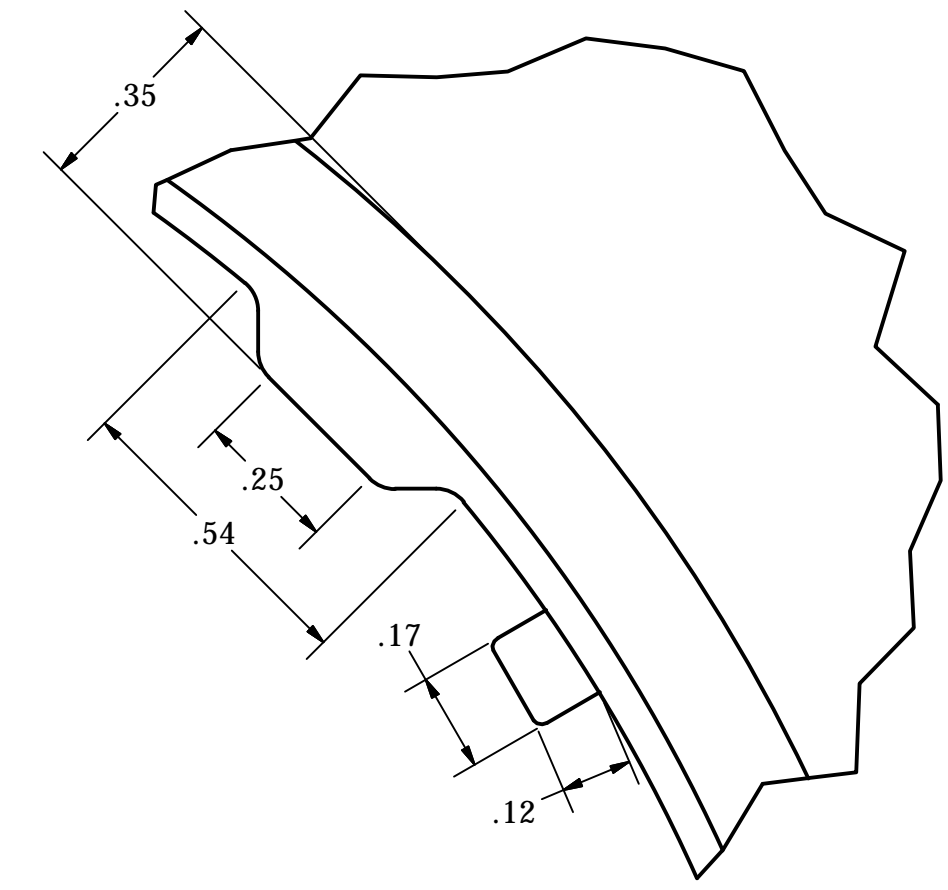
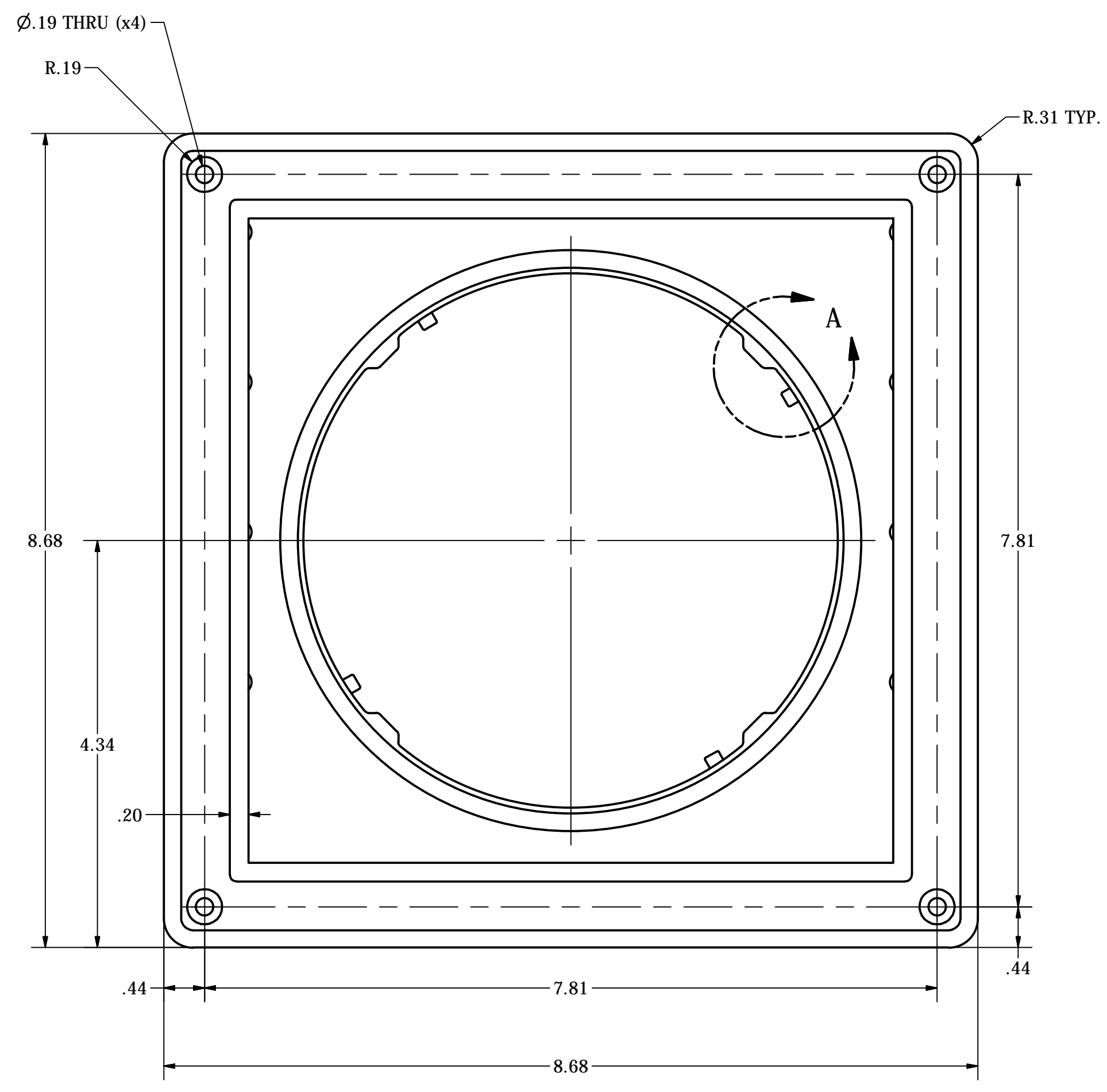
DRAWN J. VALENTI	3/23/2015	LAMBRO INDUSTRIES, INC.		
CHECKED		TITLE		
QA		361WTP ASSEMBLY		
MFG				
APPROVED				
		SIZE C	DWG NO 361WTP ASSEMBLY	REV
		SCALE	SHEET 1 OF 1	



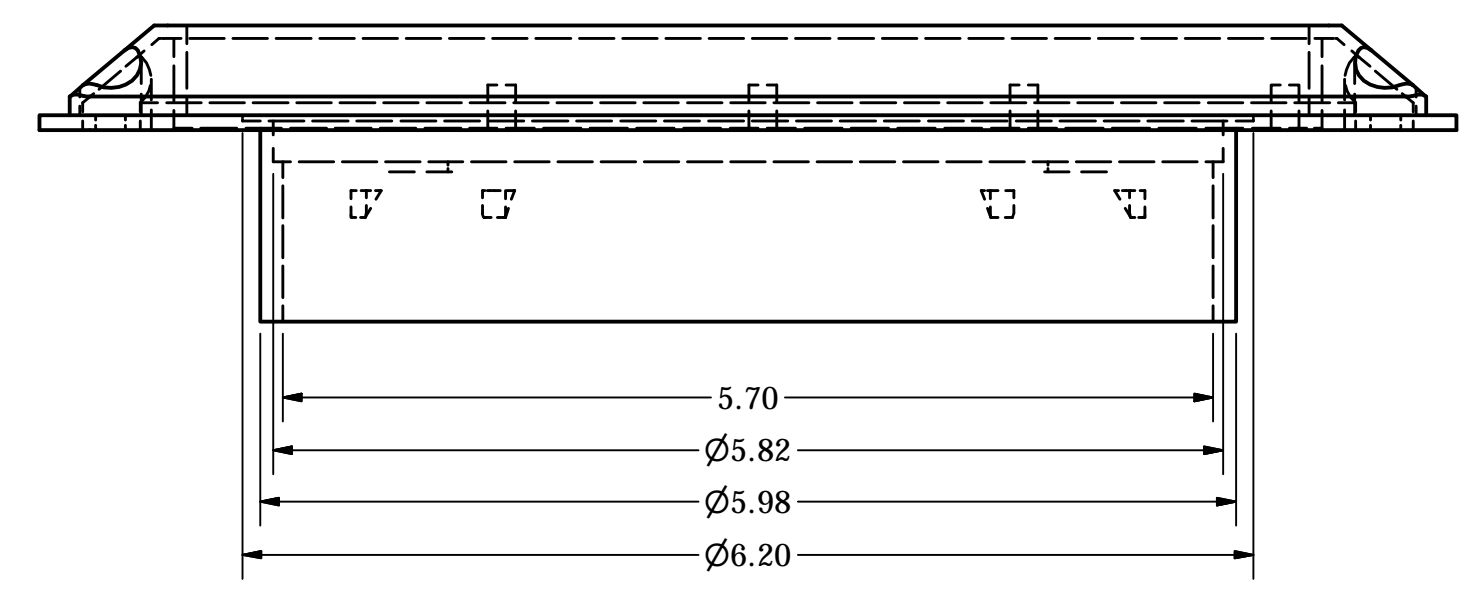
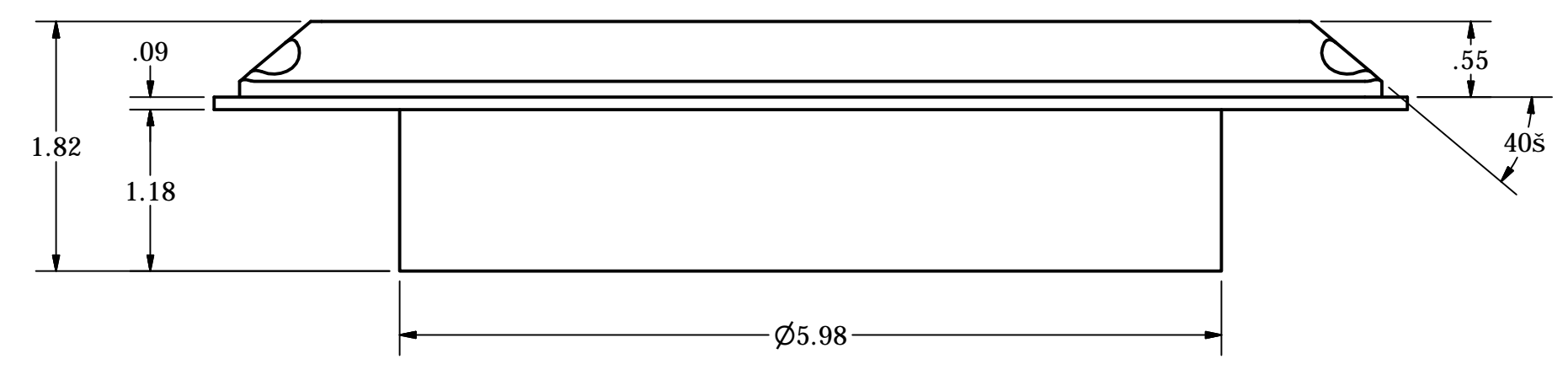
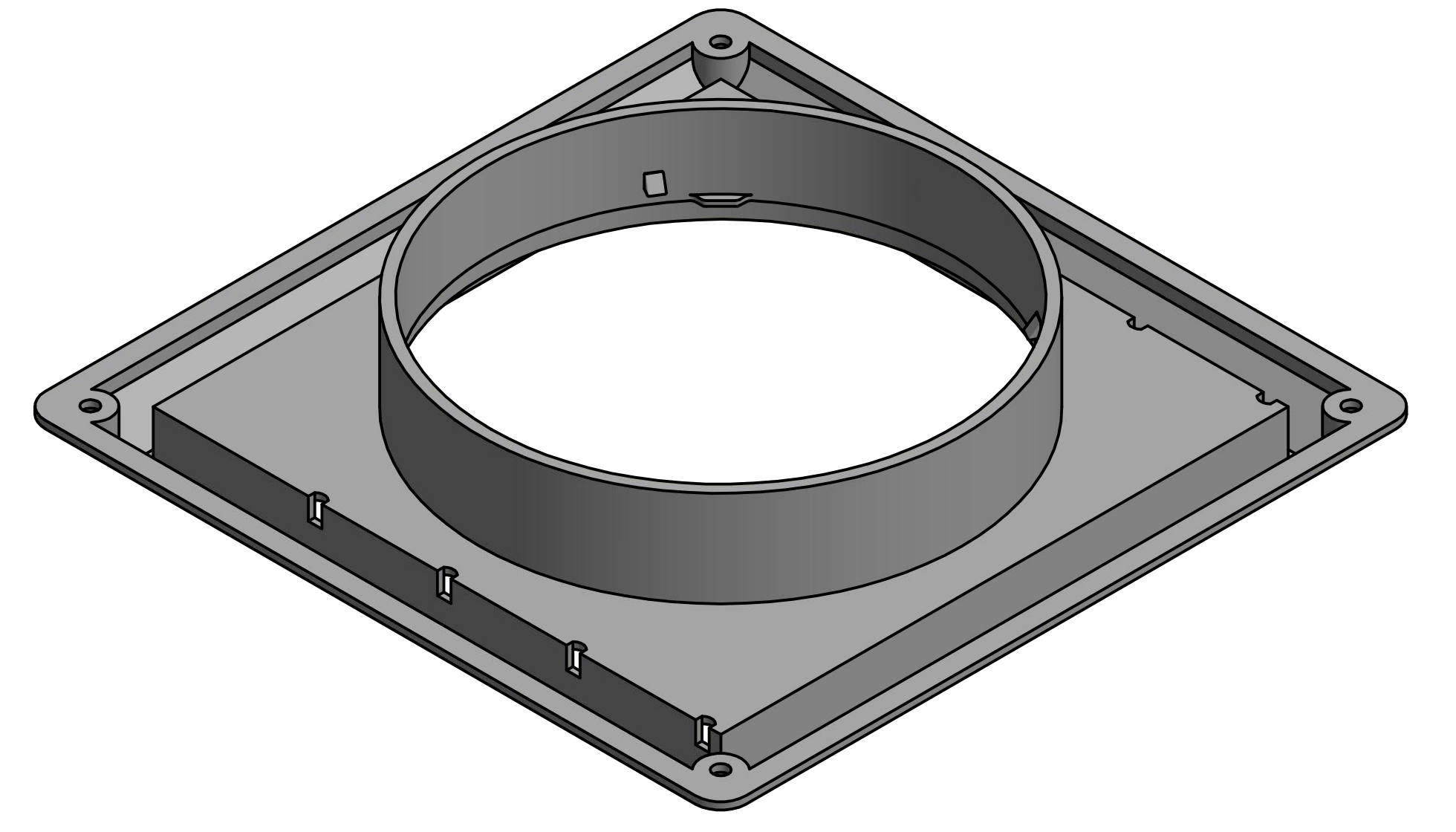
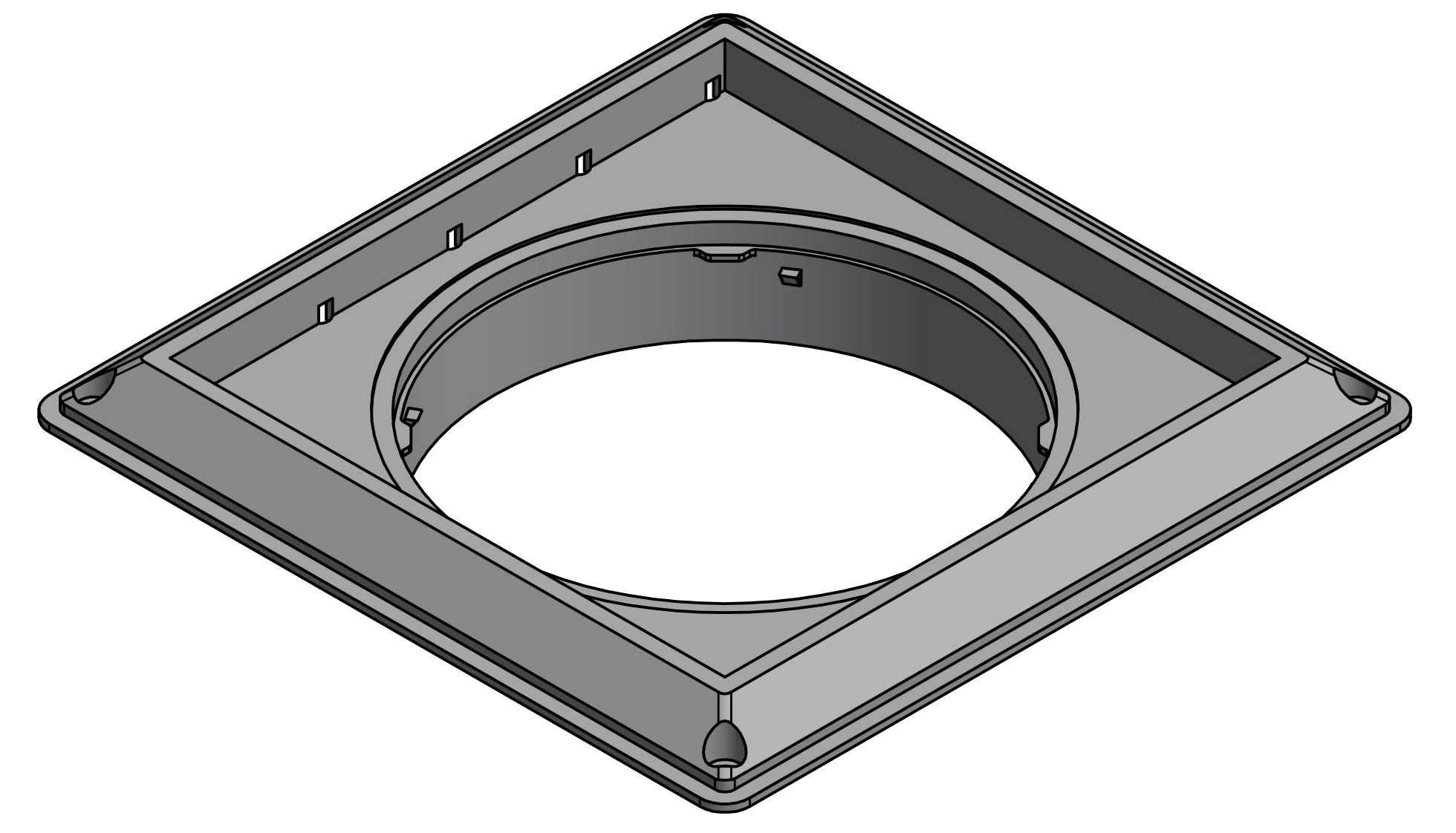
MATERIAL: 24-GAUGE ALUMINUM



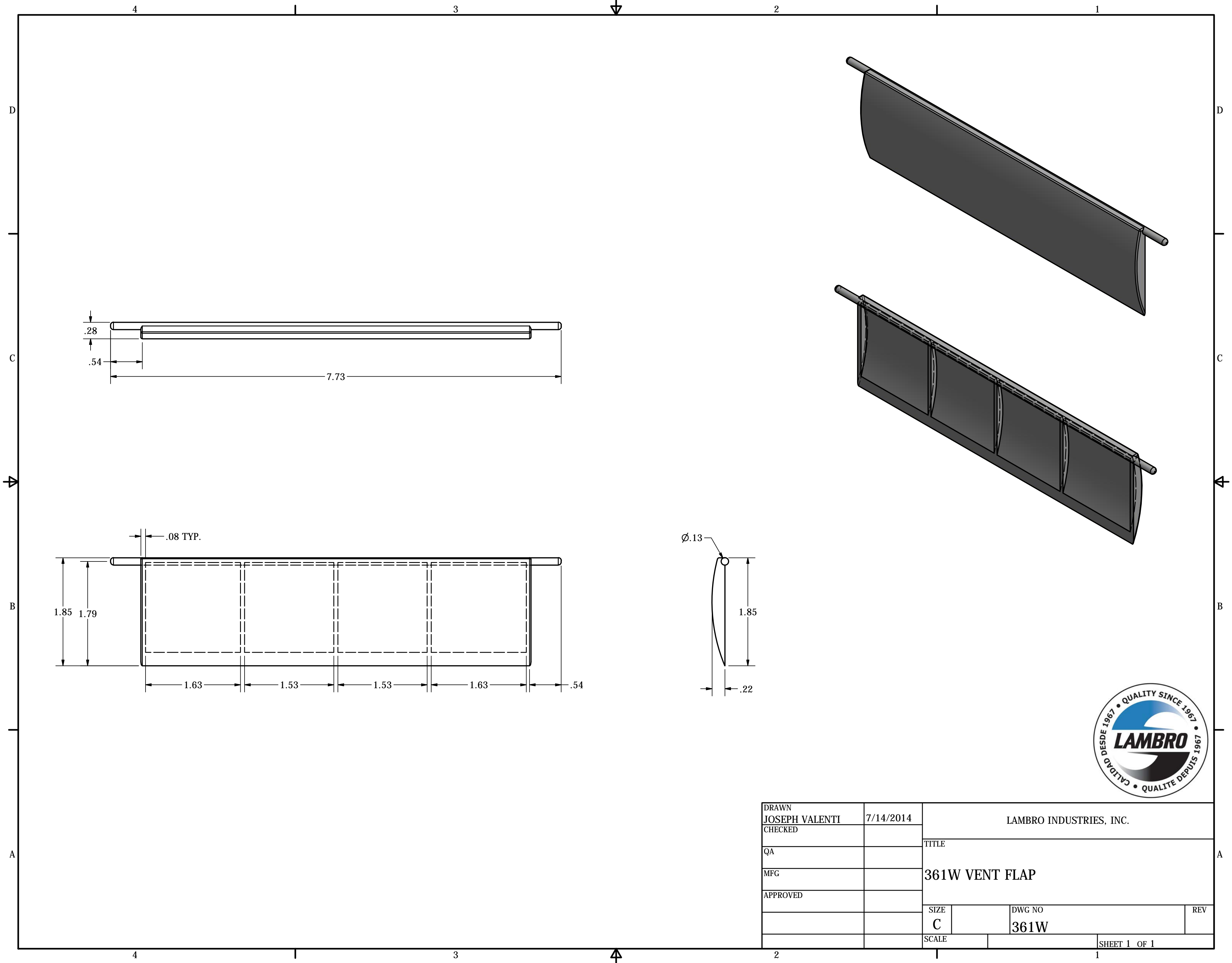
DRAWN J. VALENTI	3/23/2015	LAMBRO INDUSTRIES, INC.		
CHECKED		TITLE		
QA		TUBE		
MFG		SIZE	DWG NO	REV
APPROVED		C	361WTP TUBE	
		SCALE	SHEET 1 OF 1	



DETAIL A



DRAWN	JOSEPH VALENTI	7/14/2014	LAMBRO INDUSTRIES, INC.		
CHECKED			TITLE		
QA			36W1 DRYER VENT BASE		
MFG			SIZE	DWG NO	REV
APPROVED			D	361W	
			SCALE	SHEET 1 OF 1	



DRAWN JOSEPH VALENTI		7/14/2014		LAMBRO INDUSTRIES, INC.	
CHECKED				TITLE	
QA				361W VENT FLAP	
MFG					
APPROVED					
		SIZE	DWG NO	REV	
		C	361W		
		SCALE	SHEET 1 OF 1		