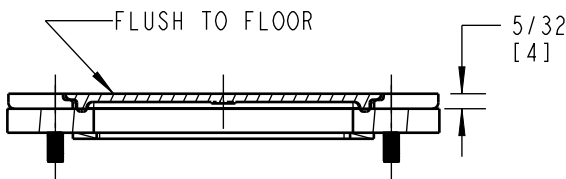
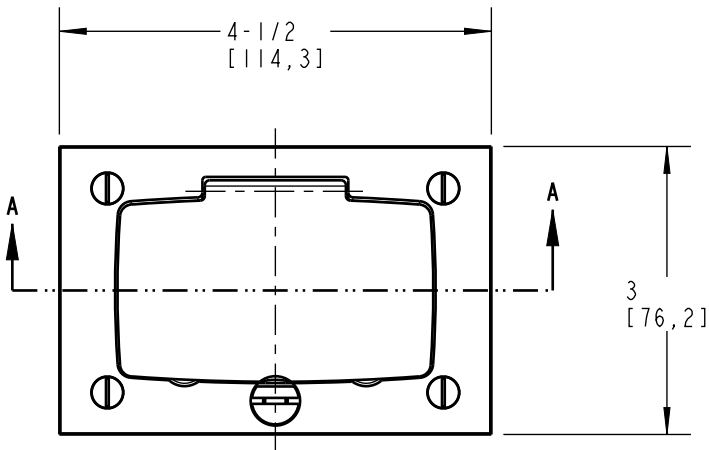
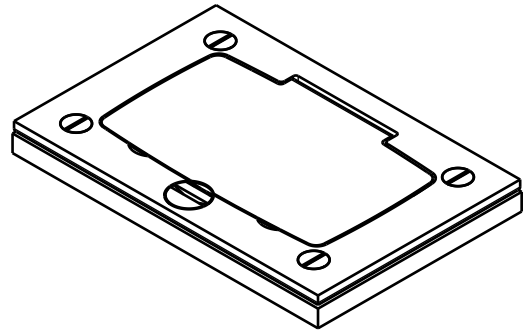


CATALOG NUMBERS:
P64-GFCI, P64-GFCI-AL



SECTION A-A

FEATURES:

1. FOR USE WITH 61W, 62W, 63W, 640, 640P, 740 AND 840 SERIES FLOOR BOXES
2. AVAILABLE IN SOLID BRASS AND ALUMINUM MATERIAL
3. FURNISHED WITH SEALING GASKET AND MATCHING 8-32 X 7/16" FLATHEAD SCREWS

CATALOG NUMBERS	MATERIAL	FINISH
P64-GFCI	SOLID BRASS	BRASS
P64-GFCI-AL	ALUMINUM	ALUMINUM

GENERAL NOTES

1. ALL DIMENSIONS ARE FOR REFERENCE ONLY.
2. DIMENSIONS IN BRACKETS [] ARE IN METRIC UNITS.

REVISIONS

A SEE ECN (****) FOR APPROVAL SIGNATURES & RELEASE DATE.
PROJECT NO: ****

www.tnb.com

DESCRIPTION:

**P64-GFCI, P64-GFCI-AL
COVER PLATE, GFCI**

Thomas & Betts
A Member of the ABB Group

ORIGINAL PROJECT NO / ECN NO

003V001056 / ECN000083908

SHEET NO:

1 OF 1

REV. NO:

A

DRAWING NO:

WSD-002613